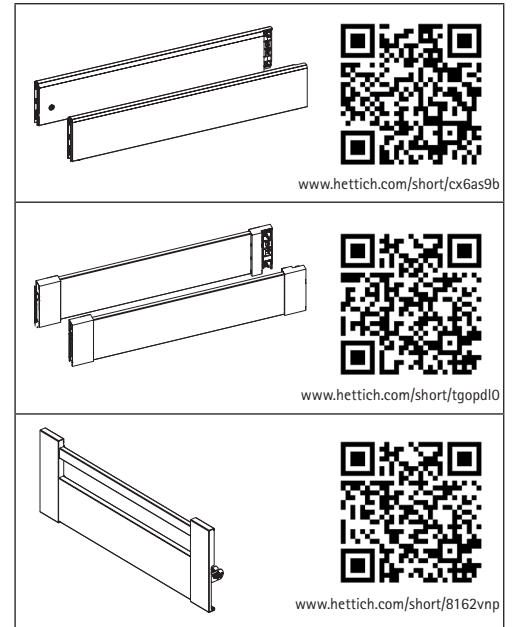
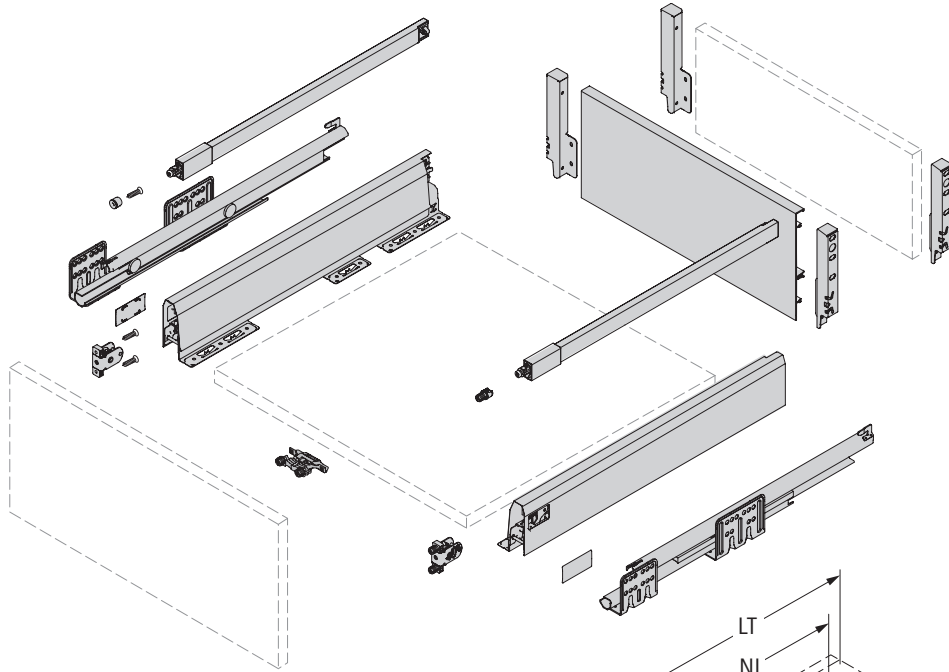


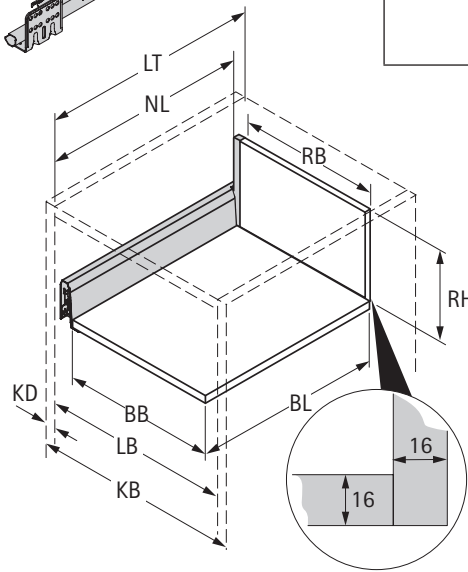
FAQ



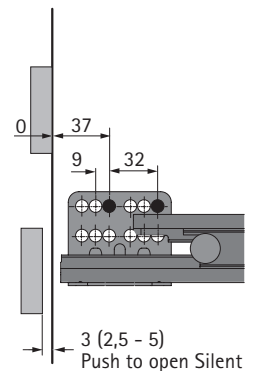
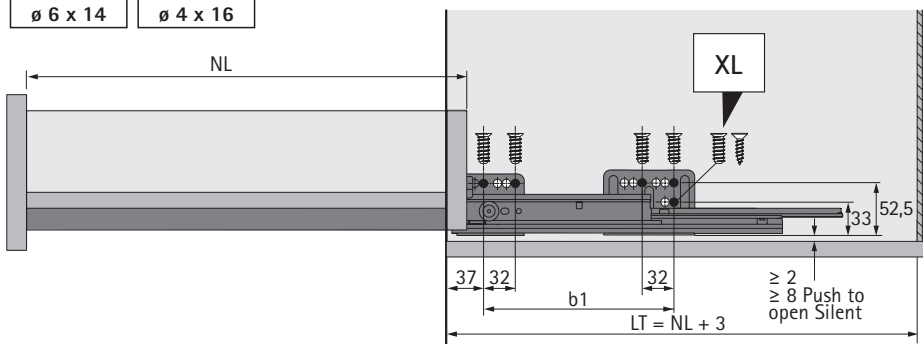
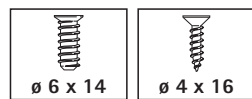
www.hettich.com/short/b6df84

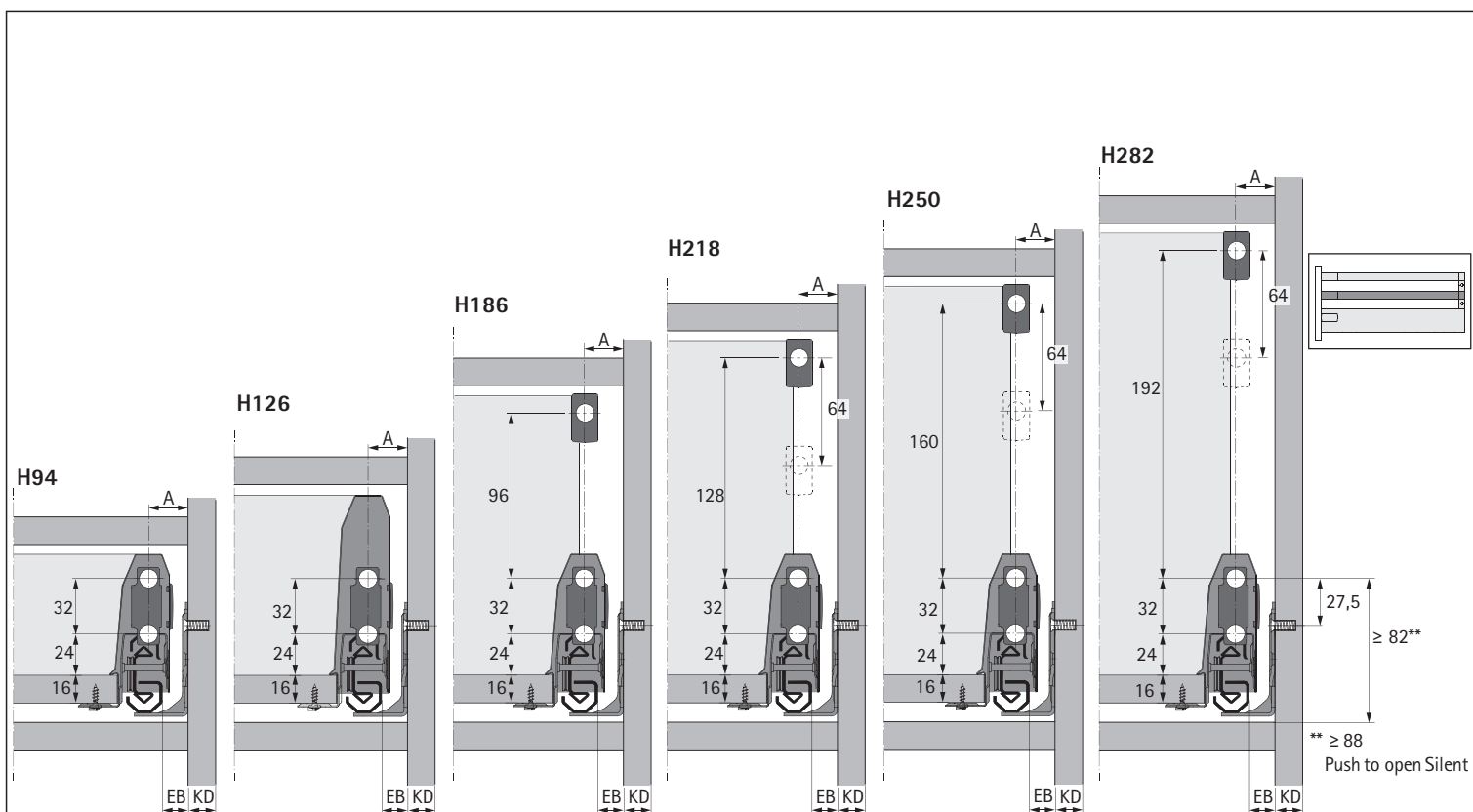
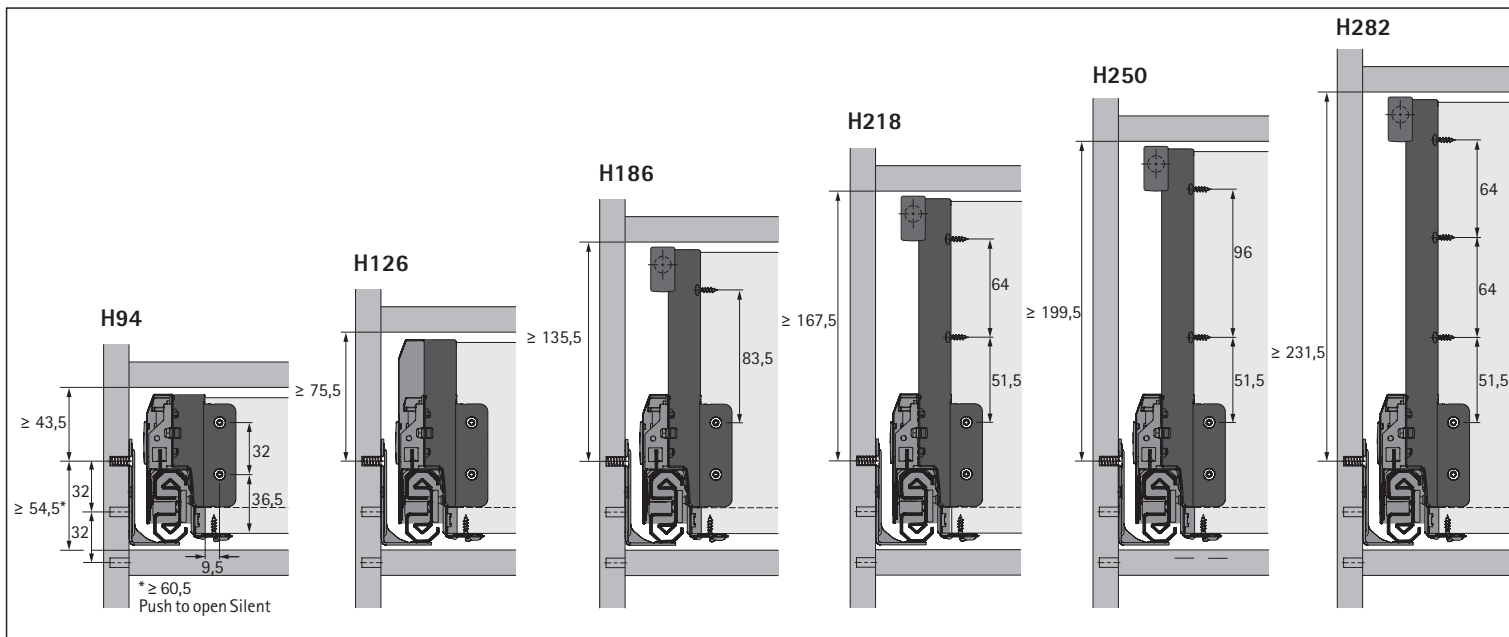
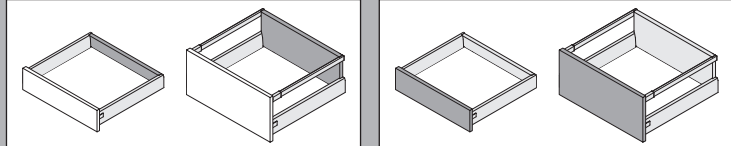


BL	NL - 24,5 mm
BB	LB - 2 x EB - 52,5 mm
RB	LB - 2 x EB - 64 mm
RH H94	84,5 mm
RH H126	116,5 mm
RH H186	176 mm
RH H218	208 mm
RH H250	240 mm
RH H282	272 mm



NL mm	b1 mm
270	128
300	160
350	192
400	192
450	192
500	224
550	256
650	288





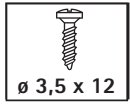
KD mm	16	18	19
EB mm	15	13	12
A mm	23	21	20

	H218	H250	H282
H94	✓	✓	✓
H126	✗	✓	✓

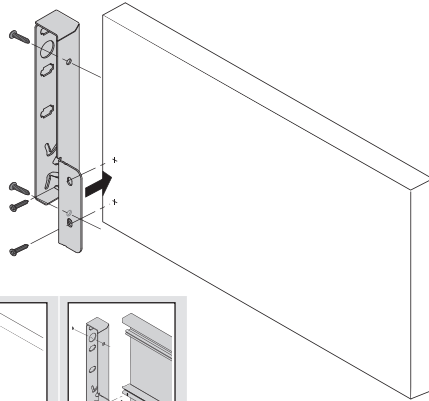
1



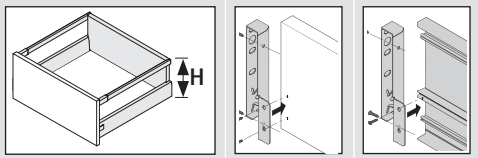
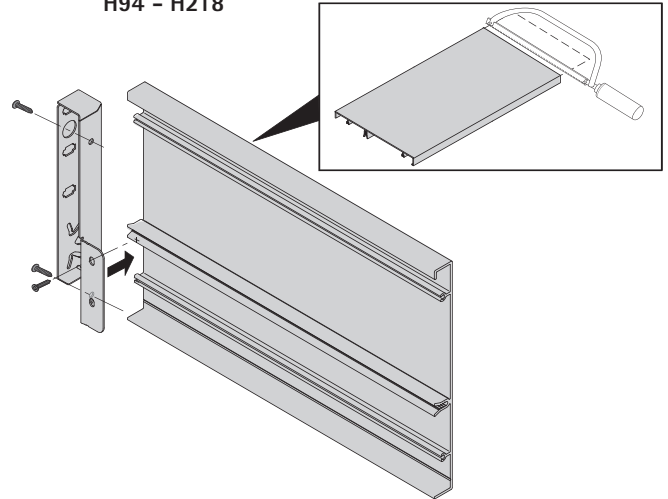
www.hettich.com/short/wv9hk6n



H94 - H282

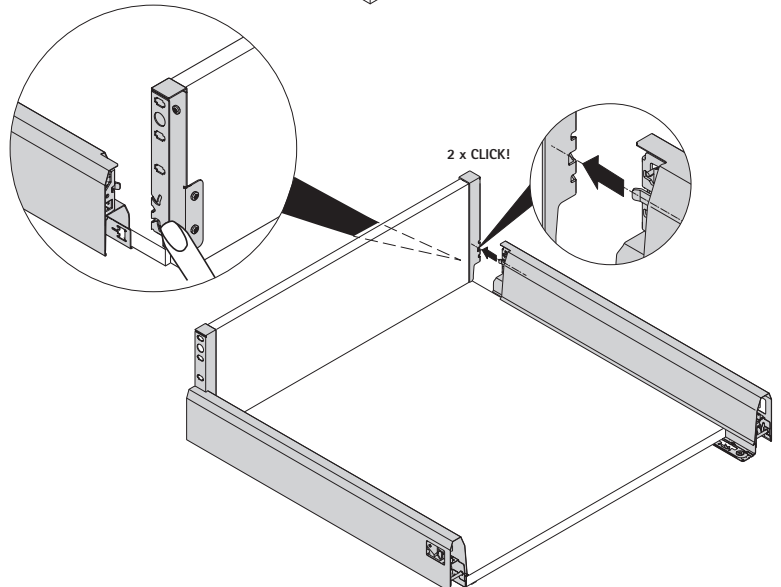
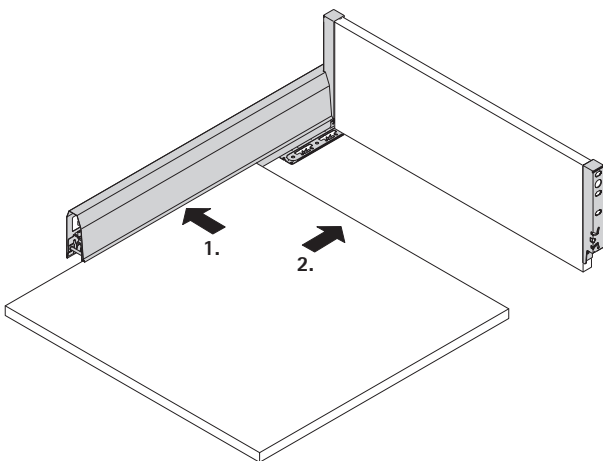
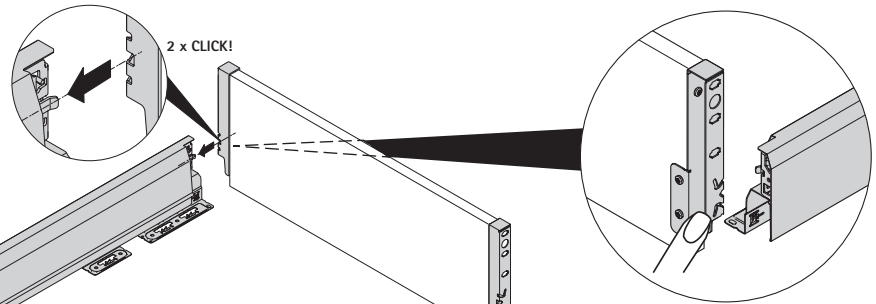


H94 - H218

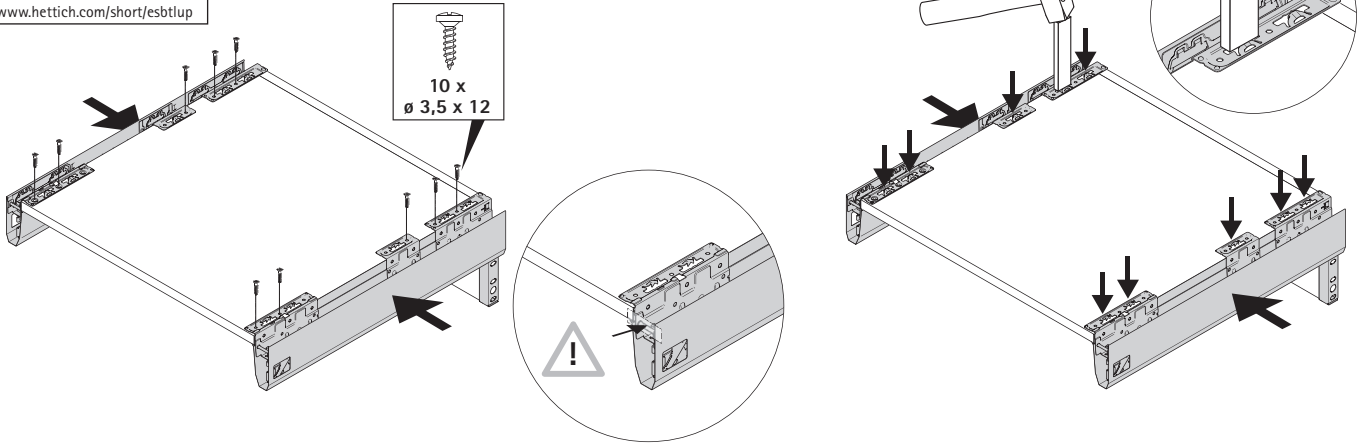


94	4	4
126	4	4
186	8	6
218	10	8
250	10	-
282	12	-

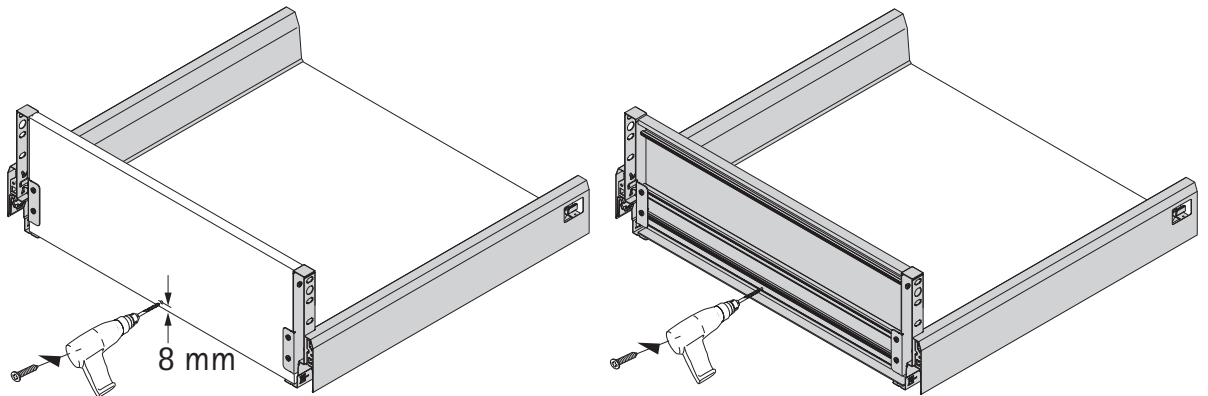
2





3

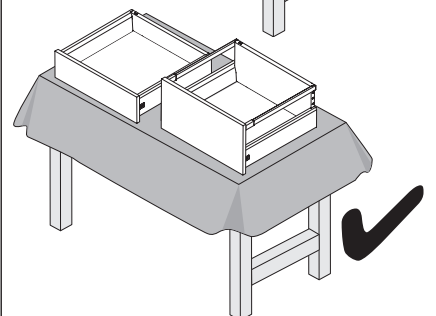
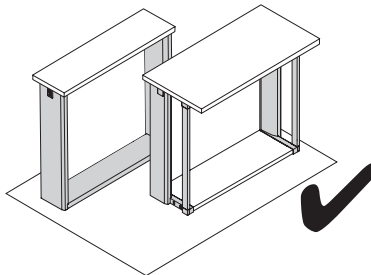
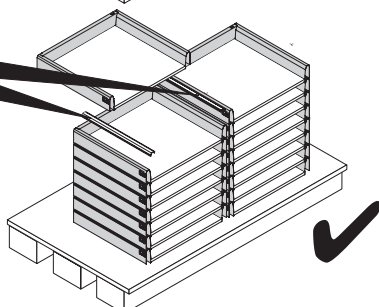
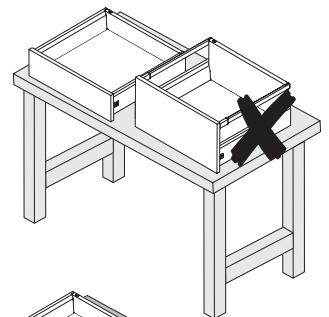
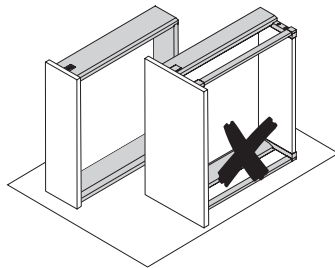
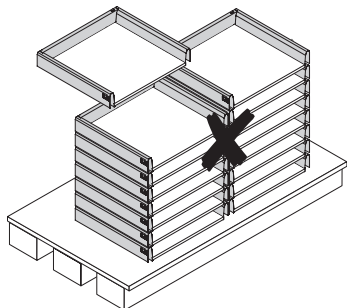


4



	
< 600 mm	1x
≥ 600 mm	2x
≥ 900 mm	3x
= 1200 mm	4x

i

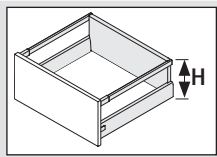
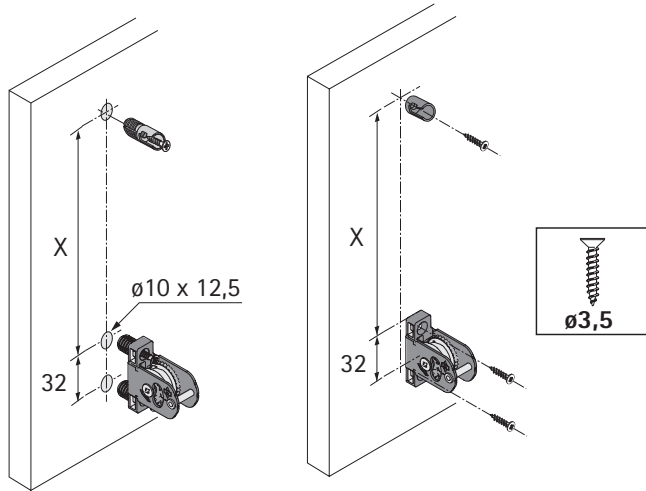
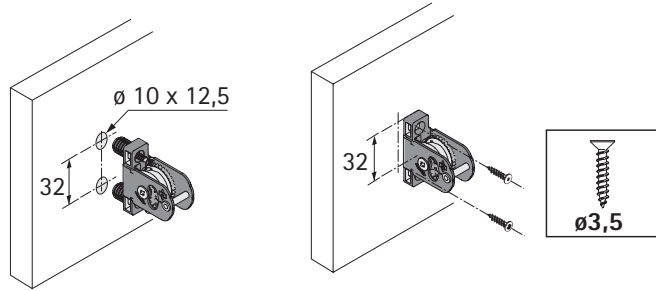


 9 153 351

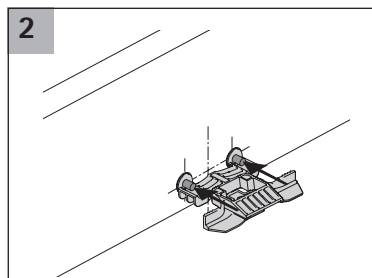
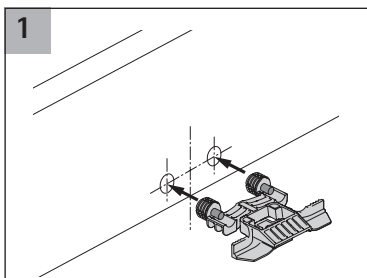
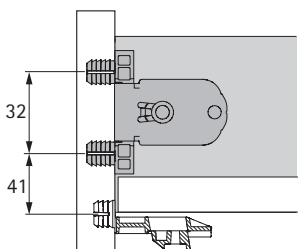
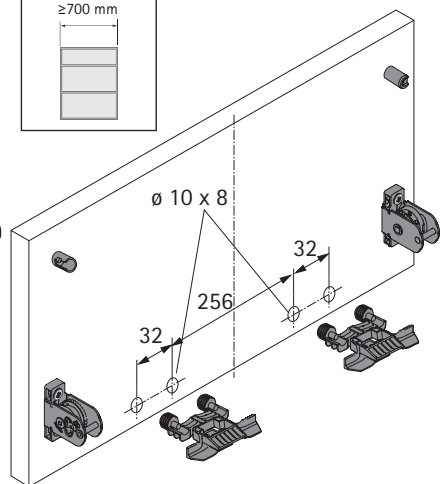
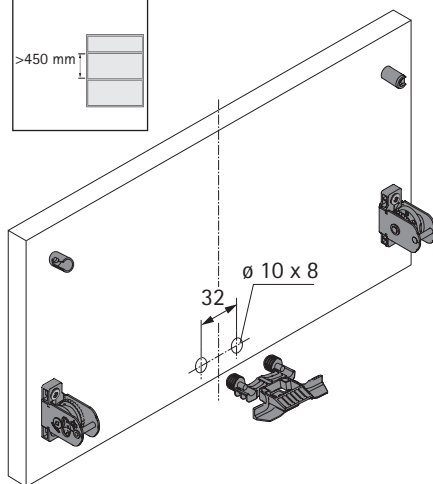
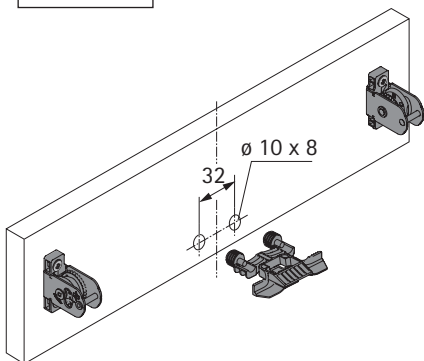
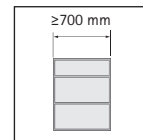
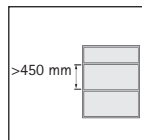
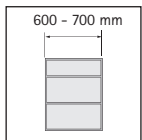
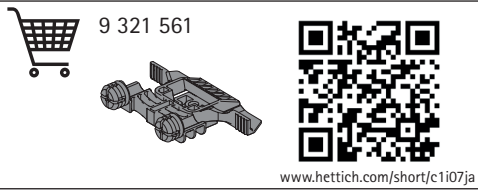


www.hettich.com/short/0brj782

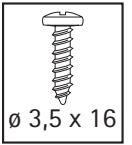
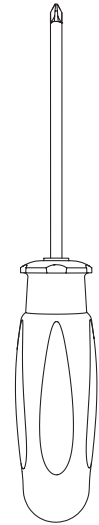
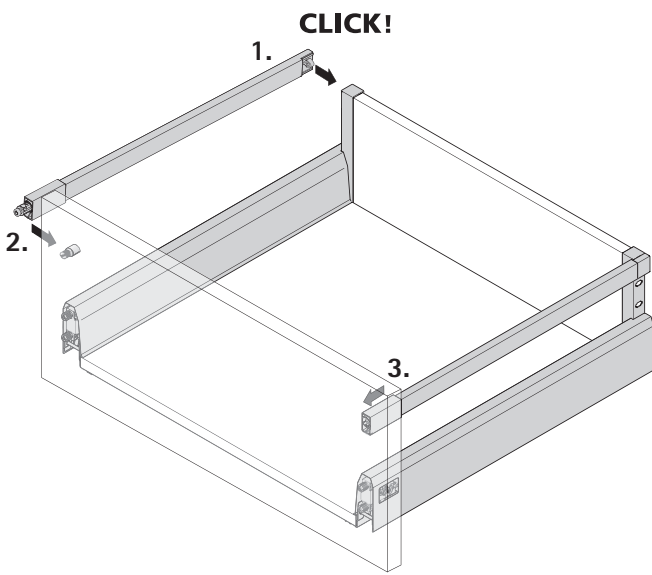
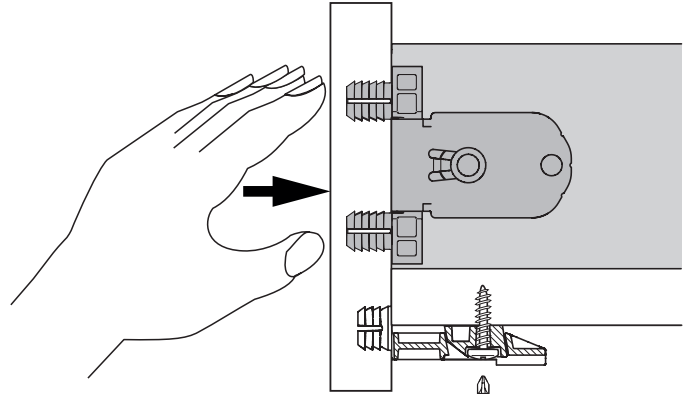
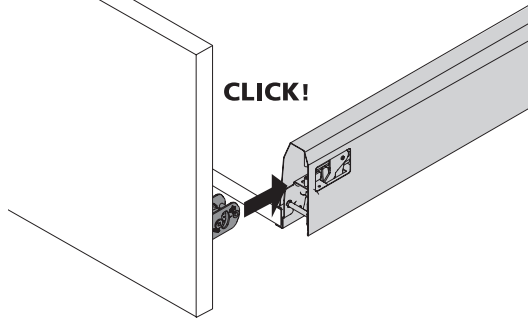
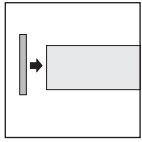
5



	X
186	96
218	128
250	160
282	192



6



i

