

443 □ P2 S □ □ 2

- 07
 - 08
 - 09
 - 10
 - 11
 - 12
 - 13
 - 14
 - 15
 - 16
- H_{cm}**

- 0
- 1
- 2
- 3
- 4
- 5



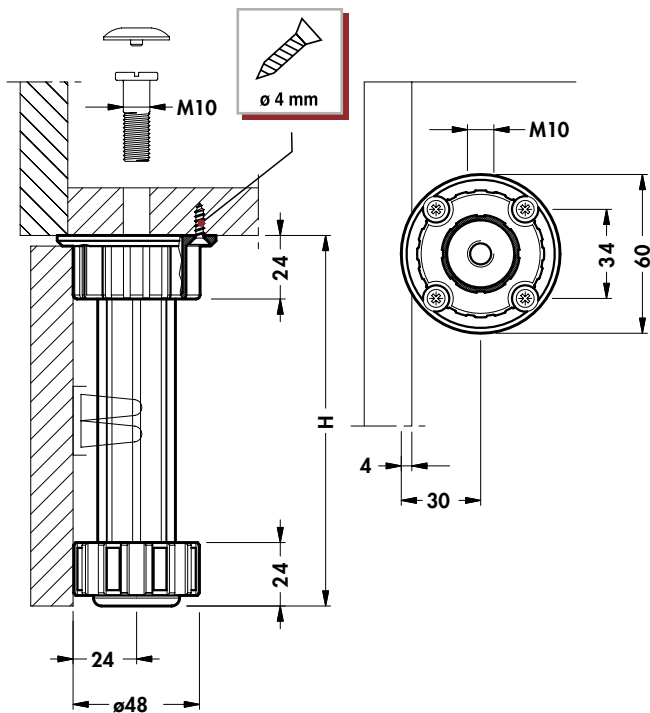
+15mm
0mm

Ø28mm

ABS

800 **H_{cm}** 08-10-12-15

1600 **H_{cm}** 07-09-11-13-14-16



9		1	868 00 Z1 S1 00		666
		2	868 00 Z1 S2 00		666
		3	868 00 Z1 S3 00		667

9		1	810 37 01 00 00		656
		2	810 37 02 00 00		656
		4	810 37 04 00 00		656
		5	810 37 55 00 00		656

9		202	203	204	225
		600	601	602	606
		H 10-16	H 8-16	H 11-16	H 8-16
		226	228	230	235
		607-609	611	612-613	614
		H 8-16	H 8-16		