

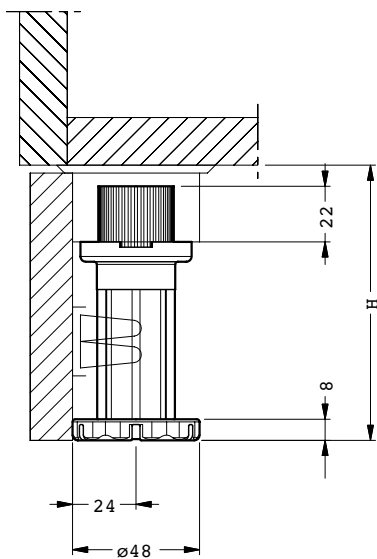
# 455 □ P2 0Z 02

05 = 5,0  
 A5 = 5,5  
 06 = 6,0  
 A6 = 6,5  
 07 = 7,0  
 A7 = 7,5  
 08 = 8,0  
**H<sub>cm</sub>**



+20mm 0mm			Ø28mm
	ABS		

800



2			<b>840</b> 181-219	<del>840 00 P2 N0 00</del>	<del>840 00 P2 Q8 00</del>	<del>840 00 P2 W3 00</del>
				H 5-6,5		
2			<b>840</b> 181-219	H 7-8		
9			<b>203</b> 601	<b>225</b> 606	<b>226</b> 607-609	<b>228</b> 611
			H 7,5-8	H 6-8	H 7,5-8	H 7,5-8
			<b>230</b> 612-613	<b>235</b> 614	H	