

Fitting systems for organisation with storage units

- ▶ Cabinet depth 400 mm
- ▶ Quadro Duplex drawer runners

Quadro Duplex 60 drawer runner



- ▶ With differential roller
- ▶ Approx. 33 mm over extension runner
- ▶ 60 kg load capacity to EN 15338, Level 2
- ▶ Galvanised steel

Minimum front panel height for 32 mm hole line:

- ▶ Max. front panel height 5 HE (320 mm)
- ▶ Min. front panel height 2 HE (128 mm) for wide drawer and hanging file frame

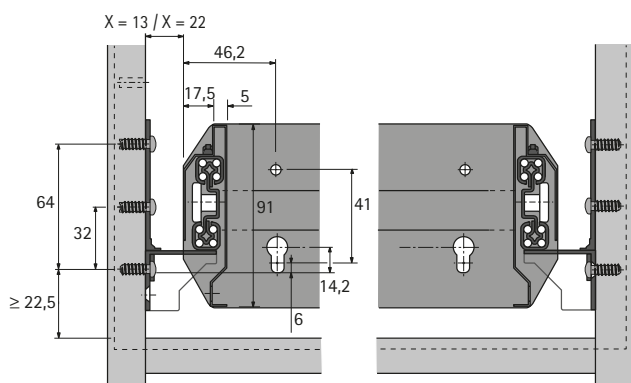
Important advice:

- ▶ Stop Control and Stop Control Plus locking bars must be ordered separately
- ▶ Housing with or without self closing / Push to open must be ordered separately

Quadro Duplex 60 drawer runner (pair)

Design	Cabinet side	Min. installed depth mm	Order no.	PU
For cabinet body construction, dimension X = 13 mm	left / right	372	9 078 681	1 pair
For wall-to-wall construction, dimension X = 22 mm	left / right	372	9 078 694	1 pair

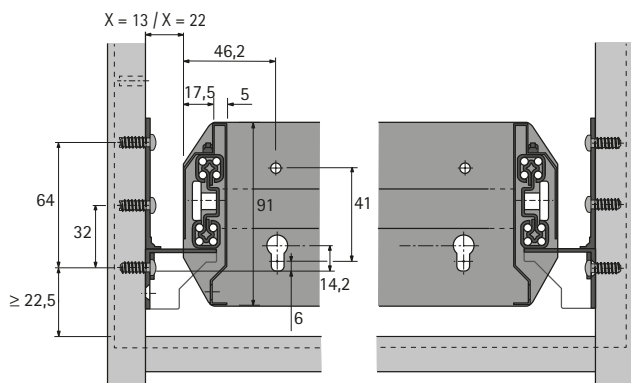
Design: Quadro Duplex with infinitely adjustable hanging file frame / wide drawer



- ▶ Cabinet body dimensions for Quadro Duplex with hanging file frame / wide drawer

Frame width AB mm	Installed width EB mm, for cabinet body construction, dimension X = 13 mm	Installed width EB mm for wall-to-wall construction, dimension X = 22 mm
371	397	415
536	562	580
736	762	780
836	862	880
936	962	980
1136	1162	1180

Quadro Duplex design with infinitely adjustable hanging file frame



- ▶ Cabinet body dimensions for Quadro Duplex with infinitely adjustable hanging file frame

Frame width AB mm	Installed width EB mm for cabinet body construction, dimension X = 13 mm	Installed width EB mm for wall-to-wall construction, dimension X = 22 mm
368 - 540	394 - 566	412 - 584
700 - 872	726 - 872	744 - 916
866 - 1038	892 - 1038	910 - 1082
1032 - 1204	1058 - 1230	1076 - 1248

Advice

- ▶ Locking bar 1207, 1209
- ▶ Housing 1165



hettich.com/short/1fd404