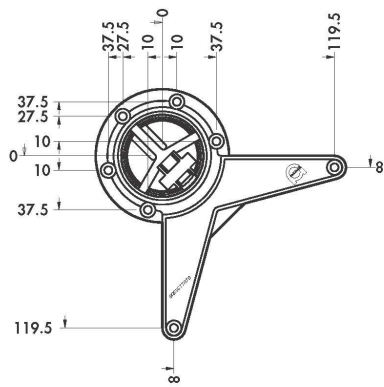


620

Ø80mm +30mm
0mm

C1 - IX - NS - ST - 01 - 02 - 11 - 13
15 - 19 - 64 - 71 - 77

259



364



- 1 x
- 1 x
- 7 x
- 1 x

620 □ □ 01 CN

70
82
87
Hcm



8 8

620 □ □ 01 RN

69
70
82
87
Hcm



12 12

- 4 x
- 4 x
- 28 x
- 1 x

620 □ □ 04 RN

69
70
82
87
Hcm



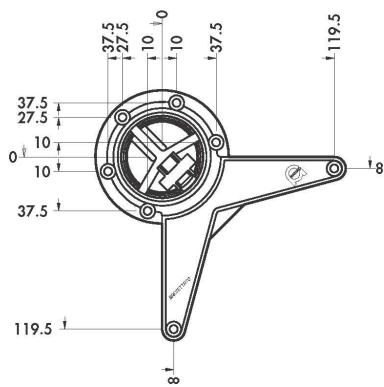
3 3

620 ALUMINA

Ø80mm +30mm
0mm



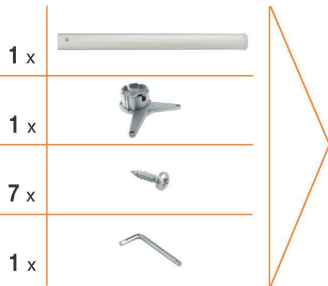
259



364



620 □ □ 01 RG

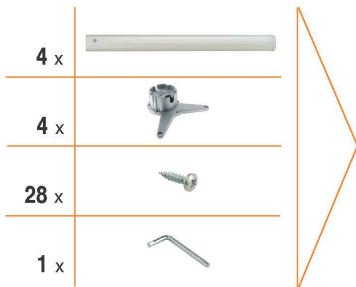


69
70
82
87
Hcm



12 12

620 □ □ 04 RG



69
70
82
87
Hcm



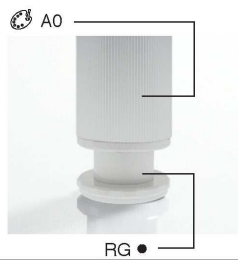
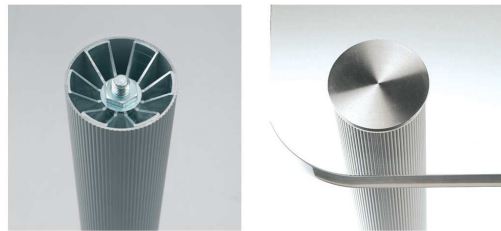
3 3

620 Crystal

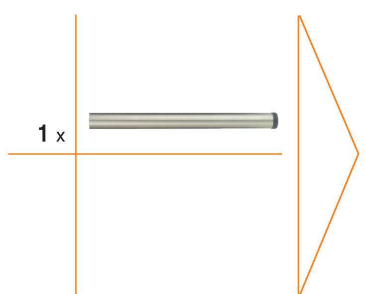
Ø80mm +30mm
0mm

A0 - C1 - IX - ST

259



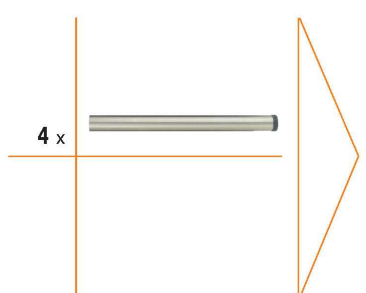
7  812 00 IX 00 80  441



620 72  E1 
Hcm  RG ●
RN ▲



 12  120  12



620 72  E4 
Hcm  RG ●
RN ▲



 3  30  3