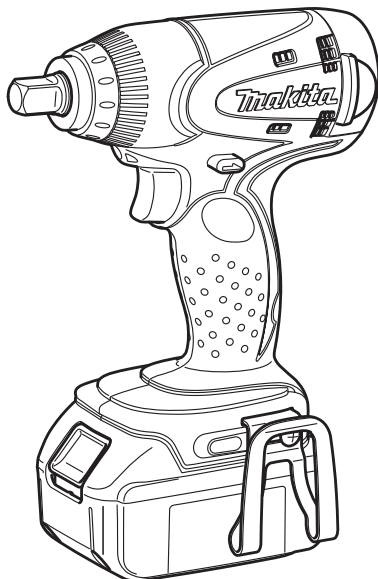
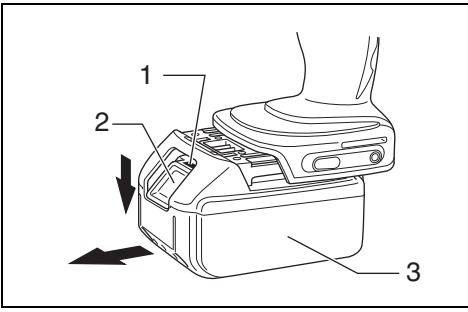




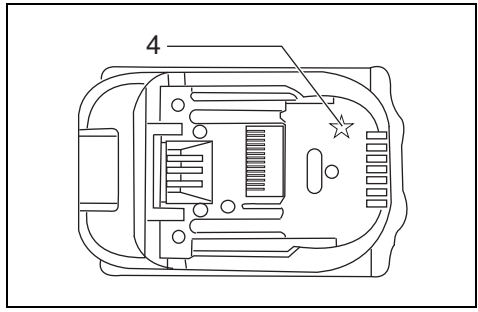
GB	Cordless Impact Wrench	Instruction Manual
F	Boulonneuse sans fil	Manuel d'instructions
D	Akku-Schlagschrauber	Betriebsanleitung
I	Avvitatrice ad impulso a batteria	Istruzioni per l'uso
NL	Snoerloze slagmoersleutel	Gebruiksaanwijzing
E	Llave de impacto a batería	Manual de instrucciones
P	Chave de impacto a bateria	Manual de instruções
DK	Elektronisk akku slag nøgle	Brugsanvisning
GR	Ασύρματο κροστικό κλειδί	Οδηγίες χρήσεως

DTW250
DTW251

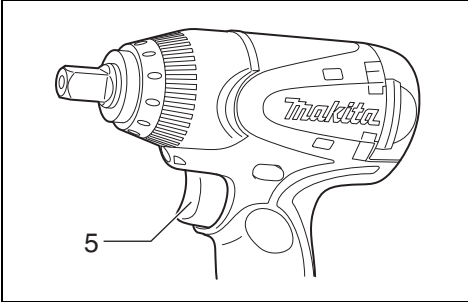




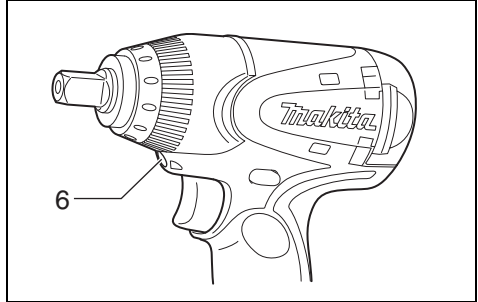
1 012090



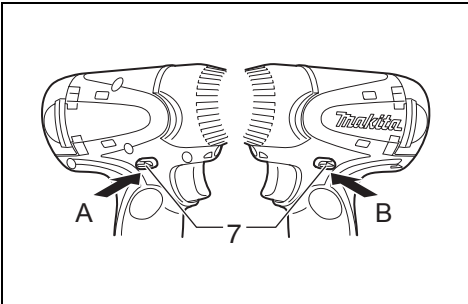
2 012128



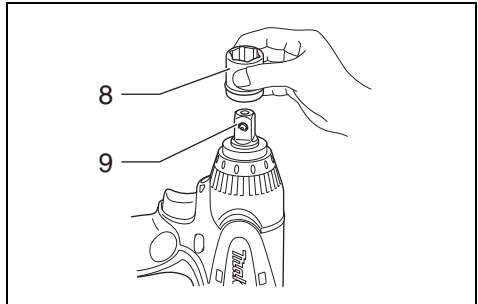
3 007452



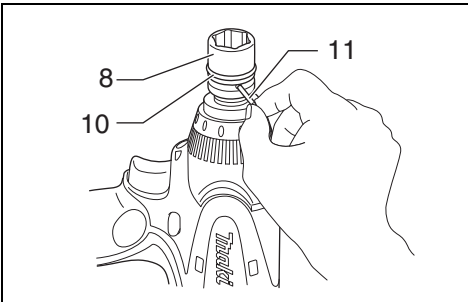
4 007462



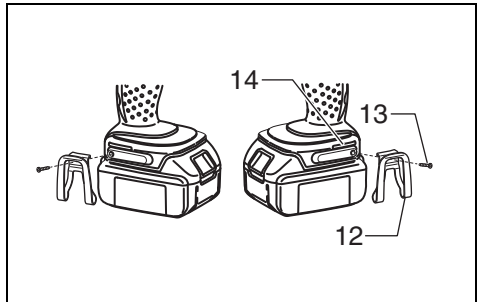
5 007453



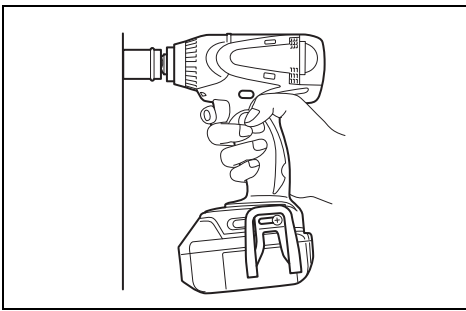
6 007455



7 007454

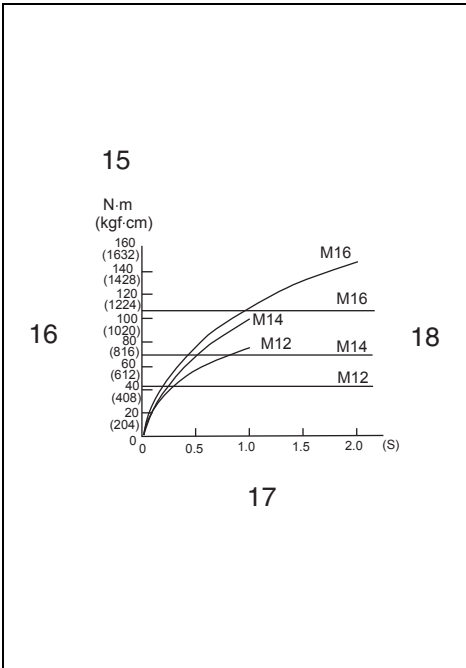


8 007521



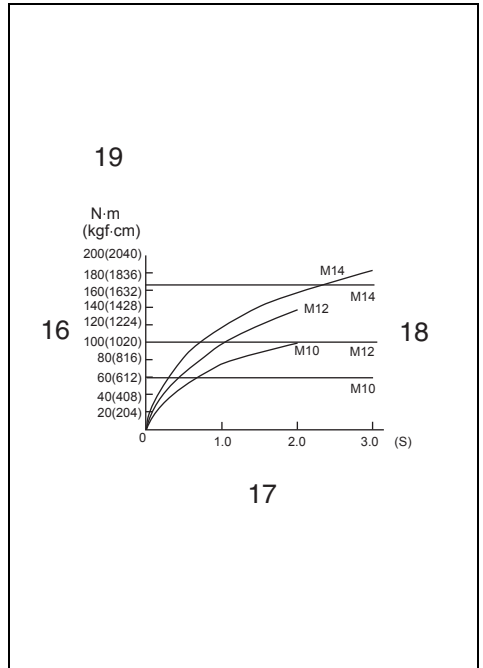
9

007461



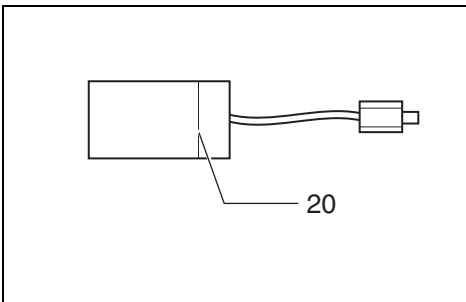
10

007536



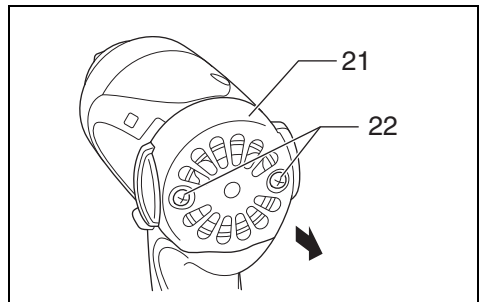
11

007535



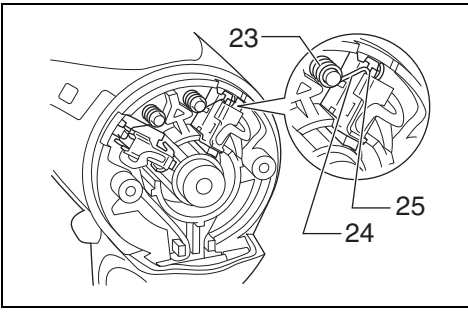
12

006258



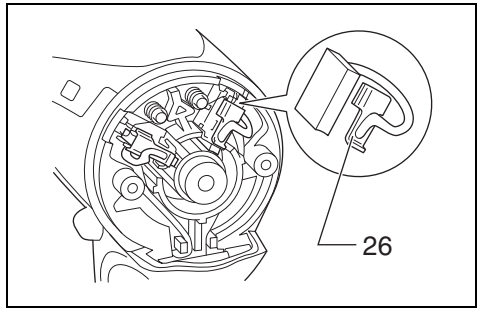
13

007458



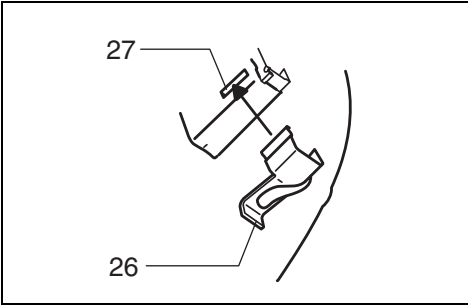
14

007459



15

007460



16

006304

Explanation of general view

1 Red indicator	10 O-ring	19 High tensile bolt
2 Button	11 Pin	20 Limit mark
3 Battery cartridge	12 Hook	21 Rear cover
4 Star marking	13 Screw	22 Screws
5 Switch trigger	14 Groove	23 Spring
6 Lamp	15 Standard bolt	24 Arm
7 Reversing switch lever	16 Fastening torque	25 Recessed part
8 Socket	17 Fastening time	26 Carbon brush cap
9 Anvil	18 Proper fastening torque	27 Hole

SPECIFICATIONS

Model		DTW250	DTW251
Capacities	Standard bolt	M10 – M16	M10 – M16
	High tensile bolt	M10 – M14	M10 – M14
Square drive		12.7 mm	12.7 mm
No load speed (min ⁻¹)		0 – 2,200	0 – 2,100
Impacts per minute		0 – 3,200	0 – 3,200
Max. fastening torque		230 N•m	230 N•m
Overall length		165 mm	165 mm
Net weight		1.6 kg	1.5 kg
Rated voltage		D.C. 14.4 V	D.C. 18 V

- Due to our continuing program of research and development, the specifications herein are subject to change without notice.
- Specifications and battery cartridge may differ from country to country.
- Weight, with battery cartridge, according to EPTA-Procedure 01/2003

ENE036-1

Intended use

The tool is intended for fastening bolts and nuts.

GEA010-1

General Power Tool Safety Warnings

⚠ WARNING Read all safety warnings and all instructions. Failure to follow the warnings and instructions may result in electric shock, fire and/or serious injury.

ENC007-7

Save all warnings and instructions for future reference.

GEB049-2

CORDLESS IMPACT WRENCH SAFETY WARNINGS

1. **Hold power tool by insulated gripping surfaces, when performing an operation where the fastener may contact hidden wiring.** Fasteners contacting a “live” wire may make exposed metal parts of the power tool “live” and could give the operator an electric shock.
2. **Wear ear protectors.**
3. **Check the socket carefully for wear, cracks or damage before installation.**
4. **Hold the tool firmly.**

5. **Always be sure you have a firm footing. Be sure no one is below when using the tool in high locations.**
6. **The proper fastening torque may differ depending upon the kind or size of the bolt. Check the torque with a torque wrench.**

SAVE THESE INSTRUCTIONS.

WARNING:

DO NOT let comfort or familiarity with product (gained from repeated use) replace strict adherence to safety rules for the subject product. **MISUSE** or failure to follow the safety rules stated in this instruction manual may cause serious personal injury.

IMPORTANT SAFETY INSTRUCTIONS

FOR BATTERY CARTRIDGE

1. **Before using battery cartridge, read all instructions and cautionary markings on (1) battery charger, (2) battery, and (3) product using battery.**
2. **Do not disassemble battery cartridge.**
3. **If operating time has become excessively shorter, stop operating immediately. It may result in a risk of overheating, possible burns and even an explosion.**
4. **If electrolyte gets into your eyes, rinse them out with clear water and seek medical attention right away. It may result in loss of your eyesight.**

5. **Do not short the battery cartridge:**
 - (1) **Do not touch the terminals with any conductive material.**
 - (2) **Avoid storing battery cartridge in a container with other metal objects such as nails, coins, etc.**
 - (3) **Do not expose battery cartridge to water or rain.**
A battery short can cause a large current flow, overheating, possible burns and even a breakdown.
6. **Do not store the tool and battery cartridge in locations where the temperature may reach or exceed 50°C (122°F).**
7. **Do not incinerate the battery cartridge even if it is severely damaged or is completely worn out. The battery cartridge can explode in a fire.**
8. **Be careful not to drop or strike battery.**
9. **Do not use a damaged battery.**

SAVE THESE INSTRUCTIONS.

Tips for maintaining maximum battery life

1. **Charge the battery cartridge before completely discharged.**
Always stop tool operation and charge the battery cartridge when you notice less tool power.
2. **Never recharge a fully charged battery cartridge. Overcharging shortens the battery service life.**
3. **Charge the battery cartridge with room temperature at 10°C – 40°C (50°F – 104°F). Let a hot battery cartridge cool down before charging it.**
4. **Charge the battery cartridge once in every six months if you do not use it for a long period of time.**

FUNCTIONAL DESCRIPTION

CAUTION:

- Always be sure that the tool is switched off and the battery cartridge is removed before adjusting or checking function on the tool.

Installing or removing battery cartridge (Fig. 1)

- Always switch off the tool before installing or removing of the battery cartridge.
- To remove the battery cartridge, slide it from the tool while sliding the button on the front of the cartridge.
- To install the battery cartridge, align the tongue on the battery cartridge with the groove in the housing and slip it into place. Always insert it all the way until it locks in place with a little click. If you can see the red indicator on the upper side of the button, it is not locked completely. Install it fully until the red indicator cannot be seen. If not, it may accidentally fall out of the tool, causing injury to you or someone around you.
- Do not use force when installing the battery cartridge. If the cartridge does not slide in easily, it is not being inserted correctly.

Battery protection system (Lithium-ion battery with star marking) (Fig. 2)

Lithium-ion batteries with a star marking are equipped with a protection system. This system automatically cuts off power to the tool to extend battery life. The tool will automatically stop during operation if the tool and/or battery are placed under one of the following conditions:

- **Overloaded:**
 The tool is operated in a manner that causes it to draw an abnormally high current.
 In this situation, release the trigger switch on the tool and stop the application that caused the tool to become overloaded. Then pull the trigger switch again to restart.
 If the tool does not start, the battery is overheated. In this situation, let the battery cool before pulling the trigger switch again.
- **Low battery voltage:**
 The remaining battery capacity is too low and the tool will not operate. In this situation, remove and recharge the battery.

Switch action (Fig. 3)

CAUTION:

- Before inserting the battery cartridge into the tool, always check to see that the switch trigger actuates properly and returns to the “OFF” position when released.

To start the tool, simply pull the switch trigger. Tool speed is increased by increasing pressure on the switch trigger. Release the switch trigger to stop.

Lighting up the front lamp (Fig. 4)

CAUTION:

- Do not look in the light or see the source of light directly.

Pull the switch trigger to light up the lamp. The lamp keeps on lighting while the switch trigger is being pulled. The light automatically goes out 10 – 15 seconds after the switch trigger is released.

NOTE:

- Use a dry cloth to wipe the dirt off the lens of lamp. Be careful not to scratch the lens of lamp, or it may lower the illumination.

Reversing switch action (Fig. 5)

This tool has a reversing switch to change the direction of rotation. Depress the reversing switch lever from the A side for clockwise rotation or from the B side for counter-clockwise rotation.

When the reversing switch lever is in the neutral position, the switch trigger cannot be pulled.

CAUTION:

- Always check the direction of rotation before operation.
- Use the reversing switch only after the tool comes to a complete stop. Changing the direction of rotation before the tool stops may damage the tool.
- When not operating the tool, always set the reversing switch lever to the neutral position.

ASSEMBLY

CAUTION:

- Always be sure that the tool is switched off and the battery cartridge is removed before carrying out any work on the tool.

Selecting correct socket

Always use the correct size socket for bolts and nuts. An incorrect size socket will result in inaccurate and inconsistent fastening torque and/or damage to the bolt or nut.

Installing or removing socket (Fig. 6 & 7)

1. For socket without O-ring and pin
To install the socket, push it onto the anvil of the tool until it locks into place.
To remove the socket, simply pull it off.
2. For socket with O-ring and pin
Move the O-ring out of the groove in the socket and remove the pin from the socket. Fit the socket onto the anvil of the tool so that the hole in the socket is aligned with the hole in the anvil. Insert the pin through the hole in the socket and anvil. Then return the O-ring to the original position in the socket groove to retain the pin. To remove the socket, follow the installation procedures in reverse.
2. Socket
 - Failure to use the correct size socket will cause a reduction in the fastening torque.
 - A worn socket (wear on the hex end or square end) will cause a reduction in the fastening torque.
3. Bolt
 - Even though the torque coefficient and the class of bolt are the same, the proper fastening torque will differ according to the diameter of the bolt.
 - Even though the diameters of bolts are the same, the proper fastening torque will differ according to the torque coefficient, the class of bolt and the bolt length.
4. The use of the universal joint or the extension bar somewhat reduces the fastening force of the impact wrench. Compensate by fastening for a longer period of time.
5. The manner of holding the tool or the material of driving position to be fastened will affect the torque.
6. Operating the tool at low speed will cause a reduction in the fastening torque.

Hook (Fig. 8)

The hook is convenient for temporarily hanging the tool. This can be installed on either side of the tool.

To install the hook, insert it into a groove in the tool housing on either side and then secure it with a screw. To remove, loosen the screw and then take it out.

OPERATION

CAUTION:

- Always insert the battery cartridge all the way until it locks in place. If you can see the red part on the upper side of the button, it is not locked completely. Insert it fully until the red part cannot be seen. If not, it may accidentally fall out of the tool, causing injury to you or someone around you.

Hold the tool firmly and place the socket over the bolt or nut. Turn the tool on and fasten for the proper fastening time. (Fig. 9)

The proper fastening torque may differ depending upon the kind or size of the bolt, the material of the workpiece to be fastened, etc. The relation between fastening torque and fastening time is shown in Fig. 10 and Fig. 11.

NOTE:

- Hold the tool pointed straight at the bolt or nut.
- Excessive fastening torque may damage the bolt/nut or socket. Before starting your job, always perform a test operation to determine the proper fastening time for your bolt or nut.
- If the tool is operated continuously until the battery cartridge has discharged, allow the tool to rest for 15 minutes before proceeding with a fresh battery cartridge.

The fastening torque is affected by a wide variety of factors including the following. After fastening, always check the torque with a torque wrench.

1. When the battery cartridge is discharged almost completely, voltage will drop and the fastening torque will be reduced.

2. Socket

- Failure to use the correct size socket will cause a reduction in the fastening torque.
- A worn socket (wear on the hex end or square end) will cause a reduction in the fastening torque.

3. Bolt

- Even though the torque coefficient and the class of bolt are the same, the proper fastening torque will differ according to the diameter of the bolt.
- Even though the diameters of bolts are the same, the proper fastening torque will differ according to the torque coefficient, the class of bolt and the bolt length.

4. The use of the universal joint or the extension bar somewhat reduces the fastening force of the impact wrench. Compensate by fastening for a longer period of time.

5. The manner of holding the tool or the material of driving position to be fastened will affect the torque.

6. Operating the tool at low speed will cause a reduction in the fastening torque.

MAINTENANCE

CAUTION:

- Always be sure that the tool is switched off and the battery cartridge is removed before attempting to perform inspection or maintenance.
- Never use gasoline, benzene, thinner, alcohol or the like. Discoloration, deformation or cracks may result.

Replacing carbon brushes

Replace when they wear down to the limit mark. Keep the carbon brushes clean and free to slip in the holders. Both carbon brushes should be replaced at the same time. Use only identical carbon brushes. (Fig. 12)

Use a screwdriver to remove two screws then remove the rear cover. (Fig. 13)

Raise the arm part of the spring and then place it in the recessed part of the housing with a slotted bit screwdriver of slender shaft or the like. (Fig. 14)

Use pliers to remove the carbon brush caps of the carbon brushes. Take out the worn carbon brushes, insert the new ones and replace the carbon brush caps in reverse. (Fig. 15 & 16)

Make sure that the carbon brush cap have fit into the holes in brush holders securely.

Reinstall the rear cover and tighten two screws securely.

To maintain product SAFETY and RELIABILITY, repairs, any other maintenance or adjustment should be performed by Makita Authorized Service Centers, always using Makita replacement parts.

OPTIONAL ACCESSORIES

CAUTION:

- These accessories or attachments are recommended for use with your Makita tool specified in this manual. The use of any other accessories or attachments might present a risk of injury to persons. Only use accessory or attachment for its stated purpose.

If you need any assistance for more details regarding these accessories, ask your local Makita Service Center.

- Sockets
- Extension bar
- Universal joint
- Bit adapter
- Various type of Makita genuine batteries and chargers

NOTE:

- Some items in the list may be included in the tool package as standard accessories. They may differ from country to country.

ENG905-1

Noise

The typical A-weighted noise level determined according to EN60745:

Model DTW250

Sound pressure level (L_{pA}): 90 dB (A)

Sound power level (L_{WA}): 101 dB (A)

Uncertainty (K): 3 dB (A)

Model DTW251

Sound pressure level (L_{pA}): 94 dB (A)

Sound power level (L_{WA}): 105 dB (A)

Uncertainty (K): 3 dB (A)

Wear ear protection

ENG900-1

Vibration

The vibration total value (tri-axial vector sum) determined according to EN60745:

Model DTW250

Work mode: impact tightening of fasteners of the maximum capacity of the tool

Vibration emission (a_h): 14.5 m/s²

Uncertainty (K): 1.5 m/s²

Model DTW251

Work mode: impact tightening of fasteners of the maximum capacity of the tool

Vibration emission (a_h): 11.0 m/s²

Uncertainty (K): 1.5 m/s²

ENG901-1

- The declared vibration emission value has been measured in accordance with the standard test method and may be used for comparing one tool with another.
- The declared vibration emission value may also be used in a preliminary assessment of exposure.

WARNING:

- The vibration emission during actual use of the power tool can differ from the declared emission value depending on the ways in which the tool is used.
- Be sure to identify safety measures to protect the operator that are based on an estimation of exposure in the actual conditions of use (taking account of all parts of the operating cycle such as the times when the tool is switched off and when it is running idle in addition to the trigger time).

ENH101-17

For European countries only

EC Declaration of Conformity

Makita declares that the following Machine(s):

Designation of Machine:

Cordless Impact Wrench

Model No./ Type: DTW250, DTW251

Conforms to the following European Directives:

2006/42/EC

They are manufactured in accordance with the following Standard or standardized documents:

EN60745

The Technical file in accordance with 2006/42/EC is available from:

Makita, Jan-Baptist Vinkstraat 2, 3070, Belgium

31.12.2013



Yasushi Fukaya
Director

Makita, Jan-Baptist Vinkstraat 2, 3070, Belgium

Descriptif

1	Témoins rouge	10	Joint torique	19	Boulon à haute résistance
2	Bouton	11	Tige	20	Trait de limite d'usure
3	Batterie	12	Crochet	21	Couvercle arrière
4	Marque étoilée	13	Vis	22	Vis
5	Gâchette	14	Rainure	23	Ressort
6	Lampe	15	Boulon standard	24	Bras
7	Inverseur	16	Couple de serrage	25	Partie encastrée
8	Douille	17	Temps de serrage	26	Bouchon de porte-charbon
9	Piton	18	Couple de serrage correct	27	Orifice

SPÉCIFICATIONS

Modèle		DTW250	DTW251
Capacités	Boulon standard	M10 – M16	M10 – M16
	Boulon à haute résistance	M10 – M14	M10 – M14
Tournevis carré		12,7 mm	12,7 mm
Vitesse à vide (min ⁻¹)		0 – 2 200	0 – 2 100
Percussions par minute		0 – 3 200	0 – 3 200
Couple de serrage maxi		230 N•m	230 N•m
Longueur hors tout		165 mm	165 mm
Poids net		1,6 kg	1,5 kg
Tension nominale		14,4 V CC	18 V CC

- Étant donné l'évolution constante de notre programme de recherche et de développement, les spécifications contenues dans ce manuel sont sujettes à modification sans préavis.
 - Les spécifications et la batterie peuvent être différentes suivant les pays.
 - Poids, avec la batterie, conformément à la procédure EPTA-01/2003
2. **Portez des protections anti-bruit.**
 3. **Veillez à ce que la douille ne soit pas usée, fissurée ou endommagée avant l'installation.**
 4. **Tenez votre outil fermement.**
 5. **Veillez toujours à avoir une bonne assise. Assurez-vous qu'il n'y a personne dessous quand vous utilisez l'outil dans des endroits élevés.**
 6. **Le couple de serrage peut varier en fonction du type et de la dimension du boulon. Vérifiez le couple à l'aide d'une clé dynamométrique.**

ENE036-1

Utilisations

L'outil est conçu pour la fixation des boulons et des écrous.

GEA010-1

Consignes de sécurité générales pour outils électriques

⚠ MISE EN GARDE Veuillez lire toutes les mises en garde et toutes les instructions. Il y a risque de choc électrique, d'incendie et/ou de blessure grave si les mises en garde et les instructions ne sont pas respectées.

Conservez toutes les mises en garde et instructions pour référence ultérieure.

GEB049-2

CONSIGNES DE SÉCURITÉ POUR BOULONNEUSE SANS FIL

1. **Saisissez l'outil électrique par ses surfaces de poigne isolées lorsque vous effectuez une opération au cours de laquelle la visseuse peut entrer en contact avec des fils cachés.** Le contact avec un fil sous tension mettra les parties métalliques exposées de la visseuse sous tension, causant ainsi un choc électrique chez l'utilisateur.

CONSIGNES DE SÉCURITÉ IMPORTANTES

POUR LA BATTERIE

1. Avant d'utiliser la batterie, lisez toutes les instructions et précautions relatives (1) au chargeur de batterie, (2) à la batterie, et (3) à l'outil utilisant la batterie.
2. Ne démontez pas la batterie.
3. Cessez immédiatement l'utilisation si le temps de fonctionnement devient excessivement court. Il y a risque de surchauffe, de brûlures, voire d'explosion.
4. Si l'électrolyte pénètre dans vos yeux, rincez-les à l'eau claire et consultez immédiatement un médecin. Il y a risque de perte de la vue.
5. Ne court-circuitez pas la batterie :
 - (1) Ne touchez les bornes avec aucun matériau conducteur.
 - (2) Évitez de ranger la batterie dans un conteneur avec d'autres objets métalliques, par exemple des clous, des pièces de monnaie, etc.
 - (3) N'exposez pas la batterie à l'eau ou à la pluie. Un court-circuit de la batterie pourrait provoquer un fort courant, une surchauffe, parfois des brûlures et même une panne.
6. Ne rangez pas l'outil ou la batterie dans des endroits où la température risque d'atteindre ou de dépasser 50°C.
7. Ne jetez pas la batterie au feu même si elle est sérieusement endommagée ou complètement épuisée. La batterie peut exploser au contact du feu.
8. Prenez garde d'échapper ou de heurter la batterie.
9. N'utilisez pas une batterie abîmée.

CONSERVEZ CES INSTRUCTIONS.

Conseils pour assurer la durée de vie optimale de la batterie

1. Rechargez la batterie avant qu'elle ne soit complètement déchargée. Arrêtez toujours l'outil et rechargez la batterie quand vous remarquez que la puissance de l'outil diminue.
2. Ne rechargez jamais une batterie complètement chargée. La surcharge réduit la durée de service de la batterie.
3. Chargez la batterie alors que la température de la pièce se trouve entre 10°C et 40°C. Avant de charger une batterie chaude, laissez-la refroidir.
4. Chargez la batterie tous les six mois si elle reste inutilisée pendant une période prolongée.

ATTENTION :

- Assurez-vous toujours que l'outil est hors tension et que sa batterie est retirée avant d'ajuster l'outil ou de vérifier son fonctionnement.

Installation ou retrait de la batterie (Fig. 1)

- Mettez toujours l'outil hors tension avant d'installer ou de retirer la batterie.
- Pour retirer la batterie, faites-la glisser de l'outil tout en faisant glisser le bouton à l'avant de la batterie.
- Pour installer la batterie, alignez la languette de la batterie avec la rainure située dans le carter, puis faites-la glisser en place. Insérez-la toujours à fond, jusqu'à ce qu'un léger dé clic se fasse entendre. Si le témoin rouge est visible sur la face supérieure du bouton, cela signifie que la batterie n'est pas parfaitement verrouillée. Installez-la à fond, jusqu'à ce que le témoin rouge ne soit plus visible. Sinon, elle pourrait tomber accidentellement de l'outil, au risque de vous blesser ou de blesser quelqu'un se trouvant près de vous.
- N'appliquez pas une force excessive lors de l'installation de la batterie. Si la batterie ne glisse pas aisément, c'est qu'elle n'est pas insérée correctement.

Dispositif de protection de la batterie (batterie au lithium-ion avec marque étoilée) (Fig. 2)

Les batteries au lithium-ion avec une marque étoilée sont dotées d'un dispositif de protection. Ce dispositif coupe automatiquement l'alimentation de l'outil pour prolonger la durée de service de la batterie.

Si l'outil et/ou la batterie se trouve dans l'une ou l'autre des situations suivantes, l'outil cessera automatiquement de fonctionner.

- Surchargé :
L'outil est utilisé de manière telle qu'il consomme un courant anormalement élevé.
Il faut alors libérer la gâchette de l'outil et cesser l'application qui cause la surcharge. Tirez ensuite de nouveau sur la gâchette pour redémarrer.
Si l'outil ne démarre pas, cela signifie que la batterie est trop chaude. Il faut alors laisser refroidir la batterie avant de tirer de nouveau sur la gâchette.
- Faible tension de la batterie :
La charge restante de la batterie étant trop faible, l'outil ne fonctionne pas. Il faut alors retirer la batterie et la recharger.

Interrupteur (Fig. 3)

ATTENTION :

- Avant d'insérer la batterie dans l'outil, vérifiez toujours que la gâchette fonctionne correctement et qu'elle revient sur la position "OFF" quand vous la relâchez.

Pour mettre l'outil en marche, tirez simplement sur la gâchette. La vitesse de l'outil augmente quand vous augmentez la pression sur la gâchette. Pour arrêter l'outil, relâchez la gâchette.

Allumage de la lampe avant (Fig. 4)

ATTENTION :

- Évitez de regarder directement le faisceau lumineux ou sa source.

Appuyez sur la gâchette pour allumer la lampe. La lampe demeure allumée tant que la pression sur la gâchette est maintenue.

Lorsque vous relâchez la gâchette, la lumière s'éteint d'elle-même au bout de 10 à 15 secondes.

NOTE :

- Utilisez un chiffon sec pour essuyer la saleté qui recouvre la lentille de la lampe. Prenez garde de rayer la lentille de la lampe, pour éviter une diminution de l'éclairage.

Interrupteur d'action inverse (Fig. 5)

L'outil possède un inverseur qui permet d'invertir le sens de rotation. Appuyez sur l'inverseur et déplacez-le à partir du côté A pour une rotation vers la droite, ou à partir du côté B pour une rotation vers la gauche.

Lorsque l'inverseur est à la position neutre, il n'est pas possible d'actionner la gâchette.

ATTENTION :

- Vérifiez toujours le sens de rotation avant de mettre l'outil en marche.
- Attendez que l'outil soit complètement arrêté avant d'utiliser l'inverseur. Vous risquez d'endommager l'outil si vous changez le sens de rotation avant que l'outil ne soit complètement arrêté.
- Lorsque vous ne vous servez pas de l'outil, mettez toujours l'inverseur sur la position neutre.

ASSEMBLAGE

ATTENTION :

- Assurez-vous toujours que l'outil est hors tension et que la batterie est retirée avant d'effectuer tout travail sur l'outil.

Sélection de la douille

Utilisez toujours une douille de la dimension qui convient pour les boulons et les écrous. Une douille de mauvaise dimension entraînera un couple de serrage imprécis ou inadéquat et/ou endommagera le boulon ou l'écrou.

Installation et retrait de la douille (Fig. 6 et 7)

1. Pour douille sans joint torique et tige
Pour installer la douille, enfoncez-la dans le piton de l'outil jusqu'à ce qu'elle se verrouille en place. Tirez simplement sur la douille pour la retirer.
2. Pour douille avec joint torique et tige
Retirez le joint torique de la rainure de la douille et retirez la tige de la douille. Insérez la douille dans le piton de l'outil de façon que l'orifice de la douille soit aligné sur l'orifice du piton. Insérez la tige dans l'orifice de la douille et dans celui du piton. Puis, ramenez le joint torique à sa position d'origine dans la rainure de la douille pour verrouiller la tige. Pour retirer la douille, procédez dans l'ordre inverse de l'installation.

Crochet (Fig. 8)

Le crochet est pratique pour accrocher temporairement l'outil. Il s'installe d'un côté comme de l'autre de l'outil. Pour installer le crochet, insérez-le dans une rainure du carter de l'outil, d'un côté ou de l'autre, puis serrez-le avec une vis. Pour le retirer, desserrez la vis puis enlevez le crochet.

FONCTIONNEMENT

ATTENTION :

- Insérez toujours la batterie à fond jusqu'à ce qu'elle se verrouille en place. Si vous pouvez voir la partie rouge du côté supérieur du bouton, cela signifie qu'elle n'est pas parfaitement verrouillée. Insérez-la à fond jusqu'à ce que la partie rouge ne soit plus visible. Sinon, elle risque de tomber accidentellement de l'outil en vous blessant ou en blessant une personne se trouvant près de vous.

Tenez l'outil fermement et placez la douille sur le boulon ou l'écrou. Mettez l'outil en marche et serrez pendant la durée de serrage appropriée. (Fig. 9)

Le couple de serrage adéquat peut varier selon le type ou la dimension du boulon, le matériau de la pièce à visser, etc. Le rapport entre le couple de serrage et le temps de serrage est indiqué à la Fig. 10 et Fig. 11.

NOTE :

- Tenez l'outil de sorte qu'il pointe bien droit vers le boulon ou l'écrou.
- Un couple de serrage excessif peut endommager le boulon, l'écrou ou la douille. Avant de commencer votre travail, effectuez toujours un test pour connaître le temps de serrage adéquat pour le boulon ou l'écrou utilisé.
- Si l'outil est utilisé de manière continue jusqu'à ce que la batterie soit déchargée, laissez-le reposer 15 minutes avant de poursuivre l'opération avec une batterie fraîche.

Le couple de serrage dépend d'un certain nombre de facteurs, comme suit. Une fois le serrage terminé, vérifiez toujours le couple avec une clé dynamométrique.

1. Lorsque la batterie est presque complètement déchargée, la tension tombera et le couple de serrage sera réduit.
2. Douille
 - L'utilisation d'une douille de mauvaise dimension entraînera une réduction du couple de serrage.
 - Une douille usée (usure sur l'extrémité hexagonale ou l'extrémité carrée) entraînera une réduction du couple de serrage.
3. Boulon
 - Même si le coefficient du couple et la catégorie du boulon sont les mêmes, le couple de serrage variera en fonction du boulon.
 - Même si les diamètres de boulon sont les mêmes, le couple de serrage variera en fonction du coefficient de couple, de la catégorie du boulon et de la longueur du boulon.
4. L'utilisation d'un joint universel ou d'une barre de rallonge réduit quelque peu la force de serrage de la boulonneuse. Compenser en serrant plus longtemps.
5. La façon dont l'outil est tenu, ainsi que la position du matériel à visser affecteront le couple.

6. Le fonctionnement de l'outil à faible vitesse entraînera une diminution du couple de serrage.

ENG905-1

ENTRETIEN

ATTENTION :

- Assurez-vous toujours que l'outil est hors tension et que la batterie est sortie avant de procéder à son inspection ou à son entretien.
- N'utilisez jamais d'essence, benzine, diluant, alcool ou autre produit similaire. Cela risquerait de provoquer la décoloration, la déformation ou la fissuration de l'outil.

Remplacement des charbons

Remplacez-les lorsqu'ils sont usés jusqu'au trait de limite d'usure. Maintenez les charbons propres et en état de glisser aisément dans les porte-charbon. Les deux charbons doivent être remplacés en même temps. N'utilisez que des charbons identiques. (Fig. 12)

Utilisez un tournevis pour retirer les deux vis, puis retirez le couvercle arrière. (Fig. 13)

Soulevez le bras du ressort puis placez-le dans la partie encastrée du carter à l'aide d'un tournevis à tête fendue et à tige mince, ou d'un objet similaire. (Fig. 14)

Utilisez des pinces pour retirer les bouchons de porte-charbon. Enlevez les charbons usés, insérez les neufs et fixez les bouchons de porte-charbon. (Fig. 15 et 16)

Assurez-vous que les bouchons de porte-charbon sont bien insérés dans les orifices des porte-charbons.

Remettez en place le couvercle arrière et serrez fermement les deux vis.

Pour maintenir la SÉCURITÉ et la FIABILITÉ du produit, les réparations, travaux d'entretien et autres réglages doivent être effectués dans un centre de service Makita agréé, exclusivement avec des pièces de rechange Makita.

ACCESSOIRES EN OPTION

ATTENTION :

- Les accessoires ou pièces supplémentaires qui suivent sont recommandés pour l'utilisation avec l'outil Makita spécifié dans ce manuel. L'utilisation de tout autre accessoire ou pièce supplémentaire peut comporter un risque de blessure. Utilisez uniquement l'accessoire ou la pièce supplémentaire dans le but spécifié.

Pour obtenir plus de détails sur ces accessoires, contactez votre Centre d'Entretien local Makita.

- Douilles
- Barre de rallonge
- Joint universel
- Adaptateur de mèche
- Les divers types de batteries et chargeurs Makita authentiques

NOTE :

- Il se peut que certains éléments de la liste soient compris dans l'emballage de l'outil en tant qu'accessoires standard. Ils peuvent varier d'un pays à l'autre.

Bruit

Niveau de bruit pondéré A typique, déterminé selon EN60745 :

Modèle DTW250

Niveau de pression sonore (L_{pA}) : 90 dB (A)
Niveau de puissance sonore (L_{WA}) : 101 dB (A)
Incertitude (K) : 3 dB (A)

Modèle DTW251

Niveau de pression sonore (L_{pA}) : 94 dB (A)
Niveau de puissance sonore (L_{WA}) : 105 dB (A)
Incertitude (K) : 3 dB (A)

Porter des protecteurs anti-bruit

ENG900-1

Vibrations

Valeur totale de vibrations (somme de vecteur triaxial) déterminée selon EN60745 :

Modèle DTW250

Mode de travail : Serrage avec chocs des vis correspondant à la capacité maximale de l'outil
Émission de vibrations (a_{h1}) : 14,5 m/s²
Incertitude (K) : 1,5 m/s²

Modèle DTW251

Mode de travail : Serrage avec chocs des vis correspondant à la capacité maximale de l'outil
Émission de vibrations (a_{h1}) : 11,0 m/s²
Incertitude (K) : 1,5 m/s²

ENG901-1

- La valeur d'émission de vibrations déclarée a été mesurée conformément à la méthode de test standard et peut être utilisée pour comparer les outils entre eux.
- La valeur d'émission de vibrations déclarée peut aussi être utilisée pour l'évaluation préliminaire de l'exposition.

AVERTISSEMENT :

- L'émission de vibrations lors de l'usage réel de l'outil électrique peut être différente de la valeur d'émission déclarée, suivant la façon dont l'outil est utilisé.
- Les mesures de sécurité à prendre pour protéger l'utilisateur doivent être basées sur une estimation de l'exposition dans des conditions réelles d'utilisation (en tenant compte de toutes les composantes du cycle d'utilisation, comme par exemple le moment de sa mise hors tension, lorsqu'il tourne à vide et le moment de son déclenchement).

Pour les pays d'Europe uniquement

Déclaration de conformité CE

Makita déclare que la (les) machine(s) suivante(s) :

Désignation de la machine :

Boulonneuse sans fil

N° de modèle / Type : DTW250, DTW251

sont conformes aux directives européennes suivantes :

2006/42/CE

et sont fabriquées conformément aux normes ou aux documents normalisés suivants :

EN60745

La documentation technique conforme à la norme 2006/42/CE est disponible auprès de :

Makita, Jan-Baptist Vinkstraat 2, 3070, Belgique

31.12.2013



Yasushi Fukaya

Directeur

Makita, Jan-Baptist Vinkstraat 2, 3070, Belgique

Übersicht

1 Rote Anzeige	10 O-Ring	19 HV-Schrauben
2 Entriegelungsknopf	11 Stift	20 Verschleißgrenze
3 Blockakku	12 Haken	21 Rückabdeckung
4 Sternsymbol	13 Schraube	22 Schrauben
5 Ein-Aus-Schalter	14 Führungsnut	23 Feder
6 Lampe	15 Standardschrauben	24 Arm
7 Drehrichtungsumschalter	16 Anzugsmoment	25 Vertiefung
8 Steckschlüsseinsatz	17 Anzugszeit	26 Kohlebürstenkappe
9 Antriebsvierkant	18 Korrektes Anzugsmoment	27 Loch

TECHNISCHE DATEN

Modell		DTW250	DTW251
Arbeitsleistung	Standardschraube	M10 – M16	M10 – M16
	HV-Schraube	M10 – M14	M10 – M14
Vierkantantrieb		12,7 mm	12,7 mm
Leerlaufdrehzahl (min ⁻¹)		0 – 2 200	0 – 2 100
Schlagzahl pro Minute		0 – 3 200	0 – 3 200
Max. Anzugsmoment		230 N•m	230 N•m
Gesamtlänge		165 mm	165 mm
Nettogewicht		1,6 kg	1,5 kg
Nennspannung		DC 14,4 V	DC 18 V

- Wir behalten uns vor, Änderungen im Zuge der Entwicklung und des technischen Fortschritts ohne vorherige Ankündigung vorzunehmen.
- Die technischen Daten und der Blockakku können von Land zu Land unterschiedlich sein.
- Gewicht mit Akku nach EPTA-Verfahren 01/2003

ENE036-1

Vorgesehene Verwendung

Die Maschine ist für das Anziehen von Schrauben und Muttern vorgesehen.

GEA010-1

Allgemeine Sicherheitswarnungen für Elektrowerkzeuge

⚠️ WARNUNG Lesen Sie alle Sicherheitswarnungen und Anweisungen durch. Eine Missachtung der unten aufgeführten Warnungen und Anweisungen kann zu einem elektrischen Schlag, Brand und/oder schweren Verletzungen führen.

Bewahren Sie alle Warnungen und Anweisungen für spätere Bezugnahme auf.

GEB049-2

SICHERHEITSWARNUNGEN FÜR AKKU-SCHLAGSCHRAUBER

1. Halten Sie die Maschine nur an den isolierten Griffflächen, wenn Sie Arbeiten ausführen, bei denen die Gefahr besteht, dass das Befestigungselement verborgene Kabel. Bei Kontakt mit einem Strom führenden Kabel können die freiliegenden Metallteile des Elektrowerkzeugs ebenfalls Strom führend werden, so dass der Benutzer einen elektrischen Schlag erleiden kann.

2. Tragen Sie Gehörschützer.
3. Überprüfen Sie den Steckschlüsseinsatz vor der Montage sorgfältig auf Risse oder Beschädigung.
4. Halten Sie die Maschine mit festem Griff.
5. Achten Sie stets auf sicheren Stand. Vergewissern Sie sich bei Einsatz der Maschine an hochgelegenen Arbeitsplätzen, dass sich keine Personen darunter aufhalten.
6. Das korrekte Anzugsmoment kann je nach Art oder Größe der Schraube unterschiedlich sein. Überprüfen Sie das Anzugsmoment mit einem Drehmomentschlüssel.

BEWAHREN SIE DIESE ANLEITUNG GUT AUF.

WARNUNG:

Lassen Sie sich NICHT durch Bequemlichkeit oder Vertrautheit mit dem Produkt (durch wiederholten Gebrauch erworben) von der strikten Einhaltung der Sicherheitsregeln für das vorliegende Produkt abhalten. MISSBRAUCH oder Missachtung der Sicherheitsvorschriften in dieser Anleitung können schwere Verletzungen verursachen.

WICHTIGE SICHERHEITSVORSCHRIFTEN

FÜR AKKU

1. Lesen Sie vor der Benutzung des Akkus alle Anweisungen und Warnhinweise, die an (1) Ladegerät, (2) Akku und (3) Akkuwerkzeug angebracht sind.
2. Unterlassen Sie ein Zerlegen des Akkus.
3. Falls die Betriebszeit beträchtlich kürzer geworden ist, stellen Sie den Betrieb sofort ein. Anderenfalls besteht die Gefahr von Überhitzung, möglichen Verbrennungen und sogar einer Explosion.
4. Falls Elektrolyt in Ihre Augen gelangt, waschen Sie sie mit sauberem Wasser aus, und begeben Sie sich unverzüglich in ärztliche Behandlung. Anderenfalls können Sie Ihre Sehkraft verlieren.
5. Der Akku darf nicht kurzgeschlossen werden:
 - (1) Die Kontakte dürfen nicht mit leitfähigem Material berührt werden.
 - (2) Lagern Sie den Akku nicht in einem Behälter zusammen mit anderen Metallgegenständen, wie z.B. Nägel, Münzen usw.
 - (3) Setzen Sie den Akku weder Wasser noch Regen aus.
Ein Kurzschluss des Akkus verursacht starken Stromfluss, der Überhitzung, Verbrennungen und einen Defekt zur Folge haben kann.
6. Lagern Sie Maschine und Akku nicht an Orten, an denen die Temperatur 50°C erreichen oder überschreiten kann.
7. Versuchen Sie niemals, den Akku zu verbrennen, selbst wenn er stark beschädigt oder vollkommen verbraucht ist. Der Akku kann im Feuer explodieren.
8. Achten Sie darauf, dass der Akku nicht fallen gelassen oder Stößen ausgesetzt wird.
9. Benutzen Sie keine beschädigten Akkus.

BEWAHREN SIE DIESE HINWEISE SORGFÄLTIG AUF.

Hinweise zur Aufrechterhaltung der maximalen Akku-Nutzungsdauer

1. Laden Sie den Akku, bevor er vollkommen erschöpft ist.
Schalten Sie die Maschine stets aus, und laden Sie den Akku, wenn Sie ein Nachlassen der Maschinenleistung feststellen.
2. Unterlassen Sie das erneute Laden eines voll aufgeladenen Akkus. Überladen führt zu einer Verkürzung der Nutzungsdauer des Akkus.
3. Laden Sie den Akku bei Raumtemperatur zwischen 10°C – 40°C. Lassen Sie einen heißen Akku abkühlen, bevor Sie ihn laden.
4. Laden Sie den Akku bei längerer Nichtbenutzung alle sechs Monate nach.

FUNKTIONSBESCHREIBUNG

VORSICHT:

- Vergewissern Sie sich vor der Durchführung von Einstellungen oder Funktionsprüfungen der Maschine stets, dass die Maschine ausgeschaltet und der Akku abgenommen ist.

Anbringen und Abnehmen des Akkus (Abb. 1)

- Schalten Sie die Maschine stets aus, bevor Sie den Akku anbringen oder abnehmen.
- Schieben Sie den Akku zum Abnehmen von der Maschine ab, während Sie den Knopf an der Vorderseite des Akkus drücken.
- Zum Einsetzen des Akkus richten Sie die Führungsfeder des Akkus auf die Nut im Werkzeuggehäuse aus und schieben den Akku hinein. Schieben Sie den Akku stets vollständig ein, bis er mit einem hörbaren Klicken einrastet. Falls die rote Anzeige an der Oberseite des Knopfes sichtbar ist, ist der Akku nicht vollständig verriegelt. Schieben Sie ihn bis zum Anschlag ein, bis die rote Anzeige nicht mehr sichtbar ist. Anderenfalls kann er aus der Maschine herausfallen und Sie oder umstehende Personen verletzen.
- Wenden Sie beim Einsetzen des Akkus keine Gewalt an. Falls der Akku nicht reibungslos hineingleitet, ist er nicht richtig ausgerichtet.

Akku-Schutzsystem (Lithium-Ionen-Akku mit Sternsymbol) (Abb. 2)

Lithium-Ionen-Akkus mit Sternsymbol sind mit einem Schutzsystem ausgestattet. Dieses System schaltet die Stromversorgung der Maschine automatisch ab, um die Akku-Lebensdauer zu verlängern. Die Maschine schaltet sich während des Betriebs automatisch ab, wenn Maschine und/oder Akku einer der folgenden Bedingungen unterliegen:

- Überlastung:
Die Maschine wird auf eine Weise benutzt, die eine ungewöhnlich hohe Stromaufnahme bewirkt. Lassen Sie in dieser Situation den Ein-Aus-Schalter der Maschine los, und brechen Sie die Arbeit ab, die eine Überlastung der Maschine verursacht hat. Betätigen Sie dann den Ein-Aus-Schalter erneut, um die Maschine wieder zu starten.
Falls die Maschine nicht startet, ist der Akku überhitzt. Lassen Sie den Akku in dieser Situation abkühlen, bevor Sie den Ein-Aus-Schalter erneut betätigen.
- Niedrige Akkuspannung:
Die Akku-Restkapazität ist zu niedrig, und die Maschine funktioniert nicht. Nehmen Sie in dieser Situation den Akku ab, und laden Sie ihn auf.

Schalterbedienung (Abb. 3)

VORSICHT:

- Vergewissern Sie sich vor dem Einsetzen des Akkus in die Maschine stets, dass der Ein-Aus-Schalter ordnungsgemäß funktioniert und beim Loslassen in die AUS-Stellung zurückkehrt.

Zum Einschalten der Maschine drücken Sie einfach den Ein-Aus-Schalter. Die Drehzahl erhöht sich durch verstärkte Druckausübung auf den Ein-Aus-Schalter. Zum Ausschalten den Ein-Aus-Schalter loslassen.

Einschalten der Frontlampe (Abb. 4)

VORSICHT:

- Blicken Sie nicht direkt in die Lampe oder die Lichtquelle.

Betätigen Sie den Ein-Aus-Schalter, um die Lampe einzuschalten. Die Lampe bleibt erleuchtet, solange der Ein-Aus-Schalter gedrückt gehalten wird. Die Lampe erlischt automatisch 10 – 15 Sekunden nach dem Loslassen des Ein-Aus-Schalters.

HINWEIS:

- Wischen Sie Schmutz auf der Lampenlinse mit einem trockenen Tuch ab. Achten Sie sorgfältig darauf, dass Sie die Lampenlinse nicht verkratzen, weil sich sonst die Lichtstärke verringert.

Drehrichtungsumschalter (Abb. 5)

Mit dem Drehrichtungsumschalter kann die Drehrichtung verändert werden. Für Rechtslauf drücken Sie auf die Seite A des Drehrichtungsumschalters, für Linkslauf auf die Seite B.

In Neutralstellung des Drehrichtungsumschalters kann der Ein-Aus-Schalter verriegelt werden.

VORSICHT:

- Prüfen Sie stets die Drehrichtung, bevor Sie mit der Arbeit beginnen.
- Wechseln Sie niemals die Drehrichtung, bevor der Motor zum Stillstand gekommen ist. Andernfalls kann die Maschine beschädigt werden.
- Stellen Sie den Drehrichtungsumschalter bei Nichtgebrauch der Maschine stets auf die Neutralstellung.

MONTAGE

VORSICHT:

- Vergewissern Sie sich vor der Ausführung von Arbeiten an der Maschine stets, dass die Maschine ausgeschaltet und der Akku abgenommen ist.

Wahl des korrekten Steckschlüsseleinsatzes

Verwenden Sie stets einen passenden Steckschlüsseleinsatz für die jeweiligen Schrauben und Muttern. Ein Steckschlüsseleinsatz der falschen Größe bewirkt ein falsches und ungleichmäßiges Anzugsmoment und/oder Beschädigung der Schraube oder Mutter. Näheres zur Steckschlüsselgröße entnehmen Sie bitte dem Zubehörabschnitt.

Montage und Demontage des Steckschlüsseleinsatzes (Abb. 6 u. 7)

1. Für Steckschlüsseleinsatz ohne O-Ring und Stift
Zum Anbringen den Steckschlüsseleinsatz auf den Antriebsvierkant des Werkzeugs schieben, bis es einrastet.
Zum Abnehmen den Steckschlüsseleinsatz einfach abziehen.
2. Für Steckschlüsseleinsatz mit O-Ring und Stift
Den O-Ring aus der Führungsnut im Steckschlüsseleinsatz entfernen, und den Stift aus dem Steckschlüsseleinsatz herausziehen. Den Steckschlüsseleinsatz so in den Flansch der Maschine einsetzen, dass die Bohrung im Steckschlüsseleinsatz auf die Bohrung im Antriebsvierkant ausgerichtet ist. Den Stift durch die Bohrung in Steckschlüsseleinsatz und Antriebsvierkant einführen. Dann den O-Ring wieder in die Nut des Steckschlüsseleinsatzes einsetzen, um den Stift zu arretieren. Zum Demontieren des Steckschlüsseleinsatzes ist das Montageverfahren umgekehrt anzuwenden.

Haken (Abb. 8)

Der Haken ist praktisch, um die Maschine vorübergehend aufzuhängen. Der Haken kann auf beiden Seiten der Maschine angebracht werden.

Um den Haken anzubringen, führen Sie ihn in die Führungsnut entweder auf der linken oder rechten Seite des Maschinegehäuses ein, und sichern Sie ihn dann mit einer Schraube. Um den Haken zu entfernen, lösen Sie die Schraube, und nehmen Sie dann den Haken heraus.

BETRIEB

VORSICHT:

- Schieben Sie den Akku stets vollständig ein, bis er einrastet. Wenn der rote Teil an der Oberseite des Knopfes sichtbar ist, ist der Akku nicht richtig eingerastet. Schieben Sie den Akku vollständig ein, bis der rote Teil verschwindet. Andernfalls kann er aus dem Werkzeug herausfallen und Sie oder umstehende Personen verletzen.

Halten Sie das Werkzeug mit festem Griff, und setzen Sie den Steckschlüsseleinsatz auf die Schraube oder Mutter. Schalten Sie das Werkzeug ein, und ziehen Sie die Schraube oder Mutter mit der korrekten Anzugszeit an. (Abb. 9)

Das korrekte Anzugsmoment hängt u.a. von der Art oder Größe der Schrauben oder der Art der zu verschraubenden Materialien ab. Die Beziehung zwischen Anzugsmoment und Anzugszeit ist in **Abb. 10** und **Abb. 11**.

HINWEIS:

- Halten Sie die Maschine gerade auf die Schraube oder Mutter gerichtet.
- Ein zu hohes Anzugsmoment kann zu einer Beschädigung der Schraube/Mutter oder des Steckschlüssels führen. Führen Sie vor Arbeitsbeginn stets eine Probeverschraubung durch, um die geeignete Anzugszeit für die jeweilige Schraube oder Mutter zu ermitteln.
- Wenn die Maschine im Dauerbetrieb bis zur vollkommenen Entladung des Akkus benutzt wurde, lassen Sie die Maschine vor dem Fortsetzen des Betriebs mit einem frischen Akku 15 Minuten lang ruhen.

Das Anzugsmoment unterliegt einer Reihe von Einflüssen, einschließlich der folgenden. Überprüfen Sie das Anzugsmoment nach dem Anziehen stets mit einem Drehmomentschlüssel.

1. Wenn der Akku nahezu erschöpft ist, fällt die Spannung ab, und das Anzugsmoment verringert sich.
2. Steckschlüsseleinsatz
 - Die Verwendung eines Steckschlüsseleinsatzes der falschen Größe bewirkt eine Verringerung des Anzugsmoments.
 - Ein abgenutzter Steckschlüsseleinsatz (Verschleiß am Sechskant- oder Vierkantende) verursacht eine Verringerung des Anzugsmoments.
3. Schraube
 - Selbst wenn der Drehmoment-Koeffizient und der Typ der Schraube gleich sind, ändert sich das Anzugsmoment je nach dem Durchmesser der Schraube.
 - Selbst wenn Schrauben den gleichen Durchmesser haben, ist das korrekte Anzugsmoment je nach Drehmoment-Koeffizient, Typ und Länge der Schraube unterschiedlich.
4. Durch den Gebrauch des Gelenkaufsatzes oder des Verlängerungsstücks verringert sich die Anzugsleistung des Schlagschraubers etwas. Kompensieren Sie diesen Effekt durch eine etwas längere Anzugszeit.

5. Die Art und Weise, wie das Werkzeug oder das Material der Verschraubungsposition gehalten wird, beeinflusst das Anzugsmoment.
6. Der Betrieb des Werkzeugs mit einer niedrigen Drehzahl hat eine Reduzierung des Anzugsmoments zur Folge.

WARTUNG

VORSICHT:

- Vergewissern Sie sich vor der Durchführung von Inspektions- oder Wartungsarbeiten stets, dass die Maschine ausgeschaltet und der Akku abgenommen ist.
- Verwenden Sie auf keinen Fall Benzin, Benzol, Verdünnern, Alkohol oder dergleichen. Solche Mittel können Verfärbung, Verformung oder Rissbildung verursachen.

Kohlebürsten wechseln

Wenn sie bis zur Verschleißgrenze abgenutzt sind, müssen sie erneuert werden. Halten Sie die Kohlebürsten stets sauber, damit sie ungehindert in den Haltern gleiten können. Beide Kohlebürsten sollten gleichzeitig erneuert werden. Verwenden Sie nur identische Kohlebürsten.

(Abb. 12)

Drehen Sie die Schrauben mit einem Schraubendreher heraus, und nehmen Sie dann die Rückabdeckung ab.

(Abb. 13)

Heben Sie den Arm der Feder an, und setzen Sie ihn dann mithilfe eines Schlitzschraubendrehers mit schlankem Schaft oder dergleichen in die Aussparung des Gehäuses ein. (Abb. 14)

Entfernen Sie die Kappen der Kohlebürsten mit einer Zange. Nehmen Sie die abgenutzten Kohlebürsten heraus, setzen Sie die neuen ein, und bringen Sie die Kohlebürstenkappen umgekehrt wieder an. (Abb. 15 u. 16)

Vergewissern Sie sich, dass die Kohlebürstenkappe einwandfrei in den Löchern der Bürstenhalter sitzt.

Bringen Sie die Rückabdeckung wieder an, und ziehen Sie die zwei Schrauben fest an.

Um die SICHERHEIT und ZUVERLÄSSIGKEIT dieses Produkts zu gewährleisten, sollten Reparaturen und andere Wartungs- oder Einstellarbeiten nur von Makita-Kundendienstzentren unter ausschließlicher Verwendung von Makita-Originalersatzteilen ausgeführt werden.

SONDERZUBEHÖR

VORSICHT:

- Die folgenden Zubehörteile oder Vorrichtungen werden für den Einsatz mit der in dieser Anleitung beschriebenen Makita-Maschine empfohlen. Die Verwendung anderer Zubehörteile oder Vorrichtungen kann eine Verletzungsgefahr darstellen. Verwenden Sie Zubehörteile oder Vorrichtungen nur für ihren vorgesehenen Zweck.

Wenn Sie weitere Einzelheiten bezüglich dieser Zubehörteile benötigen, wenden Sie sich bitte an Ihre Makita-Kundendienststelle.

- Steckschlüsseleinsätze
- Verlängerungsstücke
- Gebrauch des Gelenkaufsatzes
- Einsatzadapter
- Verschiedene Original-Makita-Akkus und -Ladegeräte

HINWEIS:

- Manche Teile in der Liste können als Standardzubehör im Werkzeugsatz enthalten sein. Sie können von Land zu Land unterschiedlich sein.

ENG905-1

Geräusch

Typischer A-bewerteter Geräuschpegel ermittelt gemäß EN60745:

Modell DTW250

Schalldruckpegel (L_{pA}): 90 dB (A)

Schalleistungspegel (L_{WA}): 101 dB (A)

Ungewissheit (K): 3 dB (A)

Modell DTW251

Schalldruckpegel (L_{pA}): 94 dB (A)

Schalleistungspegel (L_{WA}): 105 dB (A)

Ungewissheit (K): 3 dB (A)

Gehörschutz tragen

ENG900-1

Vibration

Vibrationsgesamt看wert (Drei-Achsen-Vektorsumme) ermittelt gemäß EN60745:

Modell DTW250

Arbeitsmodus: Schlagschrauben von Befestigungsteilen der maximalen Kapazität der Maschine

Vibrationsemission (a_{h1}): 14,5 m/s²

Ungewissheit (K): 1,5 m/s²

Modell DTW251

Arbeitsmodus: Schlagschrauben von Befestigungsteilen der maximalen Kapazität der Maschine

Vibrationsemission (a_{h1}): 11,0 m/s²

Ungewissheit (K): 1,5 m/s²

ENG901-1

- Der angegebene Vibrationsemissionswert wurde im Einklang mit der Standardprüfmethode gemessen und kann für den Vergleich zwischen Maschinen herangezogen werden.
- Der angegebene Vibrationsemissionswert kann auch für eine Vorbewertung des Gefährdungsgrads verwendet werden.

WARNUNG:

- Die Vibrationsemission während der tatsächlichen Benutzung des Elektrowerkzeugs kann je nach der Benutzungsweise der Maschine vom angegebenen Emissionswert abweichen.
- Identifizieren Sie Sicherheitsmaßnahmen zum Schutz des Benutzers anhand einer Schätzung des Gefährdungsgrads unter den tatsächlichen Benutzungsbedingungen (unter Berücksichtigung aller Phasen des Arbeitszyklus, wie z. B. Ausschalt- und Leerlaufzeiten der Maschine zusätzlich zur Betriebszeit).

Nur für europäische Länder

EG-Übereinstimmungserklärung

Makita erklärt, dass die folgende(n) Maschine(n):

Bezeichnung der Maschine:

Akku-Schlagschrauber

Modell-Nr./ Typ: DTW250, DTW251

den folgenden europäischen Richtlinien entsprechen:

2006/42/EG

gemäß den folgenden Standards oder standardisierten Dokumenten hergestellt werden:

EN60745

Die technische Akte in Übereinstimmung mit 2006/42/EG ist erhältlich von:

Makita, Jan-Baptist Vinkstraat 2, 3070, Belgien

31.12.2013



Yasushi Fukaya
Direktor

Makita, Jan-Baptist Vinkstraat 2, 3070, Belgien

Visione generale

1 Indicatore rosso	10 Anello ad O	19 Bullone altamente tensile
2 Bottone	11 Perno	20 Segno limite
3 Cartuccia batteria	12 Gancio	21 Coperchio posteriore
4 Marchio di stella	13 Vite	22 Viti
5 Interruttore	14 Scanalatura	23 Molla
6 Lampadina	15 Bullone standard	24 Braccio
7 Interruttore di inversione	16 Coppia di serraggio	25 Parte incassata
8 Presa	17 Tempo di serraggio	26 Tappo spazzole di carbone
9 Incudine	18 Coppia di serraggio corretta	27 Foro

DATI TECNICI

Modello		DTW250	DTW251
Capacità	Bullone standard	M10 – M16	M10 – M16
	Bullone altamente tensile	M10 – M14	M10 – M14
Trasmissione quadra		12,7 mm	12,7 mm
Velocità a vuoto (min ⁻¹)		0 – 2.200	0 – 2.100
Numero colpi/min.		0 – 3.200	0 – 3.200
Coppia di serraggio max.		230 N•m	230 N•m
Lunghezza totale		165 mm	165 mm
Peso netto		1,6 kg	1,5 kg
Tensione nominale		C.c. 14,4 V	C.c. 18 V

- Questi dati sono soggetti a modifiche senza avviso a causa del nostro programma di ricerca e sviluppo continui.
- I dati tecnici e la cartuccia batteria potrebbero differire da paese a paese.
- Peso, con batteria, secondo la Procedura EPTA 01/2003

ENE036-1

Utilizzo previsto

L'utensile è progettato per il serraggio dei bulloni e dadi.

GEA010-1

Avvertimenti generali per la sicurezza dell'utensile elettrico

⚠ AVVERTIMENTO Leggere tutti gli avvertimenti per la sicurezza e le istruzioni. La mancata osservanza degli avvertimenti e delle istruzioni può causare scosse elettriche, incendio e/o gravi incidenti.

Conservare tutti gli avvertimenti e le istruzioni per riferimenti futuri.

GEB049-2

AVVERTIMENTI PER LA SICUREZZA DELLA AVVITATRICE AD IMPULSO A BATTERIA

1. Tenere l'utensile per le superfici isolate quando si esegue una operazione in cui i dispositivi di chiusura potrebbero fare contatto con fili elettrici nascosti. I dispositivi di chiusura che fanno contatto con un filo elettrico "sotto tensione" potrebbero mettere "sotto tensione" le parti metalliche esposte dell'utensile dando una scossa elettrica all'operatore.
2. Indossare le protezioni delle orecchie.

3. Prima dell'installazione, controllare con cura che la presa non presenti segni di usura, crepe o danni.
4. Tenere saldamente l'utensile.
5. Accertarsi sempre di avere i piedi saldamente appoggiati. Accertarsi che sotto non ci sia nessuno quando si usa l'utensile in un posto alto.
6. La coppia di serraggio corretta potrebbe differire secondo il tipo e le dimensioni del bullone. Controllare la coppia con una chiave torsiometrica.

CONSERVARE QUESTE ISTRUZIONI.

AVVERTIMENTO:

NON lasciare che comodità o la familiarità d'utilizzo con il prodotto (acquisita con l'uso ripetuto) sostituisca la stretta osservanza delle norme di sicurezza. L'utilizzo SBAGLIATO o la mancata osservanza delle norme di sicurezza di questo manuale di istruzioni potrebbero causare lesioni serie.

ENC007-7

ISTRUZIONI IMPORTANTI DI SICUREZZA

PER LA CARTUCCIA DELLA BATTERIA

1. Prima di usare la cartuccia della batteria, leggere tutte le istruzioni e le avvertenze sul (1) carica-batteria, sulla (2) batteria e sul (3) prodotto che utilizza la batteria.
2. Non smontare la cartuccia della batteria.
3. Se il tempo di utilizzo è diventato molto corto, smettere immediatamente di usare l'utensile. Può risultare un rischio di surriscaldamento, possibili ustioni e addirittura un'esplosione.

4. Se l'elettrolita va negli occhi, risciacquarli con acqua pulita e rivolgersi immediatamente ad un medico. Può risultare la perdita della vista.
5. Non cortocircuitare la cartuccia della batteria:
 - (1) Non toccare i terminali con qualche metallo conduttivo.
 - (2) Evitare di conservare la cartuccia della batteria in un contenitore con altri oggetti metallici come i chiodi, le monete, ecc.
 - (3) Non esporre la cartuccia della batteria all'acqua o alla pioggia.
Un cortocircuito della batteria può causare un grande flusso di corrente, il surriscaldamento, possibili ustioni e addirittura un guasto.
6. Non conservare l'utensile e la cartuccia della batteria in luoghi in cui la temperatura può raggiungere o superare i 50°C.
7. Non incenerire la cartuccia della batteria anche se è gravemente danneggiata o è completamente esaurita. La cartuccia della batteria può esplodere e provocare un incendio.
8. Fare attenzione a non lasciar cadere o a colpire la batteria.
9. Non usare una batteria danneggiata.

CONSERVARE QUESTE ISTRUZIONI.

Suggerimenti per mantenere la durata massima della batteria

1. Caricare la cartuccia della batteria prima che si scarichi completamente.
Smettere sempre di usare l'utensile e caricare la cartuccia della batteria quando si nota che la potenza dell'utensile è diminuita.
2. Non ricaricare mai una cartuccia della batteria completamente carica. La sovraccarica riduce la durata della batteria.
3. Caricare la cartuccia della batteria con la temperatura ambiente da 10°C a 40°C. Lasciar raffreddare una cartuccia della batteria calda prima di caricarla.
4. Caricare la cartuccia della batteria una volta ogni sei mesi se non si intende usarla per un lungo periodo di tempo.

DESCRIZIONE FUNZIONALE

ATTENZIONE:

- Accertarsi sempre che l'utensile sia spento e che la batteria sia stata rimossa prima di regolare o di controllare il funzionamento dell'utensile.

Installazione o rimozione della batteria (Fig. 1)

- Spegnere sempre l'utensile prima di inserire o di rimuovere la cartuccia batteria.
- Per rimuovere la cartuccia batteria, ritrarla dall'utensile spingendo il bottone sulla parte anteriore della cartuccia batteria.
- Per installare la cartuccia batteria, allineare l'appendice sulla cartuccia batteria con la scanalatura dell'alloggiamento e inserirla in posizione. Inserirla sempre completamente finché non si blocca con un piccolo scatto. Se si vede l'indicatore rosso sulla parte superiore del bottone, vuol dire che non è bloccata completamente. Installarla completamente finché non si vede più l'indicatore rosso. In caso contrario, potrebbe cadere dall'utensile con pericolo di ferite per l'operatore o per chi gli è vicino.

- Per installare la cartuccia batteria non bisogna usare forza. Se la cartuccia batteria non entra facilmente, vuol dire che non viene inserita correttamente.

Sistema di protezione batteria (batteria agli ioni di litio con marchio di stella) (Fig. 2)

Le batterie agli ioni di litio con il marchio di una stella sono dotate di un sistema di protezione. Questo sistema interrompe automaticamente la corrente all'utensile per estendere la vita della batteria.

L'utensile si arresta automaticamente mentre funziona se esso o la batteria vengono a trovarsi in una delle condizioni seguenti:

- Sovraccarico:
L'utensile viene usato in un modo che causa un assorbimento di corrente anormalmente alto.
In tal caso, rilasciare l'interruttore sull'utensile e interrompere l'applicazione che ha causato il sovraccarico. Schiacciare poi di nuovo l'interruttore per riavviare l'utensile.
Se l'utensile non si avvia, vuol dire che la batteria è surriscaldata. In tal caso, lasciare raffreddare la batteria prima di schiacciare di nuovo l'interruttore.
- Bassa tensione della batteria:
La capacità restante della batteria è troppo bassa e l'utensile non funziona. In tal caso, rimuovere e ricaricare la batteria.

Azionamento dell'interruttore (Fig. 3)

ATTENZIONE:

- Prima di inserire la cartuccia batteria nell'utensile, accertarsi sempre che il grilletto dell'interruttore funzioni correttamente e torni sulla posizione "OFF" quando viene rilasciato.

Per avviare l'utensile, schiacciare semplicemente il grilletto dell'interruttore. La velocità dell'utensile aumenta con l'aumento della pressione sul grilletto dell'interruttore. Rilasciare il grilletto dell'interruttore per fermare l'utensile.

Accensione della lampadina anteriore (Fig. 4)

ATTENZIONE:

- Non guardare direttamente la luce della lampadina.

Schiacciare l'interruttore per accendere la lampadina. La lampadina rimane accesa per tutto il tempo che l'interruttore è schiacciato.

La lampadina si spegne automaticamente 10 – 15 secondi dopo che si è rilasciato l'interruttore.

NOTA:

- Usare un panno asciutto per pulire la lente della lampadina. Fare attenzione a non graffiare la lente della lampadina, perché si potrebbe ridurre l'illuminazione.

Azionamento dell'interruttore di inversione (Fig. 5)

Questo utensile è dotato di un interruttore di inversione, per cambiare la direzione di rotazione. Schiacciare la leva dell'interruttore di inversione dal lato A per la rotazione in senso orario, oppure dal lato B per la rotazione in senso antiorario.

Quando la leva dell'interruttore di inversione si trova sulla posizione neutra non è possibile schiacciare il grilletto dell'interruttore.

ATTENZIONE:

- Controllare sempre la direzione di rotazione prima di usare l'utensile.
- Usare l'interruttore di inversione soltanto dopo che l'utensile si è arrestato completamente. Il cambiamento della direzione di rotazione prima dell'arresto dell'utensile potrebbe danneggiarlo.
- Posizionare sempre la leva dell'interruttore di inversione sulla posizione neutra quando non si usa l'utensile.

MONTAGGIO

ATTENZIONE:

- Accertarsi sempre che l'utensile sia spento e che la batteria sia stata rimossa prima di qualsiasi intervento sull'utensile.

Selezione della presa corretta

Usare sempre la presa di dimensioni corrette per i bulloni e i dadi. Una presa di dimensioni sbagliate potrebbe produrre una coppia di serraggio imprecisa e inconsistente e/o danneggiare il bullone o il dado.

Installazione o rimozione della presa (Fig. 6 e 7)

1. Per una presa senza anello ad O e perno
Per installare la presa, spingerla nell'incudine dell'utensile finché non si blocca in posizione.
Per rimuovere la presa, tirarla semplicemente via.
2. Per una presa con anello ad O e perno
Spostare l'anello ad O fuori dalla scanalatura della presa, e togliere il perno dalla presa. Montare la presa sulla testata dell'utensile in modo che il foro della presa sia allineato con il foro della testata. Inserire il perno nel foro della presa e della testata. Rimettere poi l'anello ad O nella sua posizione originale nella scanalatura della presa, per bloccare il perno. Per rimuovere la presa, seguire il procedimento opposto di installazione.

Gancio (Fig. 8)

Il gancio è comodo per appendere temporaneamente l'utensile. Esso può essere installato su uno dei due lati dell'utensile.

Per installare il gancio, inserirlo nella scanalatura su uno dei due lati dell'alloggiamento dell'utensile e fissarlo poi con una vite. Per rimuoverlo, svitare la vite e toglierlo via.

FUNZIONAMENTO

ATTENZIONE:

- Inserire sempre completamente la cartuccia batteria finché non si blocca in posizione. Sulla parte superiore del bottone si può vedere la parte rossa, se non è bloccata completamente. Inserirla completamente finché non si vede più la parte rossa. In caso contrario, potrebbe cadere accidentalmente fuori dall'utensile, causando lesioni all'operatore o a chi è vicino.

Tenere saldamente l'utensile e mettere la chiave sopra il bullone o dado. Accendere l'utensile e stringere con il tempo di serraggio corretto. (Fig. 9)

La coppia di serraggio corretta potrebbe differire secondo il tipo o le dimensioni dei bulloni, il materiale del pezzo da fissare, ecc. Il rapporto tra la coppia e il tempo di serraggio è mostrato nella Fig. 10 e Fig. 11.

NOTA:

- Mantenere diritto l'utensile sul bullone o dado.
- Una coppia di serraggio eccessiva potrebbe danneggiare il bullone/dado o la presa. Prima di cominciare il lavoro, fare sempre una prova per determinare il tempo di serraggio corretto per il bullone o dado.
- Se si fa funzionare continuamente l'utensile finché la batteria si scarica, lasciarlo riposare per 15 minuti prima di continuare il lavoro con una nuova batteria.

Ci sono vari fattori che influenzano la coppia di serraggio, compresi quelli seguenti. Dopo il serraggio, controllare sempre la coppia con una chiave torsiometrica.

1. Quando la cartuccia batteria è quasi completamente scarica, la tensione cala e la coppia di serraggio si riduce.
2. Presa
 - La coppia di serraggio si riduce se non si usa una presa con le dimensioni corrette.
 - La coppia di serraggio si riduce se si usa una presa usurata (usura dell'estremità esagonale o quadrata).
3. Bullone
 - Anche se il coefficiente di coppia e la classe del bullone sono gli stessi, la coppia di serraggio corretta differisce secondo il diametro del bullone.
 - Anche se il diametro dei bulloni è lo stesso, la coppia di serraggio corretta differisce secondo il coefficiente di coppia, la classe e la lunghezza del bullone.
4. L'uso del giunto universale o della barra di prolunga riduce alquanto la forza della avvitatrice a impatto. Compensare con un tempo di serraggio più lungo.
5. La coppia potrebbe essere influenzata dal modo di tenere l'utensile o dal pezzo da fissare.
6. La coppia di serraggio si riduce se si fa funzionare l'utensile a una bassa velocità.

MANUTENZIONE

ATTENZIONE:

- Prima di cercare di eseguire l'ispezione o la manutenzione, assicuratevi sempre che essa sia spenta e che la batteria sia rimossa.
- Mai usare benzina, benzene, solventi, alcol e altre sostanze simili. Potrebbero causare scolorimenti, deformazioni o crepe.

Sostituzione delle spazzole di carbone

Sostituirele quando sono usurate fino al segno del limite. Mantenere le spazzole di carbone pulite e libere di slittare nei portaspazzole. Entrambe le spazzole di carbone devono essere sostituite allo stesso tempo. Usare soltanto spazzole di carbone identiche. **(Fig. 12)**

Usare un cacciavite per togliere le due viti, e rimuovere poi il coperchio posteriore. **(Fig. 13)**

Alzare la parte del braccio della molla e metterlo nella parte incassata dell'alloggiamento usando un cacciavite sottile con punta piatta, o altro attrezzo simile. **(Fig. 14)**

Usare le pinze per rimuovere i tappi delle spazzole di carbone. Estrarre le spazzole di carbone usurate, inserire quelle nuove e rimettere a posto i tappi delle spazzole di carbone con il procedimento inverso. **(Fig. 15 e 16)**

Accertarsi che i tappi delle spazzole di carbone siano entrati saldamente nei fori dei portaspazzole.

Reinstallare il coperchio posteriore e stringere saldamente le due viti.

Per preservare la SICUREZZA e l'AFFIDABILITÀ del prodotto, le riparazioni, la manutenzione o la regolazione devono essere eseguite da un Centro Assistenza Makita autorizzato usando sempre ricambi Makita.

ACCESSORI OPZIONALI

ATTENZIONE:

- In questo manuale si consiglia di usare questi accessori o ricambi Makita. L'impiego di altri accessori o ricambi potrebbe costituire un pericolo di lesioni. Usare esclusivamente gli accessori o ricambi per il loro scopo specificato.

Per maggiori dettagli riguardo a questi accessori, rivolgersi a un centro di assistenza Makita.

- Prese
- Barra di prolunga
- Giunto universale
- Adattatore punta
- Vari tipi di batterie e caricatori genuini Makita

NOTA:

- Alcuni articoli nella lista potrebbero essere inclusi nell'imballo dell'utensile come accessori standard. Essi potrebbero differire da Paese a Paese.

ENG905-1

Rumore

Il tipico livello di rumore pesato A determinato secondo EN60745:

Modello DTW250

Livello pressione sonora (L_{pA}): 90 dB (A)
Livello potenza sonora (L_{WA}): 101 dB (A)
Incertezza (K): 3 dB (A)

Modello DTW251

Livello pressione sonora (L_{pA}): 94 dB (A)
Livello potenza sonora (L_{WA}): 105 dB (A)
Incertezza (K): 3 dB (A)

Indossare i paraorecchi

ENG900-1

Vibrazione

Il valore totale di vibrazione (somma vettore triassiale) determinato secondo EN60745:

Modello DTW250

Modalità operativa: serraggio a impulsi dei dispositivi di fissaggio della capacità massima dell'utensile

Emissione di vibrazione (a_{h1}): 14,5 m/s²

Incertezza (K): 1,5 m/s²

Modello DTW251

Modalità operativa: serraggio a impulsi dei dispositivi di fissaggio della capacità massima dell'utensile

Emissione di vibrazione (a_{h1}): 11,0 m/s²

Incertezza (K): 1,5 m/s²

ENG901-1

- Il valore di emissione delle vibrazioni dichiarato è stato misurato conformemente al metodo di test standard, e può essere usato per paragonare un utensile con un altro.
- Il valore di emissione delle vibrazioni dichiarato può anche essere usato per una valutazione preliminare dell'esposizione.

AVVERTIMENTO:

- L'emissione delle vibrazioni durante l'uso reale dell'utensile elettrico può differire dal valore di emissione dichiarato a seconda dei modi in cui viene usato l'utensile.
- Identificare le misure di sicurezza per la protezione dell'operatore basate sulla stima dell'esposizione nelle condizioni reali d'utilizzo (tenendo presente tutte le parti del ciclo operativo, come le volte in cui l'utensile viene spento e quando gira a vuoto, oltre al tempo di funzionamento).

ENH101-17

Modello per l'Europa soltanto

Dichiarazione CE di conformità

Makita dichiara che la macchina seguente:

Designazione della macchina:
Avvitatrice ad impulso a batteria
Modello No./ Tipo: DTW250, DTW251

Conforme alle Direttive Europee:

2006/42/CE

È stata fabbricata in conformità allo standard e ai documenti standardizzati seguenti:

EN60745

La documentazione tecnica conforme 2006/42/CE è disponibile da:

Makita, Jan-Baptist Vinkstraat 2, 3070, Belgio

31.12.2013



Yasushi Fukaya
Amministratore

Makita, Jan-Baptist Vinkstraat 2, 3070, Belgio

Verklaring van algemene gegevens

1 Rood aanduiding	10 O-ring	19 Bout met hoge trekvastheid
2 Knop	11 Pen	20 Limietmarkering
3 Accu	12 Haak	21 Achterkap
4 Stermarkering	13 Schroef	22 Schroeven
5 Trekschakelaar	14 Groef	23 Veer
6 Lamp	15 Standaardbout	24 Arm
7 Omkeerschakelaar	16 Aantrekkoppel	25 Verdiepte deel
8 Sok	17 Aantrektijd	26 Koolborstelkap
9 Draaistuk	18 Juist aantrekkoppel	27 Opening

TECHNISCHE GEGEVENS

Model		DTW250	DTW251
Capaciteiten	Standaardbout	M10 – M16	M10 – M16
	Bout met hoge trekvastheid	M10 – M14	M10 – M14
Vierkant		12,7 mm	12,7 mm
Toerental onbelast (min ⁻¹)		0 – 2 200	0 – 2 100
Aantal slagen per minuut		0 – 3 200	0 – 3 200
Maximaal aantrekkoppel		230 N•m	230 N•m
Totale lengte		165 mm	165 mm
Netto gewicht		1,6 kg	1,5 kg
Nominale spanning		D.C. 14,4 V	D.C. 18 V

- In verband met ononderbroken research en ontwikkeling behouden wij ons het recht voor bovenstaande technische gegevens te wijzigen zonder voorafgaande kennisgeving.
- De technische gegevens de accu kunnen van land tot land verschillen.
- Gewicht, inclusief accu, volgens de EPTA-procedure 01/2003

ENE036-1

Doeleinden van gebruik

Dit gereedschap is bedoeld voor het vastdraaien van bouten en moeren.

GEA010-1

Algemene veiligheidswaarschuwingen voor elektrisch gereedschap

⚠ WAARSCHUWING! Lees alle veiligheidswaarschuwingen en alle instructies. Het niet volgen van de waarschuwingen en instructies kan leiden tot elektrische schokken, brand en/of ernstig letsel.

Bewaar alle waarschuwingen en instructies om in de toekomst te kunnen raadplegen.

GEB049-2

VEILIGHEIDSWAARSCHUWINGEN SPECIFIEK VOOR EEN SNOERLOZE SLAGMOERSLEUTEL

1. **Houd elektrisch gereedschap vast bij het geïsoleerde oppervlak van de handgrepen wanneer u werkt op plaatsen waar het bevestigingsmateriaal in aanraking kan komen met verborgen bedrading.** Wanneer bevestigingsmaterialen in aanraking komen met onder spanning staande draden, zullen de niet-geïsoleerde metalen delen van het gereedschap onder spanning komen te staan zodat de gebruiker een elektrische schok kan krijgen.

2. **Draag oorbeschermers.**
3. **Controleer de sok nauwkeurig op slijtage, scheuren of beschadiging alvorens deze op het gereedschap te monteren.**
4. **Houd het gereedschap stevig vast.**
5. **Zorg ervoor dat u altijd stevige steun voor de voeten hebt.**
Controleer of er niemand beneden u aanwezig is wanneer u het gereedschap op een hoge plaats gaat gebruiken.
6. **Het juiste aantrekkoppel kan verschillen afhankelijk van de soort of grootte van de bout. Controleer het aantrekkoppel met een momentsleutel.**

BEWAAR DEZE VOORSCHRIFTEN.

WAARSCHUWING:

Laat u NIET misleiden door een vals gevoel van comfort en bekendheid met het gereedschap (na veelvuldig gebruik) en neem alle veiligheidsvoorschriften van het betreffende gereedschap altijd strikt in acht. **VERKEERD GEBRUIK** of het niet naleven van de veiligheidsvoorschriften in deze gebruiksaanwijzing kan leiden tot ernstige verwondingen.

ENC007-7

BELANGRIJKE VEILIGHEIDSVORSCHRIFTEN

VOOR ACCU

1. **Lees alle voorschriften en waarschuwingen op (1) de acculader, (2) de accu, en (3) het product waarvoor de accu wordt gebruikt, aandachtig door alvorens de acculader in gebruik te nemen.**

2. **Neem de accu niet uit elkaar.**
3. **Als de gebruikstijd van een opgeladen accu aanzienlijk korter is geworden, moet u het gebruik ervan onmiddellijk stopzetten.** Voortgezet gebruik kan oververhitting, brandwonden en zelfs een ontploffing veroorzaken.
4. **Als er elektrolyt in uw ogen is terechtgekomen, spoel dan uw ogen met schoon water en roep onmiddellijk de hulp van een dokter in.** Elektrolyt in de ogen kan blindheid veroorzaken.
5. **Voorkom kortsluiting van de accu:**
 - (1) **Raak de accuklemmen nooit aan met een geleidend materiaal.**
 - (2) **Bewaar de accu niet in een bak waarin andere metalen voorwerpen zoals spijkers, munten e.d. worden bewaard.**
 - (3) **Stel de accu niet bloot aan water of regen.** Kortsluiting van de accu kan oorzaak zijn van een grote stroomafgifte, oververhitting, brandwonden, en zelfs defecten.
6. **Bewaar het gereedschap en de accu niet op plaatsen waar de temperatuur kan oplopen tot 50°C of hoger.**
7. **Werp de accu nooit in het vuur, ook niet wanneer hij zwaar beschadigd of volledig versleten is. De accu kan namelijk ontploffen in het vuur.**
8. **Wees voorzichtig dat u de accu niet laat vallen en hem niet blootstelt aan schokken of stoten.**
9. **Gebruik nooit een beschadigde accu.**

BEWAAR DEZE VOORSCHRIFTEN

Tips voor een maximale levensduur van de accu

1. **Laad de accu op voordat hij volledig ontladen is. Stop het gebruik van het gereedschap en laad de accu op telkens wanneer u vaststelt dat het vermogen van het gereedschap is afgenomen.**
2. **Laad een volledig opgeladen accu nooit opnieuw op. Als u de accu te veel oplaadt, zal hij minder lang meegaan.**
3. **Laad de accu op bij een kamertemperatuur tussen 10°C en 40°C. Laat een warme accu afkoelen alvorens hem op te laden.**
4. **Laad de accu zeker elk half jaar een keer op, ook als u deze geruime tijd lang niet gebruikt.**

BESCHRIJVING VAN DE FUNCTIES

LET OP:

- Zorg altijd dat het gereedschap is uitgeschakeld en de accu ervan is verwijderd alvorens de functies op het gereedschap af te stellen of te controleren.

Installeren of verwijderen van de accu (Fig. 1)

- Schakel het gereedschap altijd uit alvorens de accu te installeren of te verwijderen.
- Om de accu uit het gereedschap te halen, verschuift u de knop op de voorkant van de accu en trekt u de accu eraf.
- Om de accu te installeren, doet u de tong op de accu overeenkomen met de groef in de behuizing en dan schuift u de accu erin. Schuif de accu zo ver mogelijk erin totdat deze op zijn plaats vastklikt. Als u de rode aanduiding boven de knop kunt zien, is ze niet volledig vergrendeld. Breng de accu dan steviger aan zodat de rode aanduiding niet meer zichtbaar is. Als u dit niet doet, kan de accu per ongeluk eruit vallen en uzelf of andere personen in uw omgeving verwonden.

- Probeer nooit om de accu met geweld te installeren. Als de accu er niet gemakkelijk ingaat, betekent dit dat u hem niet op de juiste wijze erin steekt.

Accu beveiligingssysteem (lithium-ionenaccu met een stermerking) (Fig. 2)

Lithium-ionenaccu's met een stermerking zijn voorzien van een beveiligingssysteem. Dat kan automatisch de stroomtoevoer afsluiten om de levensduur van de accu te verlengen.

Het gereedschap kan tijdens gebruik automatisch stoppen wanneer het gereedschap en/of de accu aan één van de volgende omstandigheden wordt blootgesteld:

- **Overbelasting:**
 - Als het gereedschap wordt gebruikt op een manier die een abnormaal hoge stroomsterkte vergt. In dat geval laat u de trekschakelaar van het gereedschap los en verhelpt u de oorzaak van de overbelasting. Vervolgens drukt u de trekschakelaar weer in om het gereedschap te herstarten.
 - Als het gereedschap niet start, kan de accu oververhit zijn. In dat geval laat u de accu even afkoelen voordat u de trekschakelaar opnieuw indrukt.
- **Onvoldoende accuspanning:**
 - Als de resterende accuspanning onvoldoende is, zal het gereedschap niet starten. In dat geval verwijderd u de accu en laadt u die opnieuw op.

Werking van de trekschakelaar (Fig. 3)

LET OP:

- Alvorens de accu in het gereedschap te plaatsen, moet u altijd controleren of de trekschakelaar juist werkt en bij loslaten naar de "OFF" positie terugkeert.

Om het gereedschap te starten, drukt u gewoon de trek-schakelaar in. Oefen meer druk uit op de trekschakelaar om het toerental te vermeerderen. Om het gereedschap te stoppen, de trekschakelaar loslaten.

Aanzetten van de voorlamp (Fig. 4)

LET OP:

- Kijk niet direct in het lamplicht of in de lichtbron.

Druk de trekschakelaar in om de lamp aan te zetten. De lamp blijft branden zolang als de trekschakelaar wordt ingedrukt.

De lamp gaat 10 tot 15 seconden nadat de aan/uit-schakelaar is losgelaten automatisch uit.

OPMERKING:

- Gebruik een droge doek om vuil op de lamp eraf te vegen. Pas op dat u geen krassen maakt op de lamp-lens, omdat de verlichtingssterkte daardoor kan verminderen.

Werking van de omkeerschakelaar (Fig. 5)

Dit gereedschap heeft een omkeerschakelaar voor het veranderen van de draairichting. Druk de omkeerschakelaar in vanaf zijde A voor rechtse draairichting, of vanaf zijde B voor linkse draairichting.

Wanneer deze omkeerschakelaar in de neutrale stand staat, kan de trekschakelaar niet worden ingedrukt.

LET OP:

- Controleer altijd de draairichting alvorens het gereedschap te gebruiken.
- Verander de stand van de omkeerschakelaar alleen nadat het gereedschap volledig tot stilstand is gekomen. Indien u de draairichting verandert terwijl de boor nog draait, kan het gereedschap beschadigd raken.
- Zet de omkeerschakelaar altijd in de neutrale stand wanneer u het gereedschap niet gebruikt.

INEENZETTEN

LET OP:

- Zorg altijd dat het gereedschap is uitgeschakeld en de accu ervan is verwijderd alvorens enig werk aan het gereedschap uit te voeren.

Selecteren van de juiste sok

Gebruik altijd een sok van de juiste maat voor het vastdraaien van bouten en moeren. Het gebruik van een sok van de onjuiste maat zal een onnauwkeurig of onregelmatig aantrekkoppel en/of beschadiging van de bout of moer tot gevolg hebben.

Installeren of verwijderen van de sok (Fig. 6 en 7)

1. Voor een sok zonder O-ring en pen
Installeer de sok door deze op het draaistuk van het gereedschap te duwen totdat de sok op zijn plaats vergrendelt.
Om de sok te verwijderen, trekt u deze gewoon eraf.
2. Voor een sok met O-ring en pen
Verwijder de O-ring uit de groef in de sok en verwijder de pen uit de sok. Schuif de sok over het draaistuk van het gereedschap zodat het gat in de sok op één lijn komt met het gat in het draaistuk. Steek de pen door het gat in de sok en in het draaistuk. Breng de O-ring weer op zijn oorspronkelijke plaats in de groef aan, zodat de pen op zijn plaats wordt gehouden. Om de sok te verwijderen, voert u deze procedure in omgekeerde volgorde uit.

Haak (Fig. 8)

De haak is handig om het gereedschap tijdelijk aan op te hangen. De haak kan aan beide kanten van het gereedschap worden bevestigd.

U bevestigt de haak door deze in een groef in de behuizing van het gereedschap te steken en vast te zetten met een schroef. Om de haak te verwijderen, draait u de schroef los en haalt u de haak van het gereedschap af.

BEDIENING

LET OP:

- Steek de accu altijd zo ver mogelijk erin totdat hij goed op zijn plaats vastzit. Als het rode gedeelte op de bovenkant van de knop nog zichtbaar is, zit de accu niet volledig erin. Steek hem volledig erin totdat het rode gedeelte niet meer zichtbaar is. Als de accu niet goed erin zit, kan hij per ongeluk uit het gereedschap vallen en kunt u of kunnen anderen in uw omgeving verwonding oplopen.

Houd het gereedschap stevig vast en plaats de sok over de bout of moer. Schakel het gereedschap in en draai vast binnen de juiste aantrektijd. (Fig. 9)

Het juiste aantrekkoppel hangt van het soort of de grootte van de bout, het materiaal van het te bevestigen werkstuk, enz. De verhouding tussen het aantrekkoppel en de aantrektijd is aangegeven in Fig. 10 en Fig. 11.

OPMERKING:

- Houd het gereedschap recht voor de bout of moer.
- Een te hoog aandraaimoment kan de bout/moer of dop beschadigen. Voordat u het eigenlijke werk begint voert u daarom altijd eerst een proefbediening uit om het juiste aandraaimoment voor de bout of moer te bepalen.
- Wanneer u het gereedschap doorlopend gebruikt totdat de accu leeg is, moet u het gereedschap 15 minuten laten rusten alvorens met een verse accu verder te werken.

Het aantrekkoppel wordt beïnvloed door een aantal verschillende factoren, waaronder de volgende. Controleer na het vastdraaien altijd het aantrekkoppel met een momentsleutel.

1. Wanneer de accu bijna leeg is, neemt het voltage af en vermindert het aantrekkoppel.
2. Sok
 - Het gebruik van een sok van de onjuiste maat zal resulteren in een te laag aantrekkoppel.
 - Een versleten sok (slijtage op het zeskante of vierkante uiteinde) zal resulteren in een te laag aantrekkoppel.
3. Bout
 - Zelfs wanneer de koppelverhouding en de klasse van de bout overeenkomen, kan door verschillen in de diameter van de bouten het juiste aantrekkoppel per bout toch afwijken.
 - Ook al zijn de diameters van twee bouten gelijk, dan kunnen er nog verschillen in het juiste aantrekkoppel van de twee bouten optreden ten gevolge van verschillen in de koppelverhouding en de klasse en lengte van de bouten.
4. Het aantrekkoppel is iets lager wanneer een kogelgewrichtverbinding of verlengstaaf wordt gebruikt. U kunt dit verlies aan aantrekkoppel compenseren door de aantrektijd te verlengen.
5. Het aantrekkoppel wordt beïnvloed door de manier van vasthouden van het gereedschap of door het materiaal waarin de bout wordt vastgedraaid.
6. Het aantrekkoppel vermindert wanneer het gereedschap bij lage snelheid wordt gebruikt.

ONDERHOUD

LET OP:

- Controleer altijd of het gereedschap is uitgeschakeld en de accu is losgekoppeld voordat u begint met inspectie of onderhoud.
- Gebruik nooit benzine, wasbenzine, thinner, alcohol en dergelijke. Hierdoor het verkleuring, vervormingen en barsten worden veroorzaakt.

Vervangen van koolborstels

Vervang de koolborstels wanneer ze tot aan de limietmarkering versleten zijn. Houd de koolborstels schoon zodat ze goed in de houders glijden. Beide koolborstels dienen tegelijkertijd te worden vervangen. Gebruik uitsluitend identieke koolborstels. (Fig. 12)

Verwijder met behulp van een schroevendraaier de twee schroeven en vervolgens de achterkap. (Fig. 13)

Til de arm van de veer op en plaats deze vervolgens in het verdiepte deel van de behuizing met behulp van een platkopschroevendraaier, een dunne steel, of iets dergelijks. (Fig. 14)

Verwijder de koolborstelkap van de koolborstels met behulp van een tang. Haal de versleten koolborstels eruit, plaats de nieuwe erin, en plaats de koolborstelkappen in omgekeerde volgorde terug. **(Fig. 15 en 16)** Zorg ervoor dat iedere koolborstelkap goed in de openingen in de borstelhouder valt.

Plaats de achterkap terug en draai de twee schroeven stevig aan.

Om de VEILIGHEID en BETROUWBAARHEID van het product te handhaven, dienen alle reparaties en alle andere onderhoudswerkzaamheden of afstellingen te worden uitgevoerd door een erkend Makita Servicecentrum, en dat uitsluitend met gebruik van Makita vervangingsonderdelen.

OPTIONELE ACCESSOIRES

LET OP:

- Deze accessoires of hulpstukken worden aanbevolen voor gebruik met het Makita gereedschap dat in deze gebruiksaanwijzing is beschreven. Bij gebruik van andere accessoires of hulpstukken bestaat er gevaar voor persoonlijke verwonding. Gebruik de accessoires of hulpstukken uitsluitend voor hun bestemd doel.

Wenst u meer bijzonderheden over deze accessoires, neem dan contact op met het plaatselijke Makita servicecentrum.

- Sokken
- Verlengstaaf
- Aantrekoppel
- Bitadapter
- Diverse types originele Makita accu's en acculaders

OPMERKING:

- Sommige van de onderdelen in deze lijst kunnen bijgeleverd zijn als standaard-accessoires. Deze accessoires kunnen per land verschillend zijn.

ENG905-1

Geluidsniveau

De typisch, A-gewogen geluidsniveaus vastgesteld volgens EN60745:

Model DTW250

Geluidsdrukniveau (L_{pA}): 90 dB (A)
Geluidsenergie-niveau (L_{WA}): 101 dB (A)
Onnauwkeurigheid (K): 3 dB (A)

Model DTW251

Geluidsdrukniveau (L_{pA}): 94 dB (A)
Geluidsenergie-niveau (L_{WA}): 105 dB (A)
Onnauwkeurigheid (K): 3 dB (A)

Draag oorbeschermers

ENG900-1

Trilling

De totaalwaarde van de trillingen (triaxiale vectorsom) vastgesteld volgens EN60745:

Model DTW250

Toepassing: bevestigen met behulp van slagwerking van bevestigingsmiddelen tot de maximale capaciteit van het gereedschap
Trillingsemisatie (a_{hT}): 14,5 m/s²
Onnauwkeurigheid (K): 1,5 m/s²

Model DTW251

Toepassing: bevestigen met behulp van slagwerking van bevestigingsmiddelen tot de maximale capaciteit van het gereedschap
Trillingsemisatie (a_{hT}): 11,0 m/s²
Onnauwkeurigheid (K): 1,5 m/s²

ENG901-1

- De opgegeven trillingsemisatiewaarde is gemeten volgens de standaardtestmethode en kan worden gebruikt om dit gereedschap te vergelijken met andere gereedschappen.
- De opgegeven trillingsemisatiewaarde kan ook worden gebruikt voor een beoordeling vooraf van de blootstelling.

WAARSCHUWING:

- De trillingsemisatie tijdens het gebruik van het elektrisch gereedschap in de praktijk kan verschillen van de opgegeven trillingsemisatiewaarde afhankelijk van de manier waarop het gereedschap wordt gebruikt.
- Zorg ervoor dat veiligheidsmaatregelen worden getroffen ter bescherming van de operator die zijn gebaseerd op een schatting van de blootstelling onder praktijkomstandigheden (rekening houdend met alle fasen van de bedrijfscyclus, zoals de tijdsduur gedurende welke het gereedschap is uitgeschakeld en stationair draait, naast de ingeschakelde tijdsduur).

ENH101-17

Aleen voor Europese landen

EU-Verklaring van Conformiteit

Makita verklaart hierbij dat de volgende machine(s):

Aanduiding van de machine:

Snoerloze slagmoersleutel

Modelnr./ Type: DTW250, DTW251

Voldoet aan de volgende Europese Richtlijnen:

2006/42/EU

Ze zijn gefabriceerd in overeenstemming met de volgende norm of genormaliseerde documenten:

EN60745

Het technisch documentatiebestand volgens 2006/42/EU is verkrijgbaar in:

Makita, Jan-Baptist Vinkstraat 2, 3070, België

31.12.2013



Yasushi Fukaya
Directeur

Makita, Jan-Baptist Vinkstraat 2, 3070, België

Explicación de los dibujos

- | | | |
|----------------------------|--|-----------------------------------|
| 1 Indicador rojo | 11 Pasador | 20 Marca de límite |
| 2 Botón | 12 Gancho | 21 Cubierta posterior |
| 3 Cartucho de batería | 13 Tornillo | 22 Tornillos |
| 4 Marca de estrella | 14 Ranura | 23 Resorte |
| 5 Interruptor de gatillo | 15 Perno estándar | 24 Brazo |
| 6 Lámpara | 16 Par de apriete | 25 Parte rebajada |
| 7 Interruptor de inversión | 17 Tiempo de apriete | 26 Tapa de la escobilla de carbón |
| 8 Manguito | 18 Para de apriete apropiado | 27 Orificio |
| 9 Acoplador | 19 Perno de gran resistencia a la tracción | |

EESPECIFICACIONES

Modelo		DTW250	DTW251
Capacidades	Perno estándar	M10 – M16	M10 – M16
	Perno de gran resistencia a la tracción	M10 – M14	M10 – M14
Adaptador cuadrado		12,7 mm	12,7 mm
Velocidad en vacío (min ⁻¹)		0 – 2.200	0 – 2.100
Impactos por minuto		0 – 3.200	0 – 3.200
Par de apriete máximo		230 N•m	230 N•m
Longitud total		165 mm	165 mm
Peso neto		1,6 kg	1,5 kg
Tensión nominal		C.c. 14,4 V	C.c. 18 V

- Debido a un continuado programa de investigación y desarrollo, las especificaciones aquí ofrecidas quedan sujetas a cambios sin previo aviso.
 - Las especificaciones y el cartucho de batería pueden diferir de país a país.
 - Peso, con el cartucho de batería, de acuerdo con el procedimiento EPTA 01/2003
- ENE036-1
2. **Póngase protectores oídos.**
 3. **Compruebe el con cuidado que el manguito no esté desgastado, agrietado ni dañado antes de instalarlo.**
 4. **Sostenga firmemente la herramienta.**
 5. **Asegúrese siempre de que el piso bajo sus pies sea firme.**
Asegúrese de que no haya nadie debajo cuando utilice la herramienta en lugares elevados.
 6. **El par de apriete apropiado podrá variar en función del tipo o tamaño del perno. Compruebe el par de apriete con una llave de torsión.**

Uso previsto

La herramienta ha sido prevista para apretar pernos y tuercas.

GEA010-1

Advertencias de seguridad generales para herramientas eléctricas

⚠ ¡ADVERTENCIA! Lea todas las advertencias de seguridad y todas las instrucciones. Si no sigue todas las advertencias e instrucciones podrá ocasionar una descarga eléctrica, un incendio y/o heridas graves.

Guarde todas las advertencias e instrucciones para futuras referencias.

GEB049-2

ADVERTENCIAS DE SEGURIDAD PARA LA LLAVE DE IMPACTO A BATERÍA

1. **Cuando realice una operación en la que la herramienta eléctrica pueda entrar en contacto con cableado oculto, sujete la herramienta eléctrica por las superficies de asiento aisladas.** El contacto la herramienta eléctrica con un cable con corriente hará que la corriente circule por las partes metálicas expuestas de la herramienta eléctrica y podrá soltar una descarga eléctrica al operario.

GUARDE ESTAS INSTRUCCIONES.

ADVERTENCIA:

NO deje que la comodidad o familiaridad con el producto (a base de utilizarlo repetidamente) sustituya la estricta observancia de las normas de seguridad para el producto en cuestión. El **MAL USO** o el no seguir las normas de seguridad establecidas en este manual de instrucciones podrá ocasionar graves heridas personales.

INSTRUCCIONES DE SEGURIDAD IMPORTANTES

PARA EL CARTUCHO DE BATERÍA

1. Antes de utilizar el cartucho de batería, lea todas las instrucciones e indicaciones de precaución sobre (1) el cargador de baterías, (2) la batería, y (3) el producto con el que se utiliza la batería.
2. No desarme el cartucho de batería.
3. Si el tiempo de uso del cartucho de batería se acorta demasiado, deje de usarlo inmediatamente. Podría resultar en un riesgo de recalentamiento, posibles quemaduras e incluso una explosión.
4. Si entra electrólito en sus ojos, aclárelos con agua limpia y vea a un médico inmediatamente. Existe el riesgo de poder perder la vista.
5. No cortocircuite el cartucho de batería:
 - (1) No toque los terminales con ningún material conductor.
 - (2) Evite guardar el cartucho de batería en un cajón junto con otros objetos metálicos, tales como clavos, monedas, etc.
 - (3) No exponga el cartucho de batería al agua ni a la lluvia.

Un cortocircuito en la batería puede producir una gran circulación de corriente, un recalentamiento, posibles quemaduras e incluso una rotura de la misma.

6. No guarde la herramienta ni el cartucho de batería en lugares donde la temperatura pueda alcanzar o exceder los 50°C.
7. Nunca incinere el cartucho de batería incluso en el caso de que esté dañado seriamente o ya no sirva en absoluto. El cartucho de batería puede explotar si se tira al fuego.
8. Tenga cuidado de no dejar caer ni golpear el cartucho de batería.
9. No utilice una batería dañada.

GUARDE ESTAS INSTRUCCIONES.

Consejos para alargar al máximo la vida de servicio de la batería

1. Cargue el cartucho de batería antes de que se descargue completamente. Pare siempre la operación y cargue el cartucho de batería cuando note menos potencia en la herramienta.
2. No cargue nunca un cartucho de batería que esté completamente cargado. La sobrecarga acortará la vida de servicio de la batería.
3. Cargue el cartucho de batería a temperatura ambiente de 10°C – 40°C. Si un cartucho de batería está caliente, déjelo enfriar antes de cargarlo.
4. Cargue el cartucho de batería una vez cada seis meses si no lo utiliza durante un periodo de tiempo prolongado.

DESCRIPCIÓN DEL FUNCIONAMIENTO

PRECAUCIÓN:

- Asegúrese siempre de que la herramienta esté apagada y el cartucho de batería extraído antes de realizar cualquier ajuste o comprobación en la herramienta.

Instalación o desmontaje del cartucho de batería (Fig. 1)

- Apague siempre la herramienta antes de instalar o extraer el cartucho de batería.
- Para extraer el cartucho de batería, deslícelo de la herramienta a la vez que desliza el botón de la parte frontal del cartucho.
- Para instalar el cartucho de batería, alinee la lengüeta del cartucho de batería con la acanaladura del alojamiento y deslícelo hasta encajarlo en su sitio. Insértelo siempre a tope hasta que quede bloqueado en su sitio produciendo un chasquido. Si puede ver el indicador rojo en el lado superior del botón, no estará bloqueado completamente. Instálelo completamente hasta que no pueda verse el indicador rojo. De lo contrario, podrá caerse de la herramienta accidentalmente, pudiendo ocasionarle heridas a usted o a alguien cerca de usted.
- No emplee fuerza cuando instale el cartucho de batería. Si el cartucho no se desliza al interior fácilmente, será porque no está siendo insertado correctamente.

Sistema de protección de la batería (Batería de litio-ión con marca de estrella) (Fig. 2)

Las baterías de litio-ión con marca de estrella están equipadas con un sistema de protección. Este sistema corta automáticamente la alimentación de la herramienta para alargar la vida útil de la batería.

La herramienta se detendrá automáticamente durante la operación si la herramienta y/o la batería son puestas en una de las condiciones siguientes:

- Sobrecargada:
 - La herramienta es utilizada de una manera que da lugar a que tenga que absorber una corriente anormalmente alta.
 - En esta situación, suelte el gatillo interruptor de la herramienta y detenga la tarea que ocasiona la sobrecarga de la herramienta. Después apriete el gatillo interruptor otra vez para volver a ponerla en marcha.
 - Si la herramienta no se pone en marcha, la batería estará recalentada. En esta situación, deje que la batería se enfríe antes de apretar el gatillo interruptor otra vez.
- Suelte baja en la batería:
 - La capacidad de batería restante es muy baja y la herramienta no funcionará. En esta situación, extraiga la batería y vuelva a cargarla.

Accionamiento del interruptor (Fig. 3)

PRECAUCIÓN:

- Antes de insertar el cartucho de batería en la herramienta, compruebe siempre que el interruptor de gatillo se acciona debidamente y que vuelve a la posición "OFF" cuando lo suelta.

Para poner en marcha la herramienta, apriete el gatillo simplemente. La velocidad de la herramienta aumenta incrementando la presión en el gatillo. Suelte el gatillo para pararla.

Iluminación de la lámpara delantera (Fig. 4)

PRECAUCIÓN:

- No mire a la luz ni vea la fuente de luz directamente.

Apriete el interruptor de gatillo para encender la lámpara. La lámpara seguirá encendida mientras el interruptor de gatillo esté siendo apretado.

La luz se apagará automáticamente 10 – 15 segundos después de soltar el interruptor de gatillo.

NOTA:

- Utilice un paño seco para quitar la suciedad de la lente de la lámpara. Tenga cuidado de no rayar la lente de la lámpara, porque podrá disminuir la iluminación.

Accionamiento del interruptor de inversión (Fig. 5)

Esta herramienta tiene un interruptor de inversión para cambiar la dirección de rotación. Presione el interruptor de inversión del lado A para que gire hacia la derecha o el del lado B para que gire hacia la izquierda.

Cuando el interruptor de inversión esté en la posición neutral, el interruptor de gatillo no podrá ser accionado.

PRECAUCIÓN:

- Compruebe siempre la dirección de rotación antes de realizar la operación de trabajo.
- Emplee el conmutador de inversión sólo después de que la herramienta esté completamente parada. Si cambia la dirección de rotación antes de que la herramienta se pare podrá dañarla.
- Cuando no utilice la herramienta, ponga siempre el interruptor de inversión en la posición neutral.

MONTAJE

PRECAUCIÓN:

- Asegúrese siempre de que la herramienta esté apagada y el cartucho de batería extraído antes de realizar cualquier trabajo en la herramienta.

Selección del manguito correcto

Utilice siempre el manguito de tamaño correcto para pernos y tuercas. El utilizar un manguito de tamaño incorrecto resultará en un par de apriete impreciso e inconsistente y/o en daños al perno o a la tuerca.

Instalación o extracción del manguito (Fig. 6 y 7)

1. Para manguito sin junta tórica ni pasador
Para instalar el manguito, empujelo contra el acoplador de la herramienta hasta que quede bloqueado en posición.
Para extraer el manguito, sáquelo tirando de él simplemente.
2. Para manguito con junta tórica y pasador
Extraiga la junta tórica de la ranura del manguito y saque el pasador del manguito. Encaje el manguito en el acoplador de la herramienta de manera que el orificio del manguito quede alineado con el orificio del acoplador. Introduzca el pasador a través de los orificios del manguito y del acoplador. Luego vuelva a colocar la junta tórica en su posición original de la ranura del manguito para retener el pasador. Para extraer el manguito, siga el procedimiento de instalación a la inversa.

Gancho (Fig. 8)

El gancho resulta útil para colgar temporalmente la herramienta. Se puede instalar en cualquiera de los lados de la herramienta.

Para instalar el gancho, insértelo en una ranura de cualquiera de los costados del alojamiento de la herramienta y después sujételo con un tornillo. Para quitarlo, afloje el tornillo y después sáquelo.

OPERACIÓN

PRECAUCIÓN:

- Inserte siempre el cartucho de batería a tope hasta que quede bloqueado en posición. Si puede ver la parte roja de la parte superior del botón, no estará bloqueado completamente. Insértelo totalmente hasta que no pueda verse la parte roja. En caso contrario, podrá caerse accidentalmente de la herramienta y causarle heridas a usted o a alguien cerca de usted.

Sujete firmemente la herramienta y ponga el manguito sobre el perno o la tuerca. Ponga en marcha la herramienta y apriete durante el tiempo de apriete apropiado. (Fig. 9)

El par de apriete apropiado podrá variar en función del tipo o tamaño del perno, del material de la pieza de trabajo a apretar, etc. La relación entre el par de apriete y el tiempo de apriete se muestra en la Fig. 10 y Fig. 11.

NOTA:

- Sujete la herramienta orientada en línea recta al perno o tuerca.
- Una torsión de apriete excesiva puede dañar el perno/tuerca o el manguito. Antes de comenzar la tarea, realice siempre una operación de prueba para determinar el tiempo de apriete apropiado para el perno o la tuerca que quiere apretar.
- Si la herramienta es utilizada continuamente hasta que se haya descargado el cartucho de batería, deje descansar la herramienta durante 15 minutos antes de proceder con una batería fresca.

El par de apriete se ve afectado por una amplia variedad de factores incluyendo los siguientes. Después del apriete, compruebe siempre el par de apriete con una llave de torsión.

1. Cuando el cartucho de batería se descargue casi por completo, la tensión disminuirá y el par de apriete se reducirá.
2. Manguito
 - El no utilizar el manguito de tamaño apropiado ocasionará una disminución del par de apriete.
 - Un manguito desgastado (en el extremo hexagonal o cuadrado) provocará una disminución del par de apriete.
3. Perno
 - Incluso en el caso de que el coeficiente del par de apriete y el tipo de perno sean los mismos, el par de apriete apropiado diferirá según el diámetro del perno.
 - Incluso en el caso de que los diámetros de los pernos sean los mismos, el par de apriete apropiado diferirá según el coeficiente del par de apriete, el tipo de perno y la longitud del mismo.
4. El empleo de una junta universal o de la barra de extensión reducirá en cierta medida la fuerza de apriete de la llave de impacto. Compénsela apretando durante más tiempo.

5. La forma de sostener la herramienta o el material en la posición a apretar afectará a la torsión.
6. La operación de la herramienta a baja velocidad ocasionará una reducción del par de apriete.

MANTENIMIENTO

PRECAUCIÓN:

- Asegúrese siempre de que la herramienta está apagada y de que el cartucho de baterías está quitado antes de intentar hacer una inspección o mantenimiento.
- No utilice nunca gasolina, bencina, disolvente, alcohol o similares. Podría producir descoloración, deformación o grietas.

Substitución de las escobillas de carbón

Reemplácelas cuando se hayan desgastado hasta la marca límite. Mantenga las escobillas de carbón limpias de forma que entren libremente en los portaescobillas. Deberán reemplazarse ambas escobillas de carbón al mismo tiempo. Utilice únicamente escobillas de carbón idénticas. **(Fig. 12)**

Utilice un destornillador para quitar los dos tornillos y después quite la cubierta posterior. **(Fig. 13)**

Levante la parte del brazo del resorte y después póngala en la parte rebajada del alojamiento con un destornillador de punta plana de eje largo y fino o similar. **(Fig. 14)**

Utilice unos alicates para quitar las tapas de las escobillas de carbón. Extraiga las escobillas de carbón desgastadas, inserte las nuevas y vuelva a colocar las tapas de las escobillas de carbón en sentido inverso. **(Fig. 15 y 16)**

Asegúrese de que la tapa de las escobillas de carbón ha encajado en los agujeros de los portaescobillas firmemente. Vuelva a instalar la cubierta posterior y apriete los dos tornillos firmemente.

Para mantener la SEGURIDAD y la FIABILIDAD del producto, las reparaciones y cualquier otro mantenimiento o ajuste deberán ser realizados por los centros de servicio autorizado de Makita, siempre con piezas de repuesto de Makita.

ACCESORIOS OPCIONALES

PRECAUCIÓN:

Estos accesorios o acoplamientos están recomendados para utilizar con su herramienta Makita especificada en este manual. El empleo de cualesquiera otros accesorios o acoplamientos conllevará un riesgo de sufrir heridas personales. Utilice los accesorios o acoplamientos solamente para su fin establecido.

Si necesita cualquier ayuda para más detalles en relación con estos accesorios, pregunte a su centro de servicio Makita local.

- Manguitos
- Barra de extensión
- Junta universal
- Adaptador de implemento
- Diferentes tipos de baterías y cargadores genuinos de Makita

NOTA:

- Algunos elementos de la lista podrán estar incluidos en el paquete de la herramienta como accesorios estándar. Pueden variar de un país a otro.

Ruido

El nivel de ruido A-ponderado típico determinado de acuerdo con la norma EN60745:

Modelo DTW250

Nivel de presión sonora (L_{pA}): 90 dB (A)
 Nivel de potencia sonora (L_{WA}): 101 dB (A)
 Error (K): 3 dB (A)

Modelo DTW251

Nivel de presión sonora (L_{pA}): 94 dB (A)
 Nivel de potencia sonora (L_{WA}): 105 dB (A)
 Error (K): 3 dB (A)

Póngase protectores en los oídos

ENG900-1

Vibración

El valor total de la vibración (suma de vectores triaxiales) determinado de acuerdo con la norma EN60745:

Modelo DTW250

Modo tarea: apretado por impacto de tornillos de la máxima capacidad de la herramienta
 Emisión de vibración (a_{h1}): 14,5 m/s²
 Error (K): 1,5 m/s²

Modelo DTW251

Modo tarea: apretado por impacto de tornillos de la máxima capacidad de la herramienta
 Emisión de vibración (a_{h1}): 11,0 m/s²
 Error (K): 1,5 m/s²

ENG901-1

- El valor de emisión de vibración declarado ha sido medido de acuerdo con el método de prueba estándar y se puede utilizar para comparar una herramienta con otra.
- El valor de emisión de vibración declarado también se puede utilizar en una valoración preliminar de exposición.

ADVERTENCIA:

- La emisión de vibración durante la utilización real de la herramienta eléctrica puede variar del valor de emisión declarado dependiendo de las formas en las que la herramienta sea utilizada.
- Asegúrese de identificar medidas de seguridad para proteger al operario que estén basadas en una estimación de la exposición en las condiciones reales de utilización (teniendo en cuenta todas las partes del ciclo operativo tal como las veces cuando la herramienta está apagada y cuando está funcionando en vacío además del tiempo de gatillo).

Para países europeos solamente

Declaración de conformidad CE

Makita declara que la(s) máquina(s) siguiente(s):

Designación de máquina:

Llave de impacto a batería

Modelo N°/ Tipo: DTW250, DTW251

Cumplen con las directivas europeas siguientes:

2006/42/CE

Están fabricadas de acuerdo con las normas o documentos normalizados siguientes:

EN60745

El archivo técnico de acuerdo con la norma 2006/42/CE está disponible en:

Makita, Jan-Baptist Vinkstraat 2, 3070, Bélgica

31.12.2013



Yasushi Fukaya
Director

Makita, Jan-Baptist Vinkstraat 2, 3070, Bélgica

Explicação geral

1	Indicador vermelho	10	Anel em O	20	Marca limite
2	Botão	11	Pino	21	Cobertura traseira
3	Bateria	12	Gancho	22	Parafusos
4	Marca de estrela	13	Parafuso	23	Mola
5	Gatilho	14	Ranhura	24	Braço
6	Lâmpada	15	Porca normal	25	Parte retraída
7	Alavanca do interruptor de inversão	16	Binário de aperto	26	Tampa da escova de carvão
8	Bocal	17	Tempo de aperto	27	Orifício
9	Bigorna	18	Binário de aperto apropriado		
		19	Porca de grande elasticidade		

ESPECIFICAÇÕES

Modelo		DTW250	DTW251
Capacidades	Porca normal	M10 – M16	M10 – M16
	Porca de grande elasticidade	M10 – M14	M10 – M14
Transmissão quadrada		12,7 mm	12,7 mm
Velocidade em vazio (min ⁻¹)		0 – 2.200	0 – 2.100
Impactos por minutos		0 – 3.200	0 – 3.200
Binário de aperto máximo		230 N•m	230 N•m
Comprimento total		165 mm	165 mm
Peso líquido		1,6 kg	1,5 kg
Voltagem nominal		14,4 V CC	18 V CC

- Devido a um programa de pesquisa e desenvolvimento contínuo, estas especificações podem ser alteradas sem aviso prévio.
- As especificações e a bateria podem diferir de país para país.
- Peso, com a bateria, de acordo com o Procedimento 01/2003 da EPTA (European Power Tool Association)

ENE036-1

Utilização a que se destina

A ferramenta foi concebida para aperto de parafusos e porcas.

GEA010-1

Avisos gerais de segurança para ferramentas eléctricas

⚠ AVISO! Leia todas os avisos de segurança e todas as instruções. O não cumprimento de todos os avisos e instruções pode originar choque eléctrico, incêndio e/ou ferimentos graves.

Guarde todos os avisos e instruções para futuras referências.

GEB049-2

ADVERTÊNCIAS DE SEGURANÇA DA CHAVE DE IMPACTO A BATERIA

1. **Agarre na ferramenta eléctrica pelas partes isoladas quando executa uma operação em que o parafuso possa entrar em contacto com fios ocultos.** O contacto do parafuso com um fio "ligado" poderá carregar as partes metálicas da ferramenta e causar choque eléctrico no operador.
2. **Utilize protectores para os ouvidos.**

3. **Verifique cuidadosamente antes da instalação se a tomada está velho, tem falhas ou está estragado.**
4. **Segure na ferramenta firmemente.**
5. **Certifique-se sempre de que os seus pés estão em perfeito equilíbrio.**
Certifique-se de que ninguém está por baixo quando trabalhar em locais altos.
6. **O acerto do binário pode diferir dependendo do tamanho ou do tipo de perno. Verifique o binário com uma chave de binário.**

GUARDE ESTAS INSTRUÇÕES.**AVISO:**

NÃO permita que conforto ou familiaridade com o produto (adquirido com o uso repetido) substitua a aderência estrita às regras de segurança da ferramenta. **MÁ INTERPRETAÇÃO** ou não seguimento das regras de segurança estabelecidas neste manual de instruções pode causar danos pessoais sérios.

ENC007-7

IMPORTANTES INSTRUÇÕES DE SEGURANÇA**PARA A BATERIA**

1. **Antes de utilizar a bateria, leia todas as instruções e etiquetas de precaução no (1) carregador de bateria (2) bateria e (3) produto que utiliza a bateria.**
2. **Não abra a bateria.**

3. **Se o tempo de funcionamento se tornar excessivamente curto, pare o funcionamento imediatamente. Pode resultar em sobreaquecimento, possíveis queimaduras e mesmo explosão.**
4. **Se entrar electrólito nos seus olhos, lave-os com água e consulte imediatamente um médico. Pode resultar em perda de visão.**
5. **Não corte-circuite a bateria:**
 - (1) **Não toque nos terminais com qualquer material condutor.**
 - (2) **Evite guardar a bateria juntamente com outros objectos metálicos tais como pregos, moedas, etc.**
 - (3) **Não exponha a bateria à água ou chuva. Um curto-circuito pode ocasionar um enorme fluxo de corrente, sobreaquecimento, possíveis queimaduras e mesmo estragar-se.**
6. **Não guarde a ferramenta e a bateria em locais onde a temperatura pode atingir ou exceder 50°C.**
7. **Não queime a bateria mesmo que esteja estragada ou completamente gasta. A bateria pode explodir no fogo.**
8. **Tenha cuidado para não deixar cair ou dar pancadas na bateria.**
9. **Não utilize uma bateria danificada.**

GUARDE ESTAS INSTRUÇÕES.

Conselhos para manter a máxima vida útil da bateria

1. **Carregue a bateria antes que esteja completamente descarregada. Pare sempre o funcionamento da ferramenta e carregue a bateria quando notar menos poder na ferramenta.**
2. **Nunca carregue uma bateria completamente carregada. Carregamento excessivo diminui a vida útil da bateria.**
3. **Carregue a bateria à temperatura ambiente de 10°C – 40°C. Deixe que uma bateria quente arrefeça antes de a carregar.**
4. **Carregue a bateria uma vez a cada seis meses se não for utilizá-la por um longo período de tempo.**

DESCRIÇÃO FUNCIONAL

PRECAUÇÃO:

- Certifique-se sempre de que a ferramenta está desligada e a bateria retirada antes de regular ou verificar qualquer função na ferramenta.

Instalar ou retirar a bateria (Fig. 1)

- Desligue sempre a ferramenta antes de instalar ou retirar a bateria.
- Para retirar a bateria, deslize-a da ferramenta deslizando o botão na parte da frente da bateria.
- Para instalar a bateria, alinhe a lingueta na bateria com a ranhura na caixa e deslize-a para o seu lugar. Coloque-a sempre completamente até que faça um clique no seu lugar. Se conseguir ver o indicador vermelho no lado superior do botão, não está completamente colocada. Instale-a completamente até que não possa ver o indicador vermelho. Se assim não for, pode acidentalmente cair da ferramenta ferindo-o a si ou alguém próximo.

- Não utilize força quando instala a bateria. Se a bateria não deslizar facilmente é porque não foi colocada correctamente.

Sistema de protecção da bateria (Bateria de ion lítio com a marca de estrela) (Fig. 2)

As baterias de ion lítio com a marca de estrela são equipadas com um sistema de protecção. O sistema desliga a ferramenta automaticamente para prolongar a vida útil da bateria.

A ferramenta para automaticamente durante o funcionamento se a mesma e/ou bateria se encontrar em uma das seguintes circunstâncias.

- **Sobrecarga:**
 - A ferramenta funcionou de maneira que puxa corrente elevada demais.
 - Nesse caso, liberte o gatilho do interruptor da ferramenta para parar a operação que provocou a sobrecarga da ferramenta. A seguir, carregue no gatilho do interruptor outra vez para ligar.
 - Se a ferramenta não ligar, a bateria está superaquecida. Nesse caso, aguarde até a bateria arrefecer antes de carregar no gatilho do interruptor outra vez.
- **Baixa tensão da bateria:**
 - A carga restante da bateria está baixa demais e a ferramenta não funciona. Nesse caso, retire a bateria e recarregue-a.

Acção do interruptor (Fig. 3)

PRECAUÇÃO:

- Antes de colocar a bateria na ferramenta, certifique-se sempre de que o gatilho funciona correctamente e volta para a posição "OFF" quando desligado.

Para ligar a ferramenta, carregue simplesmente no gatilho. A velocidade da ferramenta aumenta quando aumenta a pressão no gatilho. Liberte o gatilho para parar.

Acender a lâmpada da frente (Fig. 4)

PRECAUÇÃO:

- Não olhe para a luz ou para a fonte de iluminação directamente.

Carregue no gatilho para acender a lâmpada. A lâmpada mantém-se acesa enquanto carrega no gatilho.

A luz apaga-se automaticamente 10 a 15 segundos depois de libertar o gatilho.

NOTA:

- Utilize um pano seco para limpar a sujidade das lentes da lâmpada. Tenha cuidado para não riscar as lentes da lâmpada ou pode diminuir a iluminação.

Acção do interruptor de inversão (Fig. 5)

Esta ferramenta tem um interruptor de inversão para mudar o sentido de rotação. Pressione-o no lado A para rotação à direita ou no lado B para rotação à esquerda. Se o interruptor de inversão estiver na posição neutra, o gatilho não accionará.

PRECAUÇÃO:

- Verifique sempre o sentido de rotação antes da operação.
- Só utilize o interruptor de inversão quando a ferramenta estiver completamente parada. Mudar o sentido de rotação antes da ferramenta parar poderá danificá-la.
- Quando não estiver a funcionar com a ferramenta, coloque sempre o interruptor de inversão na posição neutra.

MONTAGEM

PRECAUÇÃO:

- Certifique-se sempre de que a ferramenta está desligada e a bateria retirada antes de executar qualquer manutenção na ferramenta.

Seleção do bocal correcto

Utilize sempre o bocal correcto para os parafusos e porcas. Um tamanho incorrecto do bocal pode originar um binário de aperto incorrecto ou inconsistente e/ou estragar a porca ou o parafuso.

Para instalar ou retirar o bocal (Fig. 6 e 7)

1. Para bocal sem o anel em O e pino
Para colocar o bocal, empurre-a até ao fundo na bigorna até que faça um clique.
Para retirar o bocal, puxe-o simplesmente para fora.
2. Para bocal com anel em O e pino
Mova o anel em O para fora da ranhura na tomada e retire o pino da tomada. Assente a tomada na bigorna da ferramenta de modo o orifício na que a tomada fique alinhado com o orifício na bigorna. Insira o pino no orifício da tomada e bigorna. Em seguida volte a colocar o anel em O na posição original, na ranhura na tomada, para prender o pino. Para retirar a tomada siga inversamente os procedimentos de instalação.

Gancho (Fig. 8)

O gancho é conveniente para pendurar temporariamente a ferramenta. Pode ser instalado em qualquer dos lados da ferramenta.

Para instalar o gancho, insira-o numa ranhura no corpo da ferramenta em qualquer dos lados e prenda-o com um parafuso. Para o retirar, solte o parafuso e tire-o.

OPERAÇÃO

PRECAUÇÃO:

- Coloque sempre a bateria até ao fim até que fique presa no seu lugar. Se vir a parte vermelha na parte superior do botão, não está completamente presa. Coloque-a completamente até que não consiga ver a parte vermelha. Se assim não for, pode acidentalmente cair da ferramenta e feri-lo ou a alguém perto.

Agarre na ferramenta firmemente e coloque o bocal sobre a porca ou o parafuso. Ligue a ferramenta e aperte durante o tempo de aperto adequado. (Fig. 9)

O binário de aperto adequado pode variar dependendo do tipo e tamanho do parafuso, do material da peça a ser apertada, etc. A relação entre o binário de aperto e o tempo de aperto é indicado no Fig. 10 e Fig. 11.

NOTA:

- Agarre na ferramenta apontando-a direita para o parafuso ou a porca.
- Binário de aperto excessivo pode estragar o parafuso/porca ou o bocal. Antes de começar o seu trabalho, execute sempre uma operação de teste para determinar o tempo de aperto apropriado para o seu parafuso ou porca.
- Se funcionar continuamente com a ferramenta até que a bateria fique descarregada, deixe a ferramenta descansar 15 minutos antes de continuar com uma bateria carregada.

O binário de aperto é afectado por uma ampla variedade de factores incluindo os seguintes. Depois do aperto verifique sempre o binário com uma chave de binário.

1. Quando a bateria está quase completamente descarregada, a voltagem diminuirá e o binário de aperto será reduzido.
2. Bocal
 - A utilização de um tamanho de bocal incorrecto causará uma redução no binário de aperto.
 - Um bocal gasto (na extremidade hexagonal ou quadrada) causará uma redução do binário de aperto.
3. Parafuso
 - Mesmo que o coeficiente do binário de aperto e a classe do parafuso seja a mesma, o binário de aperto adequado será diferente de acordo com o diâmetro do parafuso.
 - Mesmo que os diâmetros dos parafusos sejam os mesmos, o binário de aperto adequado será diferente de acordo com coeficiente do binário, a classe e o comprimento do parafuso.
4. A utilização de uma ligação universal ou de uma barra de extensão reduz a força de aperto da chave de impacto. Compense apertando durante um período mais prolongado.
5. A maneira de pegar na ferramenta ou o material a ser apertado afectarão o torque.
6. A operação da ferramenta a baixa velocidade causará redução no binário de aperto.

MANUTENÇÃO

PRECAUÇÃO:

- Certifique-se sempre de que a ferramenta se encontra desligada e de que a bateria foi retirada antes de executar qualquer inspeção ou manutenção.
- Nunca utilize gasolina, benzina, diluente, álcool ou produtos semelhantes. Pode ocorrer a descoloração, deformação ou rachaduras.

Substituição das escovas de carvão

Substitua-as quando estiverem gastas até à marca limite. Mantenha as escovas de carvão limpas e a deslizarem livremente nos suportes. As duas escovas de carvão devem ser substituídas ao mesmo tempo. Utilize só escovas de carvão idênticas. (Fig. 12)

Utilize uma chave de parafusos para retirar os dois parafusos e em seguida retire a cobertura traseira. (Fig. 13) Levante o braço do suporte da mola e em seguida coloque-o na parte retraída do corpo com uma broca de aparafusar com calha de bloqueio curto ou semelhante. (Fig. 14)

Utilize pinças para retirar as tampas das escovas de carvão. Retire as escovas de carvão usadas, coloque as novas e substitua inversamente as tampas das escovas de carvão. (Fig. 15 e 16)

Certifique-se de que as tampas das escovas de carvão encaixam seguramente nos orifícios nos suportes das escovas.

Volte a instalar a cobertura traseira e aperte firmemente os dois parafusos.

Para manter a SEGURANÇA e FIABILIDADE, as reparações e outras ações de manutenção ou ajustes devem ser executados pelos Centros de assistência autorizados da Makita, utilizando sempre peças de substituição Makita.

ACESSÓRIOS OPCIONAIS

ENG901-1

PRECAUÇÃO:

- Estes acessórios ou extensões são recomendados para utilização com a sua ferramenta Makita especificada neste manual. A utilização de quaisquer outros acessórios ou extensões pode representar um risco de lesões para pessoas. Utilize apenas um acessório ou extensão para o fim a que se destina.

Se necessitar de informações adicionais relativas a estes acessórios, solicite-as ao seu centro de assistência Makita.

- Bocais
- Barra de extensão
- Ligação universal
- Adaptador da broca
- Vários tipos de baterias Makita e carregadores

NOTA:

- Alguns itens da lista podem estar incluídos na embalagem da ferramenta como acessórios padrão. Eles podem variar de país para país.

Ruído

ENG905-1

A característica do nível de ruído A determinado de acordo com EN60745:

Modelo DTW250

Nível de pressão de som (L_{pA}): 90 dB (A)

Nível do som (L_{WA}): 101 dB (A)

Variabilidade (K): 3 dB (A)

Modelo DTW251

Nível de pressão de som (L_{pA}): 94 dB (A)

Nível do som (L_{WA}): 105 dB (A)

Variabilidade (K): 3 dB (A)

Utilize protectores para os ouvidos

Vibração

ENG900-1

O valor total da vibração (soma vectorial tri-axial) determinado de acordo com EN60745:

Modelo DTW250

Modo de funcionamento: aperto com impacto de

parafusos de capacidade máxima da ferramenta

Emissão de vibração (a_h): 14,5 m/s²

Variabilidade (K): 1,5 m/s²

Modelo DTW251

Modo de funcionamento: aperto com impacto de parafusos de capacidade máxima da ferramenta

Emissão de vibração (a_h): 11,0 m/s²

Variabilidade (K): 1,5 m/s²

- O valor da emissão de vibração indicado foi medido de acordo com o método de teste padrão e pode ser utilizado para comparar duas ferramentas.
- O valor da emissão de vibração indicado pode também ser utilizado na avaliação preliminar da exposição.

AVISO:

- A emissão de vibração durante a utilização real da ferramenta eléctrica pode diferir do valor de emissão indicado, dependendo das formas como a ferramenta é utilizada.
- Certifique-se de identificar as medidas de segurança para protecção do operador que sejam baseadas em uma estimativa de exposição em condições reais de utilização (considerando todas as partes do ciclo de operação, tal como quando a ferramenta está desligada e quando está a funcionar em marcha lenta além do tempo de accionamento).

ENH101-17

Só para países Europeus

Declaração de conformidade CE

A Makita declara que a(s) seguinte(s) máquina(s):

Designação da ferramenta:

Chave de impacto a bateria

Modelos n.º/Tipo: DTW250, DTW251

Em conformidade com as seguintes directivas europeias:

2006/42/CE

São fabricadas de acordo com as seguintes normas ou documentos normalizados:

EN60745

O ficheiro técnico de acordo com a 2006/42/CE está disponível em:

Makita, Jan-Baptist Vinkstraat 2, 3070, Bélgica

31.12.2013



Yasushi Fukaya

Director

Makita, Jan-Baptist Vinkstraat 2, 3070, Bélgica

Illustrationsoversigt

1 Rød indikator	10 O-ring	19 Kvalitetsstålbolt
2 Knap	11 Stift	20 Slidmarkering
3 Akku	12 Krog	21 Bagdæksel
4 Stjernemærke	13 Skrue	22 Skruer
5 Afbryderknap	14 Rille	23 Fjeder
6 Lampe	15 Standardbolt	24 Arm
7 Omløbsvælger	16 Spændemoment	25 Indsunken del
8 Top	17 Fastspændingstid	26 Kulbørstehætte
9 Ambolt	18 Korrekt spændemoment	27 Hul

SPECIFIKATIONER

Model		DTW250	DTW251
Kapacitet	Standard bolt	M10 – M16	M10 – M16
	Kvalitetsstålbolt	M10 – M14	M10 – M14
Firkantdrev		12,7 mm	12,7 mm
Omdrejninger (min ⁻¹)		0 – 2 200	0 – 2 100
Slag per minut		0 – 3 200	0 – 3 200
Maks. spændemoment		230 N•m	230 N•m
Længde		165 mm	165 mm
Vægt		1,6 kg	1,5 kg
Spænding		DC 14,4 V	DC 18 V

- På grund af vores kontinuerlige forskningsprogrammer og udvikling, kan hosstående specifikationer blive ændret uden varsel.
- Specifikationer og akku kan variere fra land til land.
- Vægt inklusive akku, i henhold til EPTA-Procedure 01/2003

ENE036-1

Tilsigtet anvendelse

Denne maskine er beregnet til fastgørelse af bolte og møtrikker.

GEA010-1

Almindelige sikkerhedsregler for el-værktøj

⚠ ADVARSEL! Læs alle sikkerhedsadvarsler og alle sikkerhedsinstruktioner. Hvis nedenstående advarsler og instruktioner ikke overholdes, kan resultatet blive elektrisk stød, brand og/eller alvorlig personskade.

Gem alle advarsler og instruktioner til fremtidig reference.

GEB049-2

SIKKERHEDSADVARSLER FOR ELEKTRONISK AKKU SLAGNØGLE

1. Hold kun maskinen i de isolerede grebflader, når De udfører arbejde, hvor fastgøringsanordningen kan komme i kontakt med skjulte ledninger. Fastgørelsesanordninger, som kommer i kontakt med en strømførende ledning kan gøre uafdækkede metaldele på maskinen strømførende og give operatøren stød.
2. Benyt høreværn.
3. Kontrollér omhyggeligt toppen for slitage, revner eller beskadigelse før montering.
4. Hold godt fast på maskinen.

5. Sørg for, at De altid har sikkert fodfæste. Ved brug af maskinen i større højde bør De sikre Dem, at der ikke opholder sig personer under arbejdsområdet.
6. Det korrekte spændemoment kan svinge afhængigt af boltens type eller størrelse. Kontrollér spændemomentet med en momentnøgle.

GEM DISSE FORSKRIFTER.

ADVARSEL:

LAD IKKE bekvemmelighed eller kendskab til produktet (opnået gennem gentagen brug) forhindre, at sikkerhedsforskrifterne for produktet nøje overholdes. MISBRUG eller forsømmelse af at følge de i denne brugsvejledning givne sikkerhedsforskrifter kan føre til, at De kommer alvorligt til skade.

ENC007-7

VIGTIGE SIKKERHEDSFORSKRIFTER

FOR AKKU

1. Læs alle instruktioner og advarselmærkater på (1) akku opladeren, (2) akku og (3) produktet, som anvender akku.
2. Lad være med at skille akkuen ad.
3. Hold straks op med at anvende opladeren, hvis brugstiden er blevet stærkt afkortet. Fortsat anvendelse kan resultere i risiko for overophedning, forbrændinger og endog eksplosion.
4. Hvis du har fået elektrolytvæske i øjnene, skal du straks skylle den ud med rent vand og derefter øjeblikkeligt søge lægehjælp. I modsat fald kan resultatet blive, at du mister synet.

5. Vær påpasselig med ikke at komme til at kortslutte akkuen:
 - (1) Rør ikke ved terminalerne med noget ledende materiale.
 - (2) Undgå at opbevare akkuen i en beholder sammen med andre genstande af metal, som for eksempel søm, mønter og lignende.
 - (3) Udsæt ikke akkuen for vand eller regn. Kortslutning af akkuen kan være årsag til en kraftig øgning af strømmen, overophedning, mulige forbrændinger og endog maskinstop.
6. Opbevar ikke værktøj og akkuen på et sted, hvor temperaturen kan nå eller overstige 50°C.
7. Lad være med at brænde akkuen, selv ikke i tilfælde, hvor det har lidt alvorlig skade eller er fuldstændig udtjent. Akkuen kan eksplodere, hvis man forsøger at brænde den.
8. Lad være med at brænde akkuen eller udsætte det for stød.
9. Anvend ikke en beskadiget akku.

GEM DENNE BRUGSANVISNING.

Tips til opnåelse af maksimal akku-levetid

1. Oplad altid akkuen, inden den er helt afladet. Stop altid værktøj og oplad akkuen, hvis det bemærkes, at maskineffekten er dalende.
2. Genoplad aldrig en fuldt opladet akku. Overopladning vil afkorte akkuens levetid.
3. Oplad akkuen ved stuetemperatur ved 10°C – 40°C. Lad altid en varm akku få tid til at køle af, inden den oplades.
4. Oplad akkuen en gang hver sjette måned, hvis den ikke anvendes i et længere tidsrum.

FUNKTIONSBESKRIVELSE

FORSIGTIG:

- Sørg altid for at maskinen er slukket, og at akkuen er taget ud, før der udføres justering eller kontrol af funktioner på maskinen.

Isætning og udtagning af akku (Fig. 1)

- Sluk altid for maskinen, før akkuen installeres eller tages ud.
- Akkuen fjernes ved at man skyder den ud af maskinen, mens man skyder knappen foran på akkuen i stilling.
- Installer akkuen ved at rette dens tunge ind efter rillen i huset. Skyd derefter akkuen helt ind, til den låser på plads med et lille klik. Hvis den røde indikator kan ses på den øverste side af knappen, er den ikke helt låst. Monter den således, at den røde indikator ikke kan ses. Hvis akkuen ikke sættes i på denne måde, kan den ved et uheld falde ud af maskinen, og eventuelt forvolde personskade på Dem selv eller andre.
- Brug aldrig magt, når akkuen installeres. Hvis ikke akkuen glider i uden besvær, er det fordi, at den vender forkert.

Akku-beskyttelsessystem (lithium-ion akku med et stjernemærke) (Fig. 2)

Lithium-ion akkuer med et stjernemærke er udstyret med et beskyttelsessystem. Dette system afbryder automatisk strømmen til maskinen, så akkuens levetid bliver længere.

Maskinen stopper automatisk under driften, hvis den og/eller akkuen kommer i en af følgende situationer:

- Overbelastet:
 - Maskinen anvendes på en måde, der bevirker, at den forbruger abnormt høj strøm.
 - Slip i denne situation afbryderknappen på maskinen og stop den anvendelse, der bevirkede, at maskinen blev overbelastet. Tryk derefter afbryderknappen ind igen for at starte igen.
 - Hvis maskinen ikke starter, er akkuen overophedet. Lad i dette tilfælde akkuen køle af, inden afbryderknappen trykkes ind igen.
- Lav akku-spænding:
 - Den tilbageværende akku-kapacitet er for lav, og maskinen vil ikke fungere. Fjern i denne situation akkuen fra maskinen og oplad den.

Afbryderknappbetjening (Fig. 3)

FORSIGTIG:

- For akkuen sættes i maskinen, bør De altid kontrollere, at afbryderknappen fungerer korrekt og returnerer til "OFF" positionen, når den slippes.

For at starte maskinen trykkes der blot på afbryderen. Maskinens hastighed øges ved at øge trykket på afbryderen. Slip afbryderen for at stoppe.

Tænd af forlamperne (Fig. 4)

FORSIGTIG:

- Kig aldrig direkte på lyskilden. Lad ikke lyset falde i Deres øjne.

Tryk afbryderknappen ind for at tænde lampen. Lampen bliver ved med at lyse, så længe afbryderknappen holdes inde.

Lyset slukker automatisk 10 – 15 sekunder efter at afbryderknappen slippes.

BEMÆRK:

- Anvend en tør klud til at tørre snavs af lampens linse.
- Undgå at ridse lampens linse, da det kan nedsætte lysstyrken.

Omløbsvælger (Fig. 5)

Denne maskine har en omløbsvælger, der kan ændre omløbsretningen. Skub omløbsvælgeren ind fra side A for omdrejning med uret, eller fra side B for omdrejning mod uret.

Når omløbsvælgeren er i neutral position, kan afbryderknappen ikke trykkes ind.

FORSIGTIG:

- Kontrollér altid omløbsretningen før arbejdet påbegyndes.
- Brug kun omløbsvælgeren når maskinen er helt stoppet. Hvis omløbsretningen ændres inden maskinen er helt stoppet, kan det beskadige maskinen.
- Når maskinen ikke anvendes, skal omløbsvælgeren altid være sat i neutral position.

SAMLING

FORSIGTIG:

- Sørg altid for, at maskinen er slukket og akkuen er taget af, for der udføres noget arbejde på maskinen.

Valg af korrekt top

Anvend altid den korrekte størrelse i top til bolte og møtrikker. En top med forkert størrelse vil give upræcist og ujævnt spændemoment og/eller beskadige bolten eller møtrikken.

Montering eller afmontering af top (Fig. 6 og 7)

1. For toppe uden O-ring og stift
Toppen monteres ved at den trykkes ind over ambolten på maskinen, indtil toppen låser på plads. Toppen fjernes ved at den ganske enkelt trækkes af.
2. For toppe med O-ring og stift
Tag O-ringen ud fra rillen i toppen og fjern stiften fra toppen. Sæt toppen på maskinens ambolt, således at hullet i toppen passer med hullet i ambolten. Før stiften ind gennem hullet i toppen og ambolten. Anbring derefter O-ringen på dens oprindelige plads i rillen på toppen for at holde stiften på plads. Toppen afmonteres ved at følge monteringsfremgangsmåden i omvendt orden.

Krog (Fig. 8)

Krogen er praktisk, hvis man vil hænge maskinen op midlertidigt. Den kan monteres på begge sider af maskinen.

Krogen monteres ved at man sætter den ind i rillen på maskinkroppen på hver side og derefter fastgør den med en skrue. Krogen fjernes ved at man løsner skruen og tager den ud.

ANVENDELSE

FORSIGTIG:

- Sæt altid akkuen helt ind, så den låses på plads. Hvis De kan se den røde del på oversiden af knappen, betyder det, at den ikke er helt fastlåst. Sæt den helt ind, så den røde del ikke kan ses. Hvis den ikke sættes helt ind, kan den ved et uheld falde ud af maskinen med risiko for, at omkringstående eller De selv kan komme til skade.

Hold godt fast på maskinen og anbring toppen over bolten eller møtrikken. Tænd for maskinen og tilspænd i den korrekte fastgøringstid. (Fig. 9)

Det korrekte spændemoment kan svinge, afhængigt af typen eller størrelsen af bolten, materialet af det arbejdsstykke, der skal fastgøres etc. Forholdet mellem spændemoment og fastgøringstid er vist i Fig. 10 og Fig. 11.

BEMÆRK:

- Hold maskinens viser direkte i retningen mod bolten eller møtrikken.
- Et for stort spændemoment kan beskadige bolten/møtrikken eller toppen. Inden de begynder på et job, skal De altid udføre en testoperation for at bestemme den rigtige spændetid for bolten eller møtrikken.
- Hvis maskinen anvendes uafbrudt, indtil akkuen er afladet, skal maskinen have lov at hvile i 15 minutter, før der fortsættes med en frisk akku.

Spændemomentet påvirkes af en række faktorer, inklusive de følgende. Efter fastgøring skal momentet altid kontrolleres med en momentnøgle.

1. Når akkuen er næsten helt afladet, falder spændingen, og spændemomentet reduceres.
2. Top
 - Anvendelse af en forkert størrelse top vil reducere spændemomentet.
 - En slidt top (slitage på sekskantenden eller den firkantede ende) vil reducere spændemomentet.
3. Bolt
 - Selv om spændemomentkoefficienten og boltklassen er den samme, vil det korrekte spændemoment afhænge af diameteren på bolten.
 - Selv om diameteren på bolte er den samme, vil det korrekte spændemoment afhænge af spændemomentkoefficienten, boltklassen og boltens længde.
4. Anvendelse af kardanledet eller forlængerstangen reducerer i nogen grad fastgøringskraften på anlagsnøglen. Kompenser for dette ved at fastgøre i længere tid.
5. Den måde, hvorpå man holder maskinen eller typen af materialet, der skal fastgøres, påvirker spændemomentet.
6. Hvis maskinen anvendes med lav hastighed, vil spændemomentet blive mindre.

VEDLIGEHOLDELSE

FORSIGTIG:

- Sørg altid for at maskinen er slukket, og at akkuen er taget ud før der gennemføres noget arbejde på selve maskinen.
- Anvend aldrig benzin, rensebenzin, fortynder, alkohol og lignende. Resultatet kan blive misfarvning, deformation eller revner.

Udskiftning af kul

Udskift kullene, når de er slidt ned til slidmarkeringen. Hold kullene rene og i stand til frit at glide ind i holderne. Begge kul skal udskiftes parvist samtidigt. Anvend kun identiske kulbørster. (Fig. 12)

Fjern de to skruer ved hjælp af en skruetrækker, og fjern derefter bagdækslet. (Fig. 13)

Løft armdelen af fjederen, og anbring den derefter på den indsunke del af maskinen med en kærnskruetrækker med tyndt skaft eller lignende. (Fig. 14)

Anvend en tang til at fjerne kulbørsternes hætter. Tag de slidte kulbørster ud, sæt de nye ind, og sæt hætterne tilbage på plads i den modsatte rækkefølge. (Fig. 15 og 16)

Sørg for, at kulbørstehætterne går ind i børsteholderene på korrekt vis.

Sæt bagdækslet på plads igen, og stram de to skruer godt til.

For at opretholde produktets SIKKERHED og PÅLIDELIGHED bør reparation, vedligeholdelse og justering kun udføres af et Makita servicecenter med anvendelse af original Makita udskiftningsdele.

EKSTRAUDSTYR

FORSIGTIG:

- Dette udstyr og tilbehør bør anvendes sammen med Deres Makita maskine, sådan som det er beskrevet i denne brugsanvisning. Anvendelse af andet udstyr eller tilbehør kan udgøre en risiko for personskade. Tilbehøret bør kun anvendes til det, det er beregnet til.

Hvis De behøver hjælp ved valg af tilbehør eller ønsker yderligere informationer, bedes De kontakte Deres lokale Makita service center.

- Topper
- Forlængerstangen
- Knækled
- Bit-adapter
- Forskellige typer af originale Makita-akkuer og opladere

BEMÆRK:

- Nogle ting på denne liste kan være inkluderet i værktøjspakken som standardtilbehør. Det kan være forskellige fra land til land.

ENG905-1

Lyd

Det typiske A-vægtede støjniveau bestemt i overensstemmelse med EN60745:

Model DTW250

Lydtryksniveau (L_{pA}): 90 dB (A)
 Lydeffektniveau (L_{WA}): 101 dB (A)
 Usikkerhed (K): 3 dB (A)

Model DTW251

Lydtryksniveau (L_{pA}): 94 dB (A)
 Lydeffektniveau (L_{WA}): 105 dB (A)
 Usikkerhed (K): 3 dB (A)

Bær høreværn

ENG900-1

Vibration

Vibrations totalværdi (tre-aksial vektorsum) bestemt i overensstemmelse med EN60745:

Model DTW250

Arbejdsindstilling: Slag-stramning af fastgøringsanordninger af maskinens maks. kapacitet
 Vibrationsafgivelse (a_h): 14,5 m/s²
 Usikkerhed (K): 1,5 m/s²

Model DTW251

Arbejdsindstilling: Slag-stramning af fastgøringsanordninger af maskinens maks. kapacitet
 Vibrationsafgivelse (a_h): 11,0 m/s²
 Usikkerhed (K): 1,5 m/s²

- Den angivne vibrationsemissionsværdi er blevet målt i overensstemmelse med standardtestmetoden og kan anvendes til at sammenligne en maskine med en anden.
- Den angivne vibrationsemissionsværdi kan også anvendes i en preliminær eksponeringsvurdering.

ADVARSEL:

- Vibrationsemissionen under den faktiske anvendelse af maskinen kan være forskellig fra den erklærede emissionsværdi, afhængigt af den måde, hvorpå maskinen anvendes.
- Sørg for at identificere de sikkerhedsforskrifter til beskyttelse af operatøren, som er baseret på en vurdering af eksponering under de faktiske brugsforhold (med hensyntagen til alle dele i brugscyklen, som f.eks. de gange, hvor maskinen er slukket og når den kører i tomgang i tilgift til afbrydertiden).

ENH101-17

Kun for lande i Europa

EU-konformitetserklæring

Makita erklærer, at den følgende maskine (maskiner):

Maskinens betegnelse:

Elektronisk akku slagnøgle

Model nr./ Type: DTW250, DTW251

Er i overensstemmelse med de europæiske direktiver:

2006/42/EU

De er fremstillet i overensstemmelse med den følgende standard eller standardiserede dokumenter:

EN60745

Den tekniske fil, som er i overensstemmelse med 2006/42/EU, er tilgængelig fra:

Makita, Jan-Baptist Vinkstraat 2, 3070, Belgium

31.12.2013



Yasushi Fukaya

Direktør

Makita, Jan-Baptist Vinkstraat 2, 3070, Belgium

Περιγραφή γενικής άποψης

1 Κόκκινη ένδειξη	11 Πείρος	20 Οριακό σημάδι
2 Πλήκτρο	12 Γάντζος	21 Πίσω κάλυμμα
3 Κασέτα μπαταρίας	13 Βίδα	22 Βίδες
4 Ένδειξη αστεριού	14 Εγκοπή	23 Ελατήριο
5 Σκανδάλη διακόπτης	15 Κανονικό μπουλόνι	24 Βραχίονας
6 Λαμπάκι	16 Ροπή στερέωσης	25 Κόιλο τμήμα
7 Διακόπτης αντιστροφής	17 Χρόνος στερέωσης	26 Καπάκι ψήκτρας άνθρακα
8 Υποδοχή	18 Σωστή ροπή στερέωσης	27 Τρύπα
9 Μεγάλος πείρος	19 Μπουλόνι υψηλής εκτατικότητας	
10 Δακτυλίδι-Ο		

ΤΕΧΝΙΚΑ ΧΑΡΑΚΤΗΡΙΣΤΙΚΑ

Μοντέλο		DTW250	DTW251
Ικανότητες	Κανονικό μπουλόνι	M10 – M16	M10 – M16
	Μπουλόνι υψηλής εκτατικότητας	M10 – M14	M10 – M14
Τετραγωνικός οδηγός		12,7 χιλ.	12,7 χιλ.
Ταχύτητα χωρίς φορτίο (λεπ ⁻¹)		0 – 2.200	0 – 2.100
Κτύποι ανά λεπτό		0 – 3.200	0 – 3.200
Μεγ. ροπή στερέωσης		230 N•m	230 N•m
Συνολικό μήκος		165 χιλ.	165 χιλ.
Βάρος καθαρό		1,6 Χγρ	1,5 Χγρ
Καθορισμένο βολτάζ		D.C. 14,4 V	D.C. 18 V

- Λόγω του συνεχιζόμενου προγράμματος έρευνας και ανάπτυξης, οι παρούσες προδιαγραφές υπόκεινται σε αλλαγή χωρίς προειδοποίηση.
- Τα τεχνικά χαρακτηριστικά και η κασέτα μπαταρίας μπορεί να διαφέρουν από χώρα σε χώρα.
- Βάρος, με κασέτα μπαταρίας, σύμφωνα με τη διαδικασία ΕΡΤΑ 01/2003

GEB049-2

Προοριζόμενη χρήση

Το εργαλείο προορίζεται για στερέωμα μπουλονιών και παξιμαδιών.

ENE036-1

Γενικές προειδοποιήσεις ασφαλείας για το ηλεκτρικό εργαλείο

⚠ ΠΡΟΕΙΔΟΠΟΙΗΣΗ Διαβάστε όλες τις προειδοποιήσεις ασφαλείας και όλες τις οδηγίες. Η μη τήρηση των προειδοποιήσεων και οδηγιών ενδέχεται να καταλήξει σε ηλεκτροπληξία, πυρκαγιά ή/και σοβαρό τραυματισμό.

GEA010-1

Φυλάξτε όλες τις προειδοποιήσεις και τις οδηγίες για μελλοντική παραπομπή.

ΑΣΥΡΜΑΤΟ ΚΡΟΣΤΙΚΟ ΚΛΕΙΔΙ — ΠΡΟΕΙΔΟΠΟΙΗΣΕΙΣ ΑΣΦΑΛΕΙΑΣ

1. **Να κρατάτε το ηλεκτρικό εργαλείο από τις λαβές με μόνωση όταν εκτελείτε εργασίες κατά τις οποίες ο σύνδεσμος μπορεί να έρθει σε επαφή με κρυμμένα καλώδια.** Αν ο σύνδεσμος έρθει σε επαφή με κάποιο ηλεκτροφόρο καλώδιο, μπορεί τα εκτεθειμένα μεταλλικά μέρη του ηλεκτρικού εργαλείου να γίνουν κι αυτά ηλεκτροφόρα και να προκληθεί ηλεκτροπληξία στο χειριστή.
2. **Φοράτε ωτασπίδες.**
3. **Ελέγχετε την υποδοχή προσεκτικά για φθορά, ρωγμές ή ζημιές προ της εγκατάστασης.**
4. **Κρατάτε το μηχάνημα σταθερά.**
5. **Βεβαιώστε ότι έχετε πάντοτε σταθερή βάση στήριξης ποδιών.**
Βεβαιώστε ότι δεν είναι κανείς από κάτω όταν χρησιμοποιείτε το μηχάνημα σε υψηλά μέρη.
6. **Η κατάλληλη ροπή στερέωσης μπορεί να διαφέρει εξαρτωμένη από το είδος ή μέγεθος του μπουλονιού. Ελέγξτε τη ροπή με ένα κλειδί ροπής.**

ΦΥΛΑΞΤΕ ΑΥΤΕΣ ΤΙΣ ΟΔΗΓΙΕΣ.

ΠΡΟΕΙΔΟΠΟΙΗΣΗ:

ΜΗΝ επιτρέψετε το βαθμό άνεσης ή εξοικείωσης με το προϊόν (λόγω επανειλημμένης χρήσης) να αντικαταστήσει την αυστηρή τήρηση των κανόνων ασφαλείας του παρόντος εργαλείου. ΚΑΚΗ ΧΡΗΣΗ ή αμέλεια να ακολουθήσετε τους κανόνες ασφάλειας που διατυπώνονται σ' αυτό το εγχειρίδιο οδηγιών μπορεί να προκαλέσει σοβαρό προσωπικό τραυματισμό.

ENC007-7

ΣΗΜΑΝΤΙΚΕΣ ΟΔΗΓΙΕΣ ΑΣΦΑΛΕΙΑΣ

ΓΙΑ ΚΑΣΕΤΑ ΜΠΑΤΑΡΙΑΣ

1. Πριν χρησιμοποιήσετε την κασέτα μπαταρίας, διαβάστε όλες τις οδηγίες και σημειώσεις προφύλαξης (1) στον φορτιστή μπαταρίας, (2) στην μπαταρία και (3) στο προϊόν που χρησιμοποιεί την μπαταρία.
2. Μην αποσυναρμολογήσετε την κασέτα μπαταρίας.
3. Εάν ο χρόνος λειτουργίας έχει γίνει υπερβολικά βραχύς, σταματήστε την λειτουργία αμέσως. Αλλιώς, μπορεί να έχει ως αποτέλεσμα κίνδυνο υπερθέρμανσης, πιθανά εγκαύματα ή ακόμη και έκρηξη.
4. Εάν ηλεκτρολύτης μπει στα μάτια σας, ξεπλύνετε τα με καθαρό νερό και ζητήστε ιατρική φροντίδα αμέσως. Αλλιώς, μπορεί να έχει ως αποτέλεσμα απώλεια της όρασης σας.
5. Μην βραχυκυκλώνετε την κασέτα μπαταρίας:
 - (1) Μην αγγίζετε τους πόλους με οτιδήποτε αγώγιμο υλικό.
 - (2) Αποφεύγετε να αποθηκεύετε την κασέτα μπαταρίας μέσα σε ένα δοχείο μαζί με άλλα μεταλλικά αντικείμενα όπως καρφιά, νομίσματα, κλπ.
 - (3) Μην εκθέτε την κασέτα μπαταρίας στο νερό ή στη βροχή.
Ενα βραχυκύκλωμα μπαταρίας μπορεί να προκαλέσει μεγάλη ροή ρεύματος, υπερθέρμανση, πιθανά εγκαύματα ακόμη και σοβαρή βλάβη.
6. Μην αποθηκεύετε το εργαλείο και την κασέτα μπαταρίας σε τοποθεσίες όπου η θερμοκρασία μπορεί να φτάσει ή να ξεπεράσει τους 50°C.
7. Μη καίτε την κασέτα μπαταρίας ακόμη και εάν έχει σοβαρή ζημιά ή είναι εντελώς φθαρμένη. Η κασέτα μπαταρίας μπορεί να εκραγεί στην φωτιά.
8. Προσέχετε να μη ρίξετε κάτω ή χτυπήσετε την μπαταρία.
9. Μην χρησιμοποιείτε μπαταρία που έχει υποστεί ζημιά.

ΦΥΛΑΞΤΕ ΤΙΣ ΟΔΗΓΙΕΣ ΑΥΤΕΣ.

Συμβουλές για διατήρηση μέγιστης ζωής μπαταρίας

1. Φορτίστε την κασέτα μπαταρίας πριν από την πλήρη αποφόρτιση της. Πάντοτε σταματάτε την λειτουργία του εργαλείου και φορτίζετε την κασέτα μπαταρίας όταν παρατηρείτε μειωμένη ισχύ εργαλείου.
2. Ποτέ μην επαναφορτίζετε μία πλήρως φορτισμένη κασέτα μπαταρίας. Υπερφόρτιση μειώνει την ωφέλιμη ζωή της μπαταρίας.

3. Φορτίζετε την κασέτα μπαταρίας σε θερμοκρασία δωματίου 10°C – 40°C. Αφήστε μία θερμή κασέτα μπαταρίας να κρυώσει πριν την φορτίσετε.
4. Φορτίστε την κασέτα μπαταρίας μία φορά κάθε έξι μήνες εάν δεν τη χρησιμοποιείτε για μεγάλη χρονική περίοδο.

ΠΕΡΙΓΡΑΦΗ ΛΕΙΤΟΥΡΓΙΑΣ

ΠΡΟΣΟΧΗ:

- Πάντοτε βεβαιώνετε ότι το εργαλείο είναι σβηστό και η κασέτα μπαταρίας έχει αφαιρεθεί πριν ρυθμίσετε ή ελέγξετε την λειτουργία στο εργαλείο.

Τοποθέτηση ή αφαίρεση της κασέτας μπαταρίας (Εικ. 1)

- Πάντοτε σβήνετε το εργαλείο πριν εγκαταστήσετε ή βγάλετε την κασέτα μπαταρίας.
- Για να αφαιρέσετε την κασέτα μπαταρίας, βγάλτε την από το εργαλείο ενώ σύρετε το κουμπί στο εμπρόσθιο μέρος της κασέτας.
- Για να εγκαταστήσετε την κασέτα μπαταρίας, ευθυγραμμίστε την γλίσσα στην κασέτα μπαταρίας με την αυλακία στην υποδοχή και τοποθετήστε την. Πάντοτε να την βάζετε πλήρως στην να κλειδώσει, γεγονός που υποδηλώνεται με ένα χαρακτηριστικό ήχο. Εάν μπορείτε να δείτε την κόκκινη ένδειξη στην επάνω πλευρά του κουμπιού, δεν έχει κλειδώσει τελείως. Τοποθετήστε την πλήρως μέχρι να μην μπορείτε να δείτε την κόκκινη ένδειξη. Σε αντίθετη περίπτωση, ίσως πέσει κατά λάθος από το μηχανήμα, τραυματίζοντας εσάς ή κάποιον τρίτωρο σας.
- Μη χρησιμοποιείτε δύναμη όταν εγκαταστήσετε την κασέτα μπαταρίας. Εάν η κασέτα δεν γλιστράει μέσα εύκολα, δεν εισάγεται με τον σωστό τρόπο.

Σύστημα προστασίας μπαταρίας (μπαταρία ιόντων λιθίου με ένδειξη αστεριού) (Εικ. 2)

Οι μπαταρίες ιόντων λιθίου με ένδειξη αστεριού είναι εξοπλισμένες με σύστημα προστασίας. Αυτό το σύστημα αποκόπτει αυτόματα την ισχύ προς το εργαλείο για την παράταση της ζωής της μπαταρίας. Το εργαλείο σταματάει αυτόματα κατά τη διάρκεια της λειτουργίας εάν το εργαλείο ή/και η μπαταρία βρεθούν κάτω από τις παρακάτω συνθήκες:

- Υπερφόρτωση:

Το εργαλείο λειτουργεί με τρόπο ώστε να αναγκάζεται να καταναλώνει ασυνήθιστα υψηλό ρεύμα.

Σε αυτή την κατάσταση, αφήστε το διακόπτη σκανδάλης και διακόψτε την εφαρμογή που προκαλεί την υπερφόρτωση του εργαλείου. Μετά, τραβήξτε ξανά το διακόπτη σκανδάλης για επανεκκίνηση.

Εάν το εργαλείο δεν ξεκινάει, η μπαταρία έχει υπερθερμανθεί. Σε αυτή την κατάσταση, αφήστε την μπαταρία να ψυχθεί πριν τραβήξετε ξανά το διακόπτη σκανδάλης.

- Χαμηλή τάση μπαταρίας:

Η υπόλοιπη χωρητικότητα μπαταρίας είναι πολύ χαμηλή και το εργαλείο δεν λειτουργεί. Σε αυτή την κατάσταση, αφαιρέστε και επαναφορτίστε την μπαταρία.

Λειτουργία διακόπτη (Εικ. 3)

ΠΡΟΣΟΧΗ:

- Πριν βάλετε στο τη κασέτα μπαταρίας στο μηχανήμα, πάντοτε ελέγχετε να δείτε ότι η σκανδάλη διακόπτης ενεργοποιεί κανονικά και επιστρέφει στη θέση "OFF" όταν ελευθερώνεται.

Για να ξεκινήσει το μηχανήμα απλώς πατήστε τη σκανδάλη. Η ταχύτητα του μηχανήματος αυξάνεται με αύξηση της πίεσης στη σκανδάλη. Για να σταματήσει αφήστε τη σκανδάλη.

Για να ανάψετε το εμπρόσθιο λαμπάκι (Εικ. 4)

ΠΡΟΣΟΧΗ:

- Μη κυττάζετε το φως ή βλέπετε την πηγή φωτός απευθείας.

Τραβήχτε την σκανδάλη διακόπτη για να ανάψετε το λαμπάκι. Το λαμπάκι συνεχίζει να είναι αναμμένο όσο η σκανδάλη διακόπτης είναι τραβηγμένη. Το φως σβήνει αυτόματα 10 – 15 δευτερόλεπτα αφού ελευθερωθεί η σκανδάλη διακόπτης.

ΠΑΡΑΤΗΡΗΣΗ:

- Χρησιμοποιείτε ένα στεγνό ύφασμα για να σφουγγίζετε τους ρύπους από τους φακούς του λαμπακιού. Προσέχετε να μη γρατσουνίσετε τους φακούς του, διαφορετικά θα μειωθεί ο φωτισμός.

Αντιστροφή λειτουργίας διακόπτη (Εικ. 5)

Αυτό το μηχανήμα έχει ένα διακόπτη αντιστροφής για να αλλάζει τη διεύθυνση περιστροφής. Πατήστε το μοχλό διακόπτη αντιστροφής από τη πλευρά Α για δεξιόστροφη περιστροφή ή από την πλευρά Β για αριστερόστροφη.

Όταν ο μοχλός διακόπτη είναι στην ουδέτερη θέση, η σκανδάλη διακόπτης δεν μπορεί να τραβηχθεί.

ΠΡΟΣΟΧΗ:

- Πάντοτε ελέγχετε τη διεύθυνση περιστροφής πριν από τη λειτουργία.
- Χρησιμοποιείτε το διακόπτη αντιστροφής μόνο αφού το μηχανήμα έχει σταματήσει εντελώς. Αλλαγή της διεύθυνσης περιστροφής πριν το μηχανήμα σταματήσει μπορεί να προκαλέσει ζημιά στο μηχανήμα.
- Όταν δεν λειτουργείτε το μηχανήμα, πάντα να θέτετε το μοχλό διακόπτη αντιστροφής στη νεκρή θέση.

ΣΥΝΑΡΜΟΛΟΓΗΣΗ

ΠΡΟΣΟΧΗ:

- Πάντοτε βεβαιώνετε ότι το εργαλείο είναι σβηστό και η κασέτα μπαταρίας έχει αφαιρεθεί πριν εκτελέσετε κάποια εργασία στο εργαλείο.

Επιλογή σωστής υποδοχής

Πάντοτε χρησιμοποιείτε το σωστό μέγεθος υποδοχής για μπουλόνια και παξιμάδια. Μια υποδοχή διαφορετικού μεγέθους θα έχει σαν αποτέλεσμα ανακριβή και ασυμβίβαστη ροπή στερέωσης και/ή ζημιά στο μπουλόνι ή στο παξιμάδι.

Τοποθέτηση ή αφαίρεση υποδοχής (Εικ. 6 και 7)

1. Για υποδοχή χωρίς δακτυλίδι-Ο και πείρο
Για να τοποθετήσετε την υποδοχή, πιέστε την στον πείρο του μηχανήματος μέχρι να κλειδώσει.
Για να απομακρύνετε την υποδοχή, απλώς τραβήξτε την έξω.
2. Για υποδοχή με δακτυλίδι-Ο και πείρο
Μετακινείτε το δακτυλίδι-Ο έξω από την χαραγή στην υποδοχή και βγάλετε τον πείρο από την υποδοχή. Βάλτε την υποδοχή επάνω στο αμόνι του μηχανήματος έτσι ώστε η τρύπα στην υποδοχή να ευθυγραμμίζεται με την τρύπα στο αμόνι. Περάστε τον πείρο μέσα από την τρύπα στην υποδοχή και στο αμόνι. Μετά γυρίστε το δακτυλίδι-Ο στην αρχική θέση στη χαραγή της υποδοχής για συγκράτηση του πείρου. Για να αφαιρέσετε την υποδοχή, ακολουθείστε τις διαδικασίες εγκατάστασης αντίστροφα.

Γάντζος (Εικ. 8)

Ο γάντζος είναι βολικός για την προσωρινή ανάρτηση του εργαλείου. Μπορεί να τοποθετηθεί σε οποιαδήποτε πλευρά του εργαλείου.

Για τοποθέτηση του γάντζου, βάλτε τον σε μία εγκοπή στο περίβλημα του εργαλείου σε μία από τις δύο πλευρές και μετά ασφαλίστε τον με μία βίδα. Για να τον αφαιρέσετε, χαλαρώστε την βίδα και μετά βγάλετε τον.

ΛΣΙΤΟΥΡΓΙΑ

ΠΡΟΣΟΧΗ:

- Πάντοτε βάζετε την κασέτα μπαταρίας πλήρως μέσα μέχρι να κλειδώνει στη θέση της. Εάν το κόκκινο τμήμα στο επάνω μέρος του κουμμπίου είναι ορατό, τότε δεν είναι κλειδωμένη εντελώς. Βάλτε την πλήρως μέσα μέχρι το κόκκινο τμήμα να μην είναι ορατό. Εάν όχι, μπορεί να πέσει τυχαία έξω από το εργαλείο, προκαλώντας τραυματισμό σε σας ή σε κάποιον γύρω σας.

Κρατήστε το εργαλείο σταθερά και τοποθετήστε την υποδοχή επάνω στο μπουλόνι ή παξιμάδι. Ανάψτε το εργαλείο και στερεώστε για τον κατάλληλο χρόνο στερέωσης. (Εικ. 9)

Η κατάλληλη ροπή στερέωσης μπορεί να διαφέρει εξαρτημένη από το είδος ή μέγεθος του μπουλονιού, το υλικό του αντικειμένου εργασίας που πρόκειται να στερεωθεί, κλπ. Η σχέση μεταξύ ροπής στερέωσης και χρόνου στερέωσης φαίνεται στην Εικ. 10 και Εικ. 11.

ΠΑΡΑΤΗΡΗΣΗ:

- Κρατείστε το εργαλείο διευθυνόμενο ίσια στο μπουλόνι ή παξιμάδι.
- Υπερβολική ροπή στερέωσης μπορεί να κάνει ζημιά στο μπουλόνι/παξιμάδι ή στην υποδοχή. Πριν αρχίσετε την εργασία σας, πάντοτε εκτελείτε μία δοκιμαστική λειτουργία για να διαπιστώσετε τον κατάλληλο χρόνο στερέωσης για το μπουλόνι ή παξιμάδι σας.

- Εάν το εργαλείο λειτουργεί συνεχώς, μέχρι εκφόρτωσης της κασέτας μπαταρίας του, αφήστε το εργαλείο να αναπαυθεί για 15 λεπτά πριν προχωρήσετε με μιά φρέσκια μπαταρία.

Η ροπή στερέωσης επηρεάζεται από μεγάλη ποικιλία παραγόντων στους οποίους περιλαμβάνονται οι ακόλουθοι. Μετά τη στερέωση, πάντοτε ελέγχετε τη ροπή με ένα κλειδί ροπής.

1. Όταν η κασέτα μπαταρίας εκφορτιστεί σχεδόν εντελώς, η τάση θα πέσει και η ροπή στερέωσης θα μειωθεί.
2. Υποδοχή
 - Μη χρησιμοποίηση του σωστού μεγέθους υποδοχής θα προκαλέσει μείωση στη ροπή στερέωσης.
 - Μια φθαρμένη υποδοχή (φθορά στην εξαγ. άκρη ή στη τετράγωνη άκρη) θα προκαλέσει μείωση στη ροπή στερέωσης.
3. Μπουλόνι
 - Ακόμη και εάν ο συντελεστής ροπής και η κατηγορία του μπουλονιού είναι τα ίδια, η κατάλληλη ροπή στερέωσης θα διαφέρει σύμφωνα με τη διάμετρο του μπουλονιού.
 - Ακόμη και εάν οι διάμετροι μπουλονιών είναι ίδιες, η κατάλληλη ροπή στερέωσης θα διαφέρει σύμφωνα με το συντελεστή ροπής, τη κατηγορία του μπουλονιού και το μήκος του μπουλονιού.
4. Η χρησιμοποίηση της γενικής χρήσης άρθρωσης ή της μπάρας επέκτασης μειώνει κατά κάτι τη δύναμη στερέωσης του κλειδιού κρούσης. Αναπληρώστε στερεώνοντας για μακρύτερη χρονική διάρκεια.
5. Ο τρόπος κρατήματος του εργαλείου ή η θέση οδήγησης του προς στερέωση υλικού θα επηρεάσουν την ροπή.
6. Η λειτουργία του εργαλείου σε χαμηλή ταχύτητα θα προκαλέσει μία μείωση στη ροπή στερέωσης.

ΣΥΝΤΗΡΗΣΗ

ΠΡΟΣΟΧΗ:

- Πάντοτε βεβαιώνετε ότι το εργαλείο είναι σβηστό και η κασέτα μπαταρίας έχει αφαιρεθεί πριν επιχειρήσετε να κάνετε έλεγχο ή συντήρηση.
- Μην χρησιμοποιείτε ποτέ βενζίνη, πετρελαϊκό αιθέρα, διαλυτικό, αλκοόλη ή παρόμοιες ουσίες. Ενδέχεται να προκληθεί αποχρωματισμός παραμόρφωση ή ρωγμές.

Αντικατάσταση καρβονάκια

Αντικαθιστάτε τις όταν φθαρούν μέχρι το σημάδι ορίου. Κρατάτε τις ψήκτρες άνθρακα καθαρές και ελεύθερες να γλιστρούν στις θήκες. Και οι δύο ψήκτρες άνθρακα πρέπει να αντικαθίστανται ταυτόχρονα. Χρησιμοποιείτε μόνο ταυτόσημες ψήκτρες άνθρακα. **(Εικ. 12)**

Χρησιμοποιείτε ένα κατασβίδι για να αφαιρέσετε τις δύο βίδες και μετά αφαιρέστε το πίσω κάλυμμα. **(Εικ. 13)**

Σηκώστε το τμήμα βραχίονα του ελατηρίου μετά βάλτε το στο κόιλο τμήμα του περιβλήματος με ένα κατασβίδι αιχμής μείον με λεπτό στέλεχος ή κάτι παρόμοιο. **(Εικ. 14)**

Χρησιμοποιείτε πένσα για να αφαιρέσετε τα καπάκια των ψηκτρών άνθρακα. Αφαιρέστε τις φθαρμένες ψήκτρες άνθρακα, βάλτε τις καινούργιες και αντικαταστήστε τα καπάκια των ψηκτρών άνθρακα αντίστροφα. **(Εικ. 15 και 16)**
Βεβαιωθείτε ότι τα καπάκια των ψηκτρών άνθρακα έχουν εφαρμόσει με ασφάλεια στις τρύπες στις θήκες των ψηκτρών.

Ξαναβάλτε το πίσω κάλυμμα και στερεώστε τις δύο βίδες με ασφάλεια.

Για την διατήρηση της ΑΣΦΑΛΕΙΑΣ και ΑΞΙΟΠΙΣΤΙΑΣ του προϊόντος, επισκευές, οποιαδήποτε άλλη συντήρηση ή ρύθμιση πρέπει να εκτελούνται από τα Εξουσιοδοτημένα Κέντρα Εξυπηρέτησης της Μάκιτα, με χρήση πάντοτε ανταλλακτικών Μάκιτα.

ΠΡΟΑΙΡΕΤΙΚΑ ΕΞΑΡΤΗΜΑΤΑ

ΠΡΟΣΟΧΗ:

- Αυτά τα εξαρτήματα ή προσαρτήματα συνιστώνται για χρήση με το εργαλείο Μάκιτα που περιγράφηκε στις οδηγίες αυτές. Η χρήση οτιδήποτε άλλων εξαρτημάτων ή προσαρτημάτων μπορεί να προκαλέσει κίνδυνο τραυματισμού σε άτομα. Χρησιμοποιείτε τα εξαρτήματα ή προσαρτήματα μόνο για την χρήση που προορίζονται.

Εάν χρειάζεστε οποιαδήποτε βοήθεια για περισσότερες πληροφορίες σε σχέση με αυτά τα εξαρτήματα, αποτανθείτε στο τοπικό σας κέντρο εξυπηρέτησης Μάκιτα.

- Υποδοχές
- Μπάρας επέκτασης
- Γενικής χρήσης άρθρωσης
- Προσαρμοστής άκρων
- Διάφοροι τύποι αυθεντικών μπαταριών και φορτιστών Μάκιτα.

ΠΑΡΑΤΗΡΗΣΗ:

- Μερικά στοιχεία στη λίστα μπορεί να συμπεριλαμβάνονται στη συσκευασία εργαλείου ως στάνταρ εξαρτήματα. Μπορεί να διαφέρουν ανάλογα με τη χώρα.

ENG905-1

Θόρυβος

Το τυπικό Α επίπεδο μετρημένου θορύβου καθορίζεται σύμφωνα με το EN60745:

Μοντέλο DTW250

Στάθμη πίεσης ήχου (L_{pA}): 90 dB (A)
Στάθμη δύναμης ήχου (L_{WA}): 101 dB (A)
Αβεβαιότητα (K): 3 dB (A)

Μοντέλο DTW251

Στάθμη πίεσης ήχου (L_{pA}): 94 dB (A)
Στάθμη δύναμης ήχου (L_{WA}): 105 dB (A)
Αβεβαιότητα (K): 3 dB (A)

Φοράτε ωτοασπίδες

Κραδασμός

Η ολική τιμή δόνησης (άθροισμα τρι-αξονικού διανύσματος) καθορίζεται σύμφωνα με το EN60745:

Μοντέλο DTW250

Είδος εργασίας: Κρουστικό σφίξιμο
μπουλονιών με μέγιστη ικανότητα εργαλείου
Εκπομπή δόνησης (a_h): 14,5 m/s²
Αβεβαιότητα (K): 1,5 m/s²

Μοντέλο DTW251

Είδος εργασίας: Κρουστικό σφίξιμο
μπουλονιών με μέγιστη ικανότητα εργαλείου
Εκπομπή δόνησης (a_h): 11,0 m/s²
Αβεβαιότητα (K): 1,5 m/s²

ENG901-1

- Η δηλωμένη τιμή εκπομπής κραδασμών έχει μετρηθεί σύμφωνα με την πρότυπη μέθοδο δοκιμής και μπορεί να χρησιμοποιηθεί για τη σύγκριση ενός εργαλείου με άλλο.
- Η δηλωμένη τιμή εκπομπής κραδασμών μπορεί να χρησιμοποιηθεί και στην προκαταρκτική αξιολόγηση έκθεσης.

ΠΡΟΕΙΔΟΠΟΙΗΣΗ:

- Η εκπομπή κραδασμών κατά τη χρήση του ηλεκτρικού εργαλείου σε πραγματικές συνθήκες μπορεί να διαφέρει από τη δηλωμένη τιμή εκπομπής ανάλογα με τον τρόπο χρήσης του εργαλείου.
- Φροντίστε να λάβετε τα κατάλληλα μέτρα προστασίας του χειριστή βάσει υπολογισμού της έκθεσης σε πραγματικές συνθήκες χρήσης (λαμβάνοντας υπόψη όλες τις συνιστώσες του κύκλου λειτουργίας όπως τους χρόνους που το εργαλείο είναι εκτός λειτουργίας και όταν βρίσκεται σε αδρανή λειτουργία πέραν του χρόνου ενεργοποίησης).

Μόνο για χώρες της Ευρώπης**Δήλωση Συμμόρφωσης ΕΚ****Η Makita δηλώνει ότι τα ακόλουθα μηχανήματα:**

Χαρακτηρισμός μηχανήματος:

Ασύρματο κρουστικό κλειδί

Αρ. μοντέλου/ Τύπος: DTW250, DTW251

Συμμορφώνονται με τις ακόλουθες Ευρωπαϊκές Οδηγίες:

2006/42/ΕΚ

Κατασκευάζονται σύμφωνα με τα ακόλουθα πρότυπα ή έγγραφα τυποποίησης:

EN60745

Το αρχείο τεχνικών στοιχείων, σύμφωνα με την Οδηγία 2006/42/ΕΚ, διατίθεται από:

Makita, Jan-Baptist Vinkstraat 2, 3070, Βέλγιο

31.12.2013



Yasushi Fukaya

Διευθυντής

Makita, Jan-Baptist Vinkstraat 2, 3070, Βέλγιο

Makita Jan-Baptist Vinkstraat 2, 3070, Belgium
Makita Corporation Anjo, Aichi, Japan