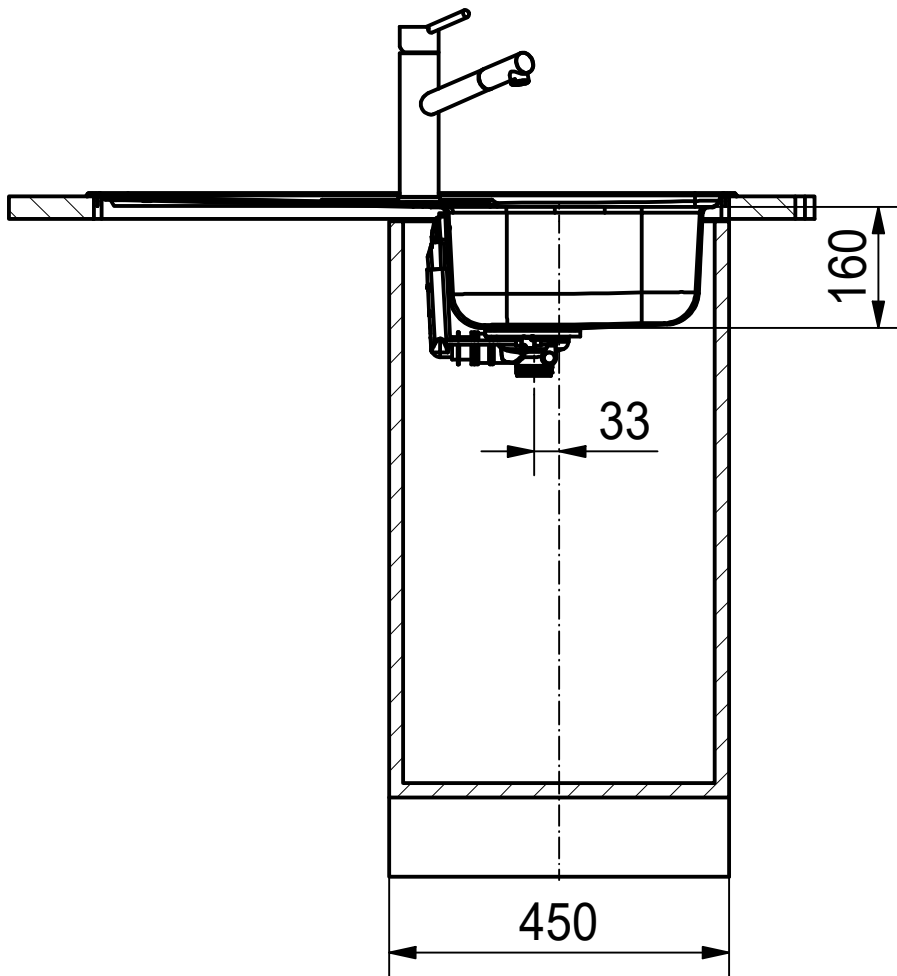


DF



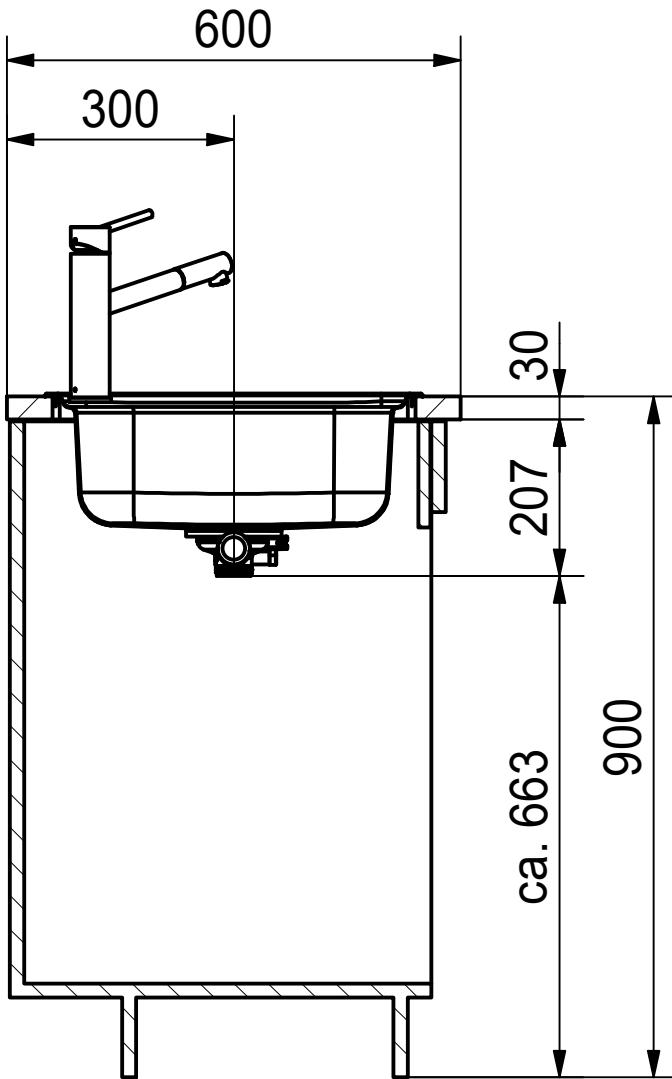
Drawing No.	20254965_02	Revision	A
Drawn Date	12.07.2023		
These drawings and specifications are the property of Franke Technology and Trademark Ltd., Hergiswil, Switzerland.			



FL 611-86x50 rev SI
Installing document

Sheet	Sheets
1	6

DS



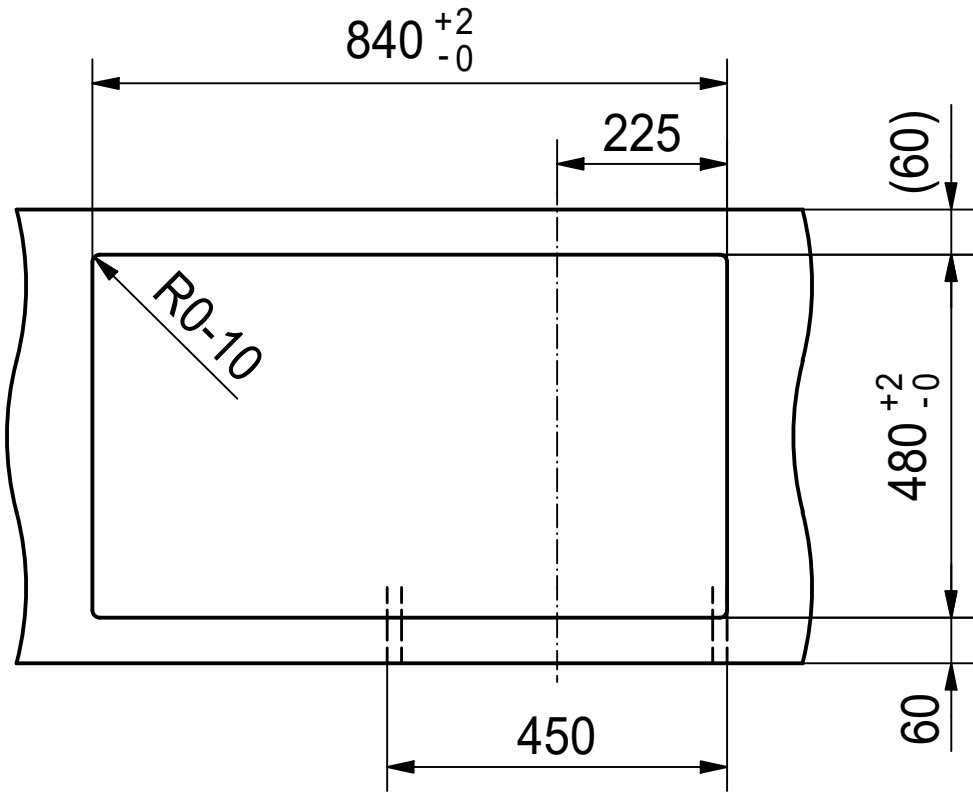
Drawing No.	20254965_02	Revision	A
Drawn Date	12.07.2023		
These drawings and specifications are the property of Franke Technology and Trademark Ltd., Hergiswil, Switzerland.			



FL 611-86x50 rev SI
Installing document

Sheet	Sheets
2	6

CO



Drawing No. 20254965_02 Revision A

Drawn Date 12.07.2023

These drawings and specifications are the property of Franke Technology and Trademark Ltd., Hergiswil, Switzerland.

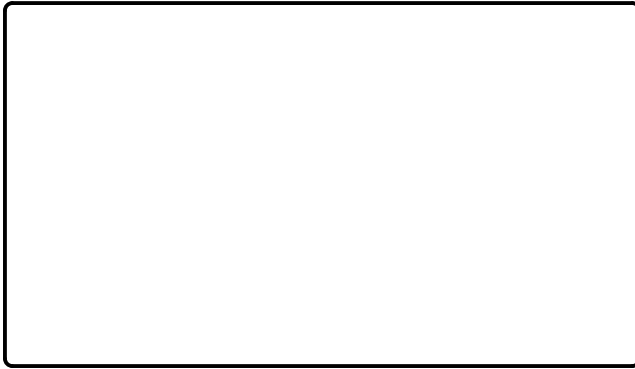


FL 611-86x50 rev SI
Installing document

Sheet Sheets

3 6

CNC



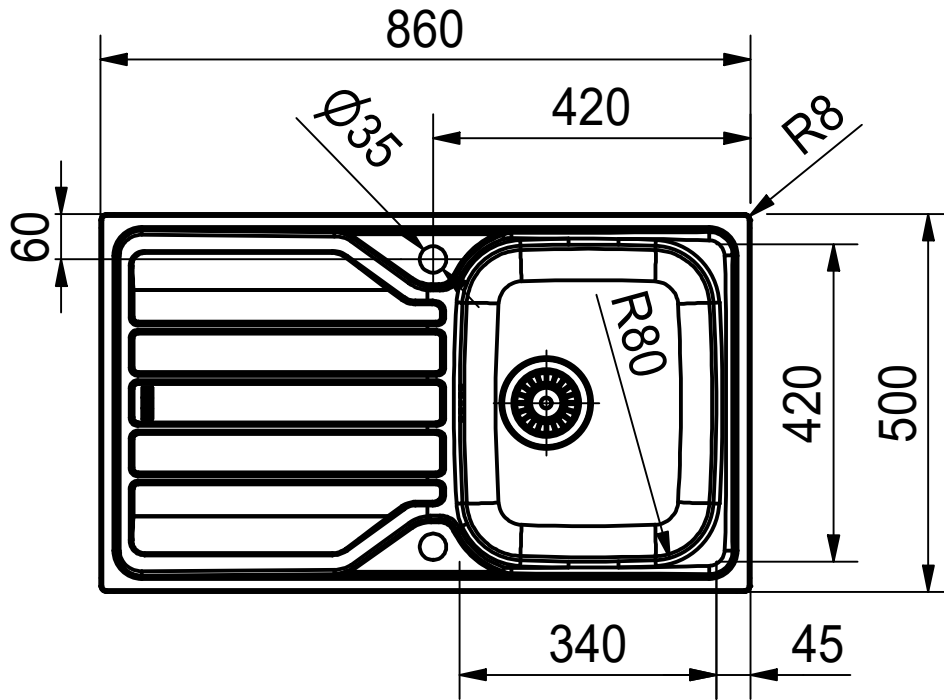
Drawing No.	20254965_02	Revision	A
Drawn Date	12.07.2023		
<small>These drawings and specifications are the property of Franke Technology and Trademark Ltd., Hergiswil, Switzerland.</small>			



FL 611-86x50 rev SI
Installing document

Sheet	Sheets
4	6

DT



Drawing No. 20254965_02 Revision A

Drawn Date 12.07.2023

These drawings and specifications are the property of Franke Technology and Trademark Ltd., Hergiswil, Switzerland.

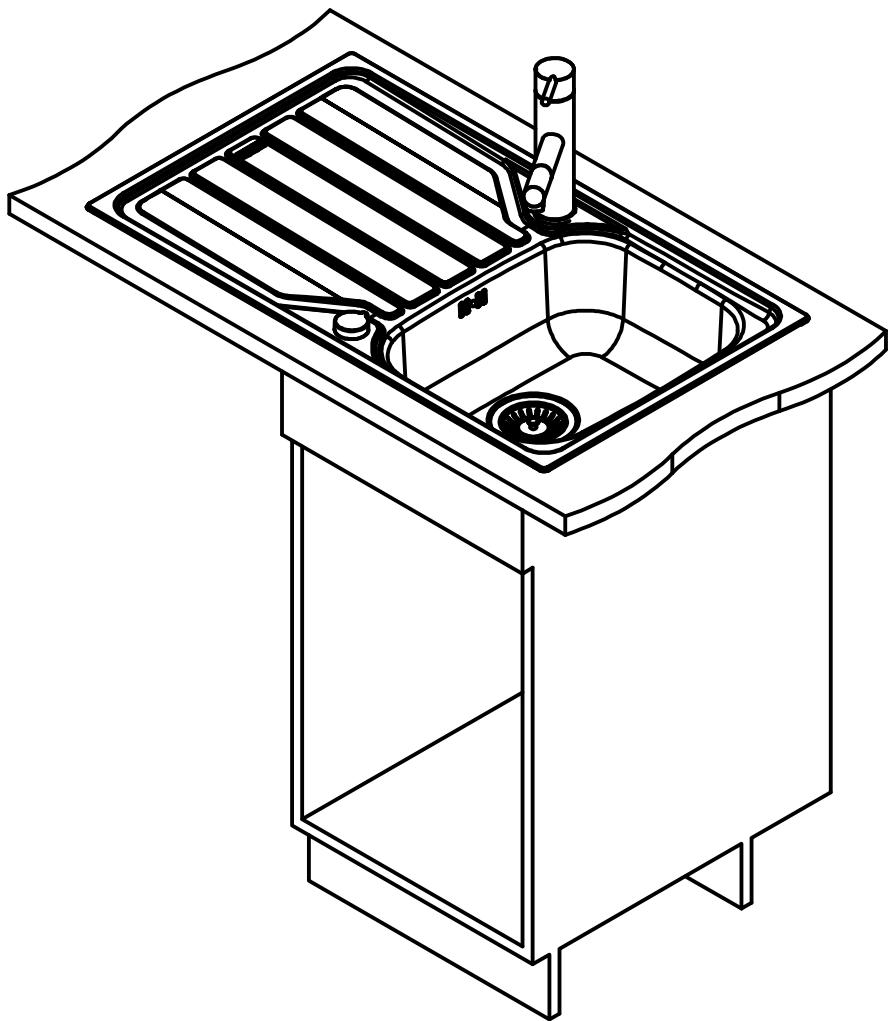


FL 611-86x50 rev SI
Installing document

Sheet Sheets

5 6

ISO



Drawing No. 20254965_02 Revision A

Drawn Date 12.07.2023

These drawings and specifications are the property of Franke Technology and Trademark Ltd., Hergiswil, Switzerland.

FRANKE

FL 611-86x50 rev SI
Installing document

Sheet Sheets

6 6