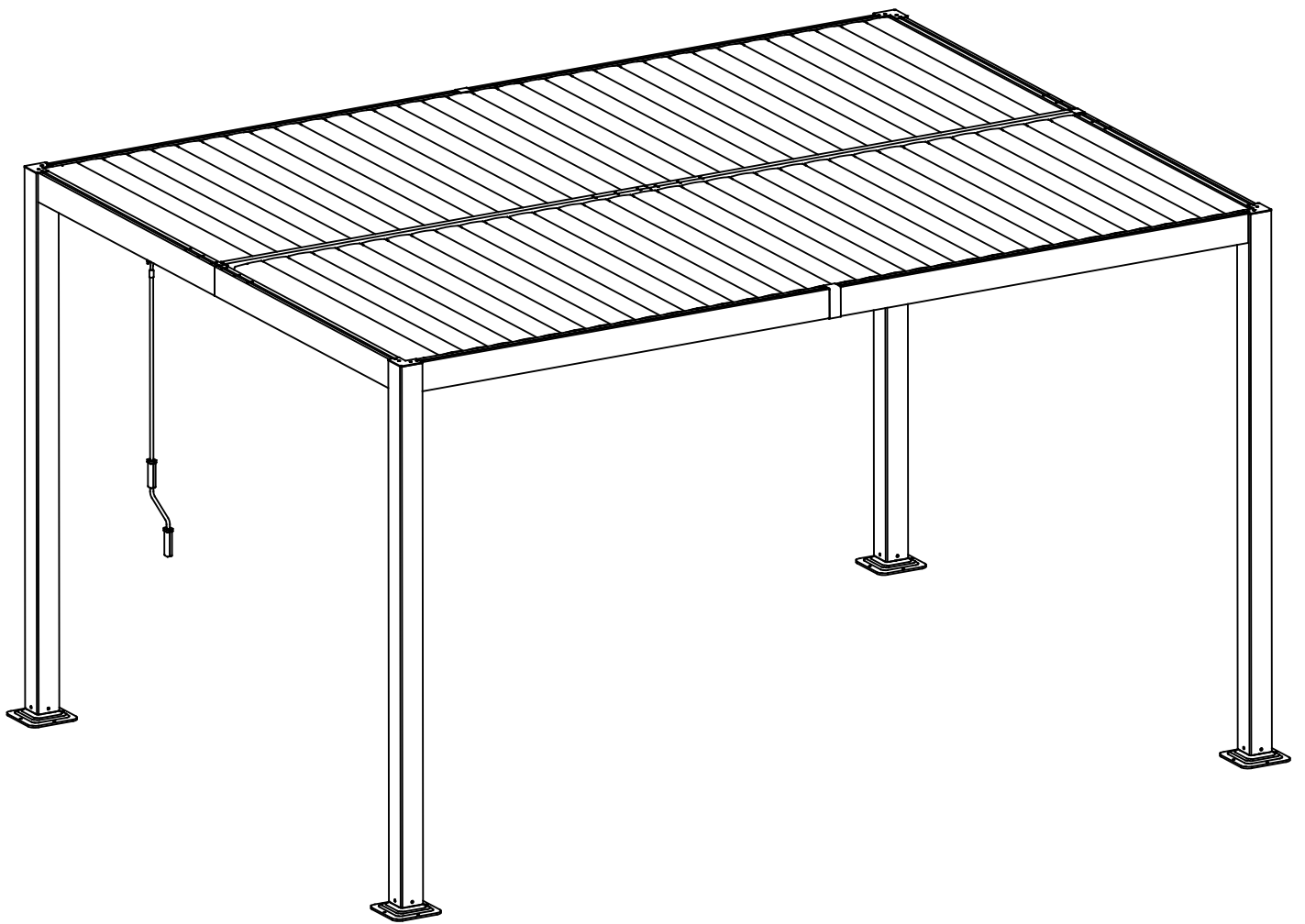
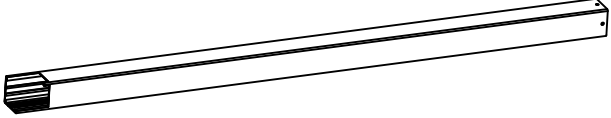
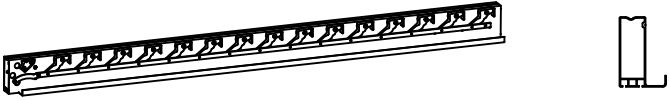
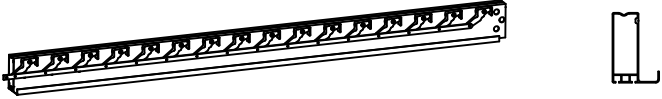
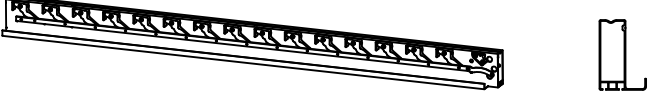
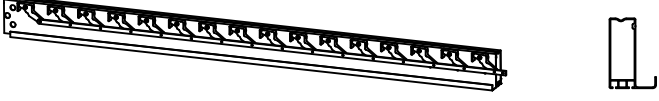







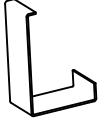



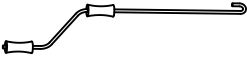





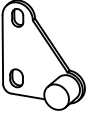
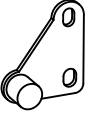





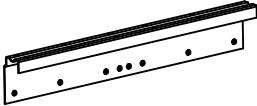
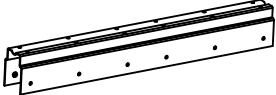

NFC 00854B


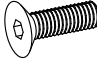
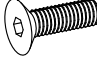
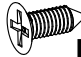


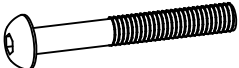
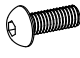


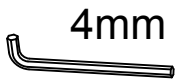
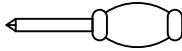

292\*391\*224



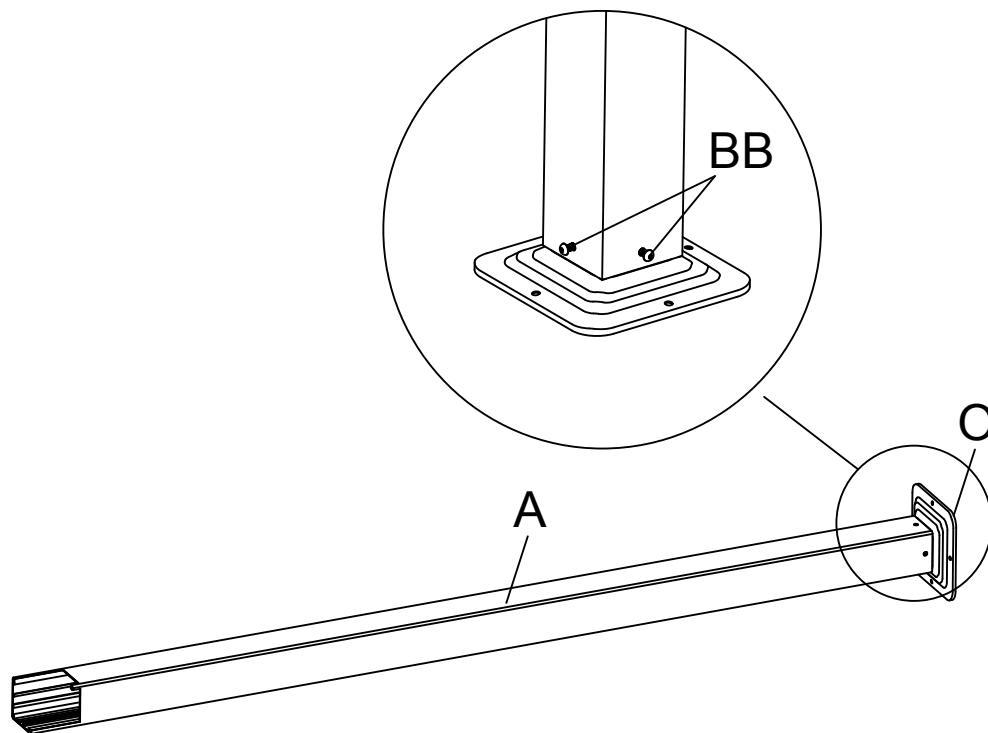
PART NO	DESCRIPTION	QTY	PART NAME
A		4	
B		1	
B1		1	
C		1	
C1		1	
D		1	
D1		1	
E		1	
E1		1	
E2		1	
E3		1	
F		1	
F1		4	

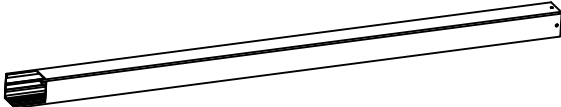
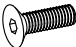

PART NO	DESCRIPTION	QTY	PART NAME
G		2	
H		66	
I		4	
J		1	
K		4	
L		2	
M		2	
N		2	
O		4	
Q		2	
R		2	
S		4	
T		2	

PART NO	DESCRIPTION	QTY	PART NAME
U		4	
V		4	
W		1	
X		1	

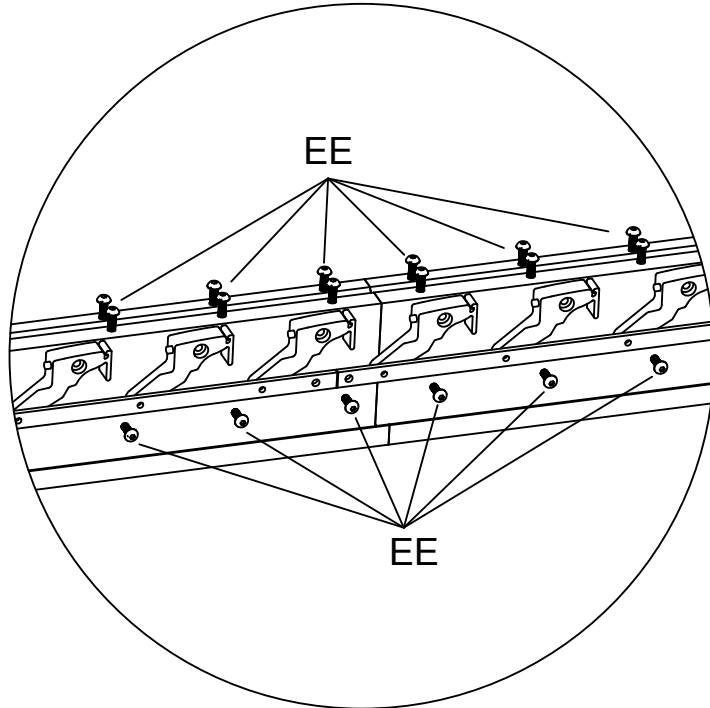
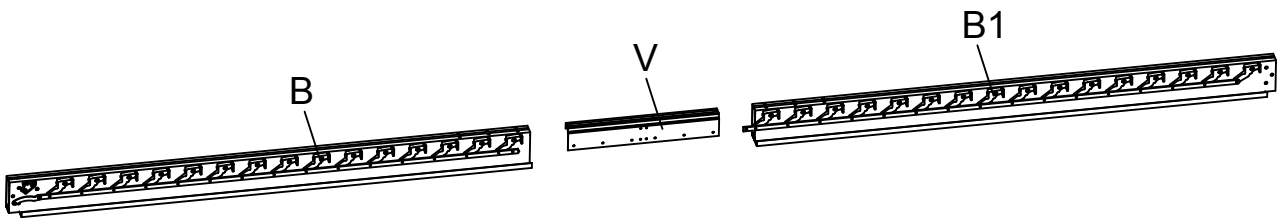
PART NO	DESCRIPTION	QTY	PART NAME
AA	 M6*18	28	
BB	 M6*15	32	
CC	 M6*13	4	
DD	 M4*12	4	
EE	 M6*10	104+2	
FF	 M6	8	
GG	 M6*40	4	
HH	 M5*15	12	
II	 5mm  4mm  4mm	3	
JJ		1	
KK	 10mm	1	

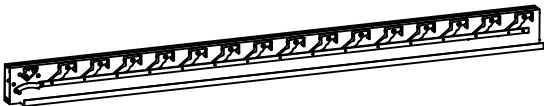
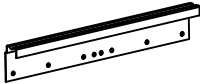
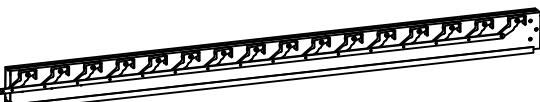
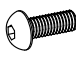
1



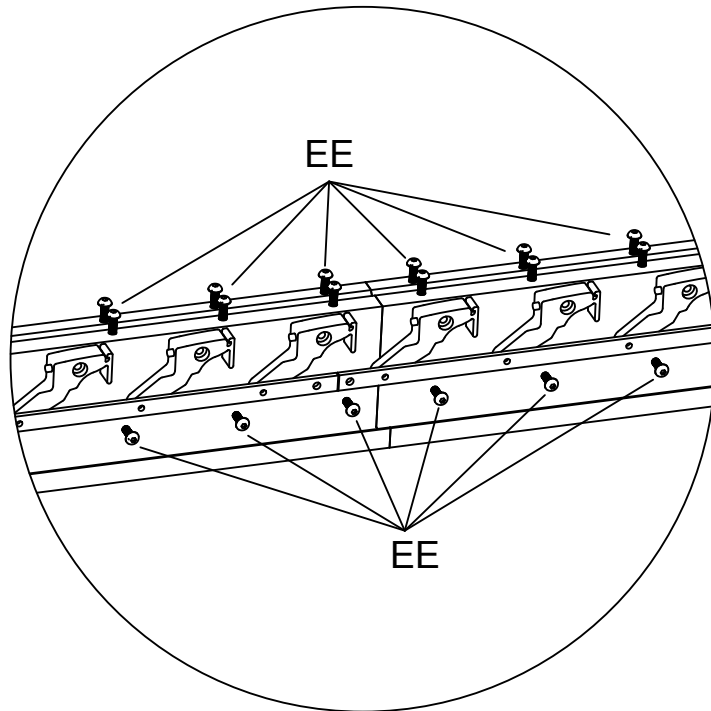
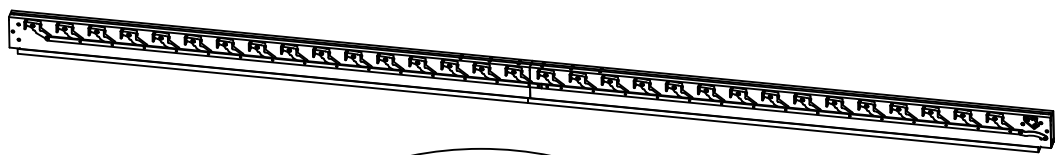
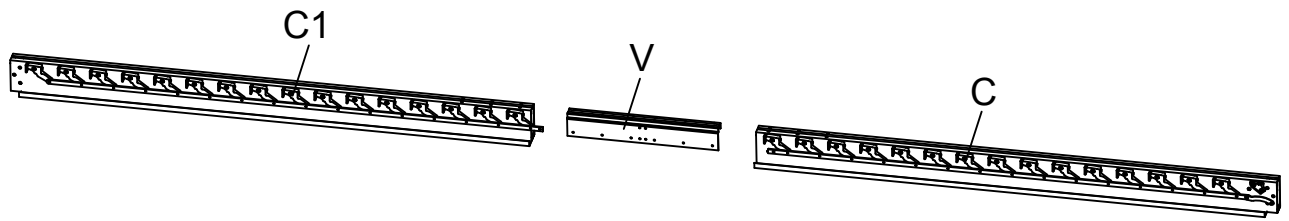
A	4		BB	16	 M6*15
O	4				

2



B	1		V	1	
B1	1		EE	18	 M6*10

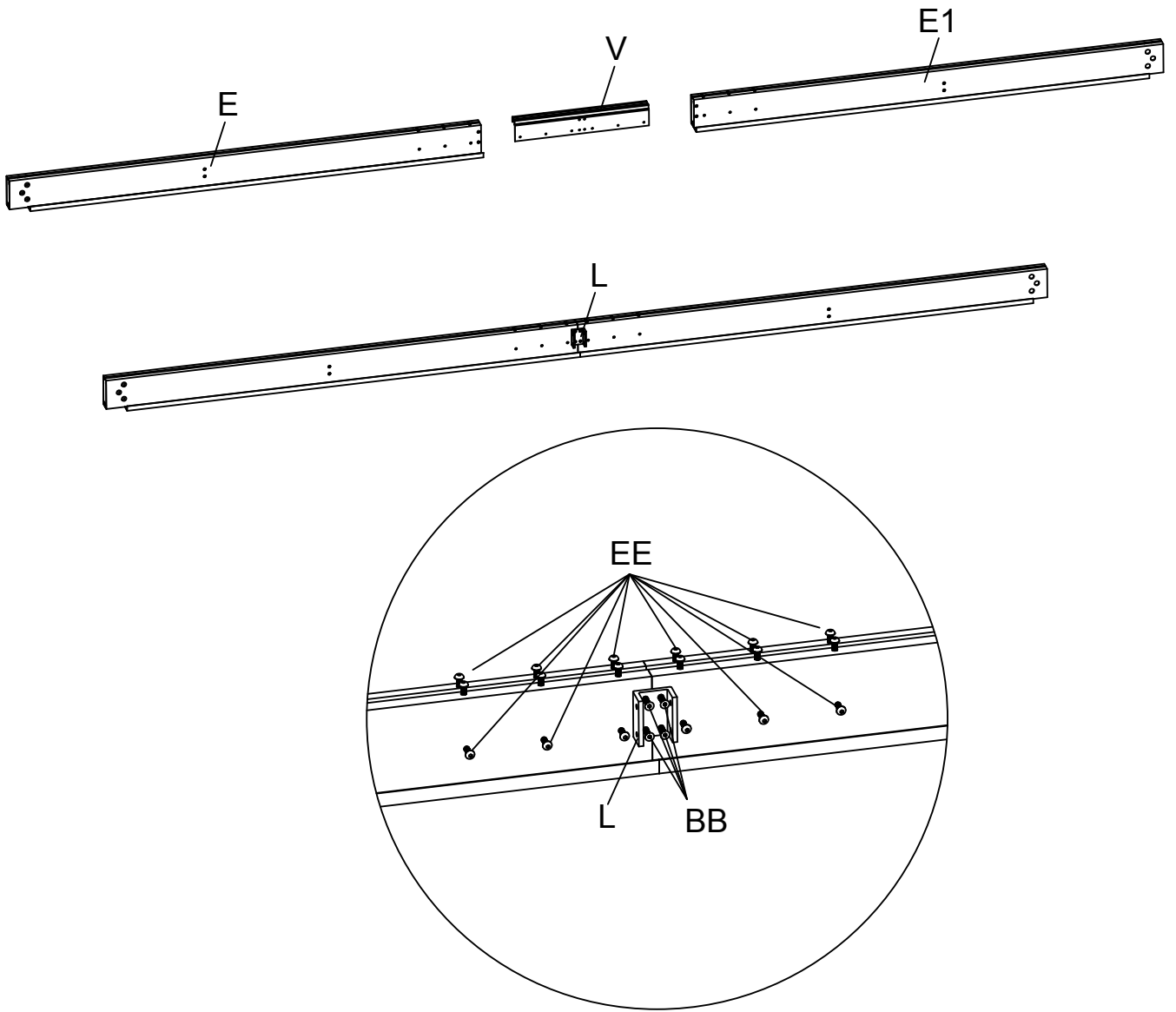
3



C	1		V	1	
C1	1		EE	18	

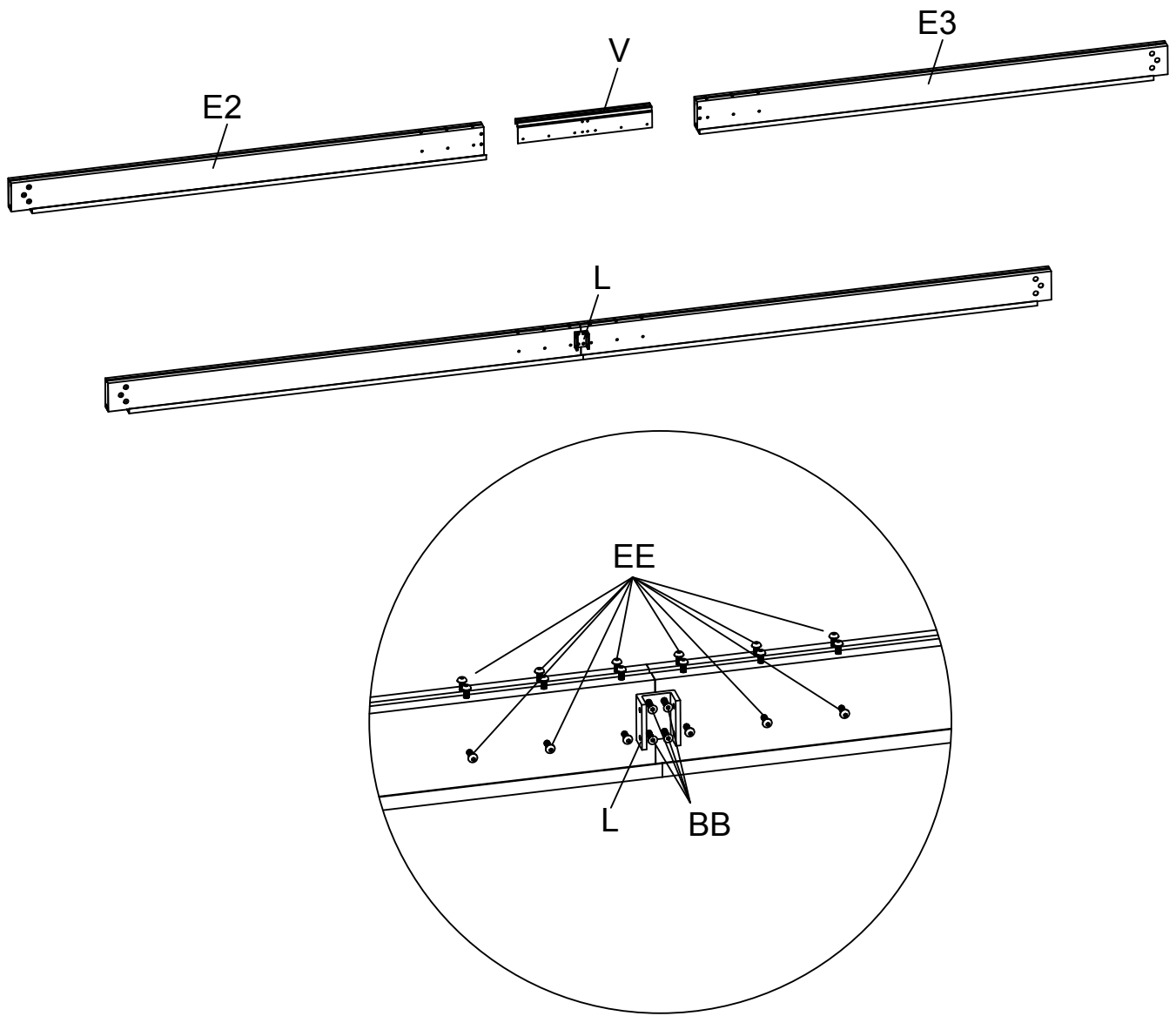



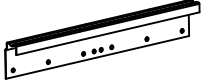

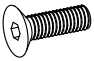


4



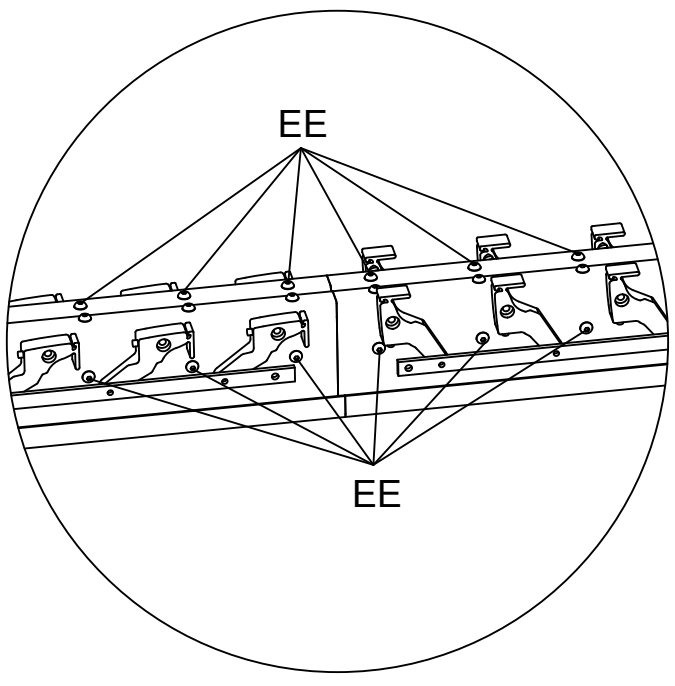
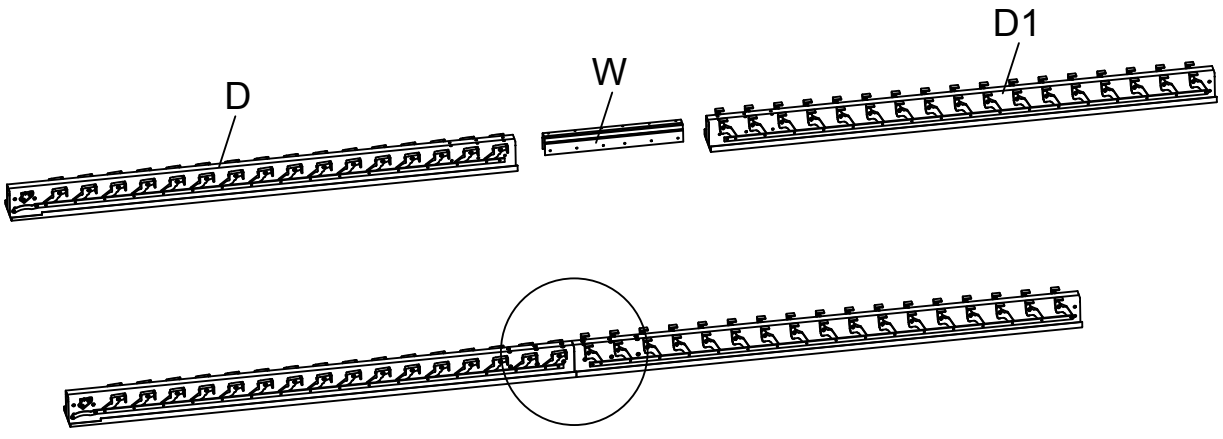
E	1		V	1	
E1	1		BB	4	M6*15
L	1		EE	18	M6*10


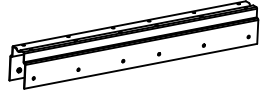

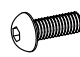
5



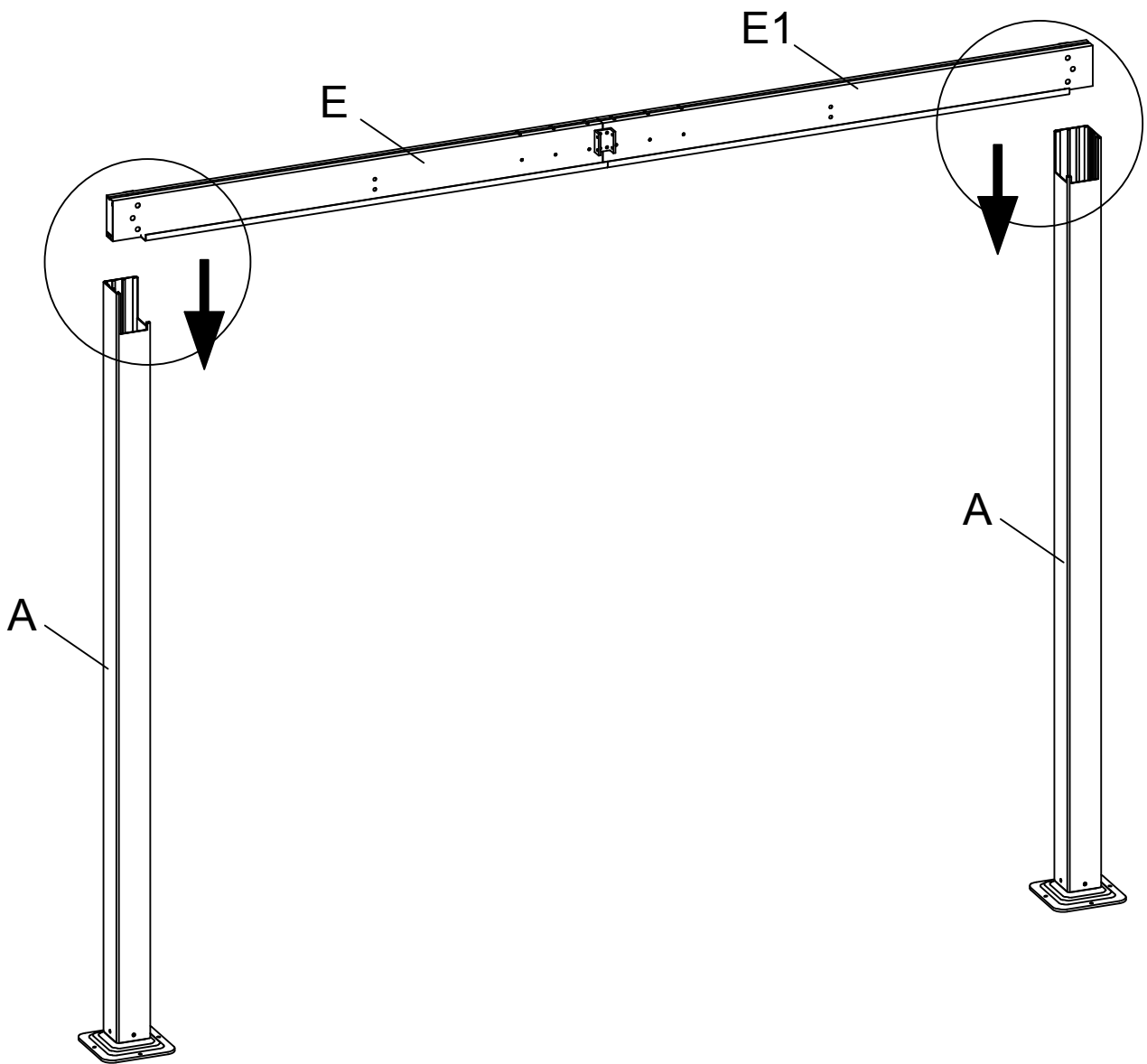
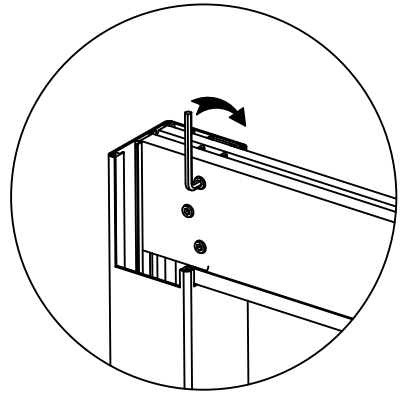
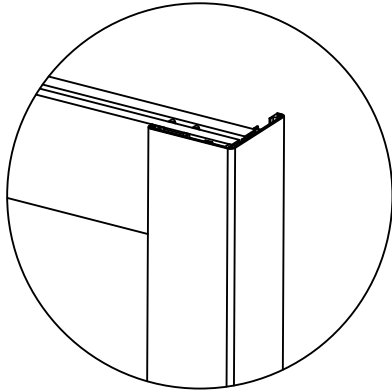
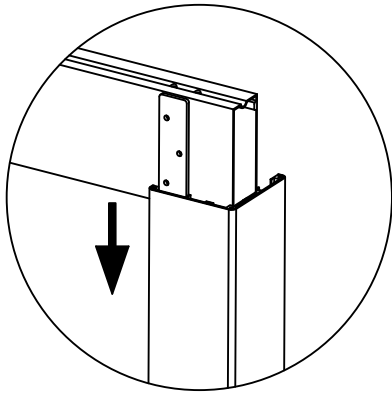
E2	1		V	1	
E3	1		BB	4	 M6*15
L	1		EE	18	 M6*10

6

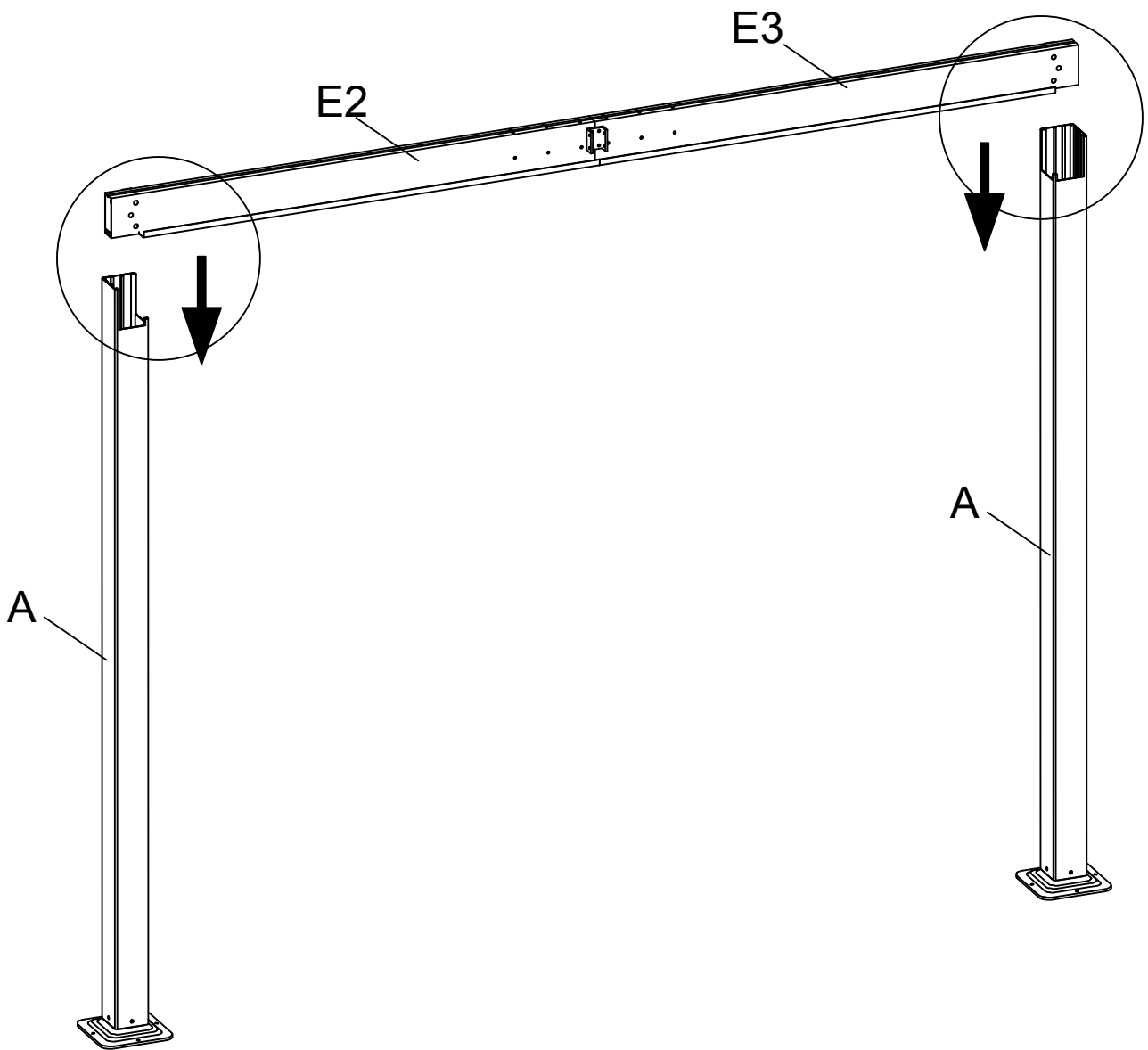
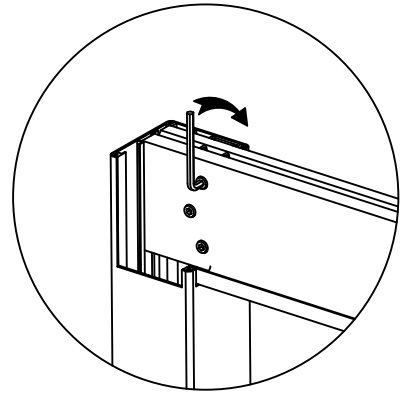
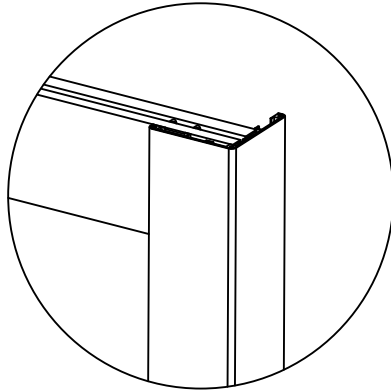
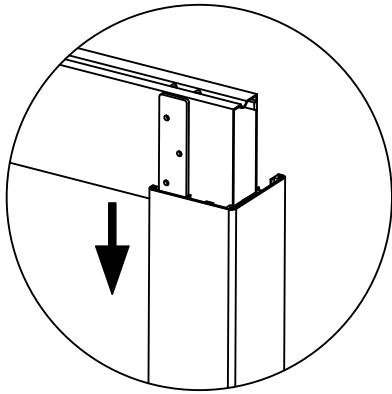


D	1		W	1	
D1	1		EE	24	 M6*10

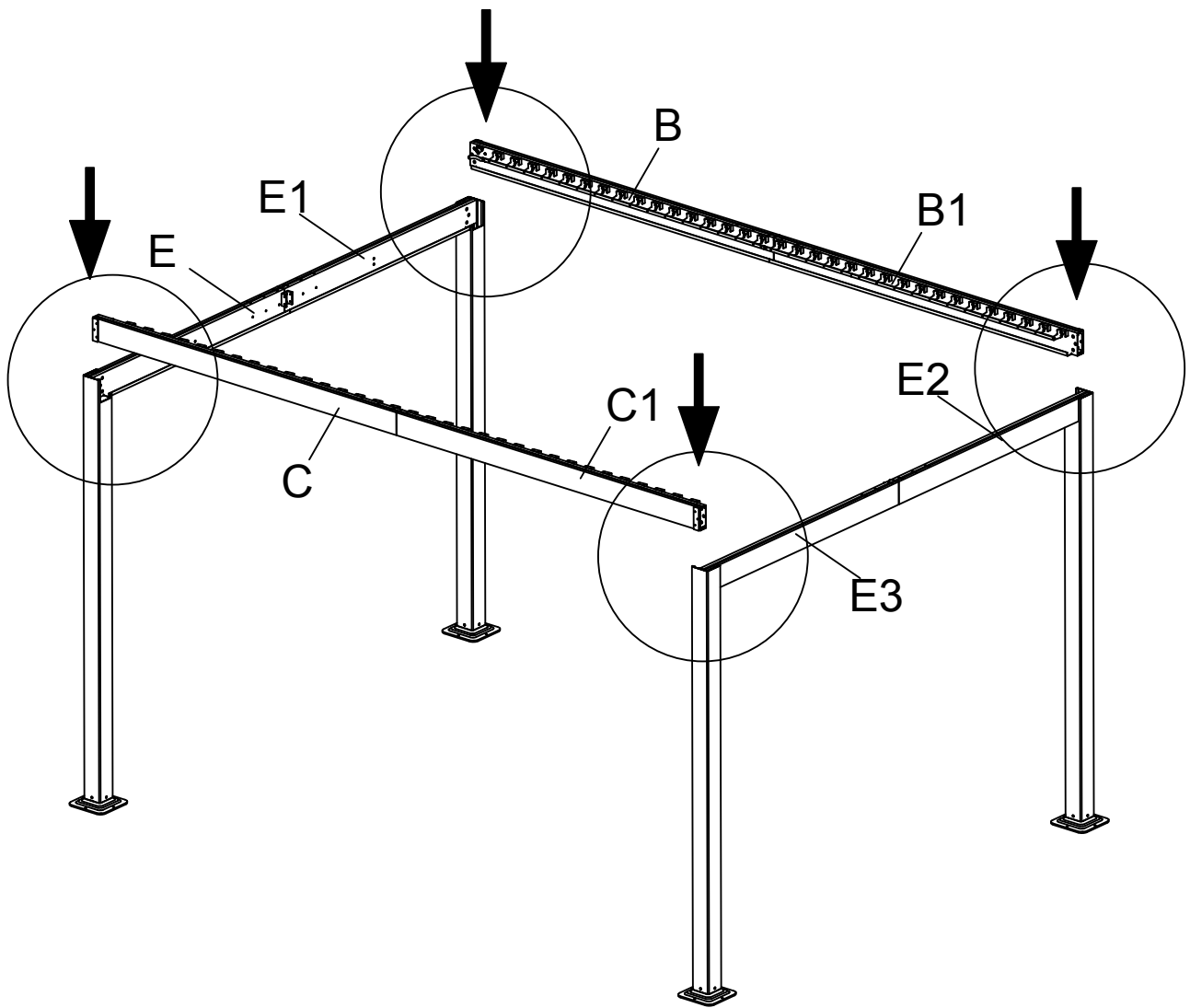
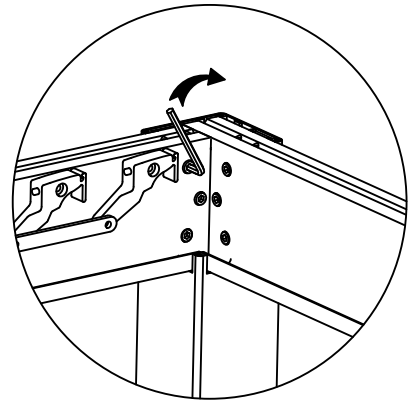
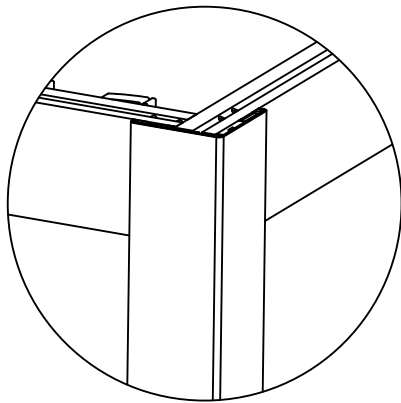
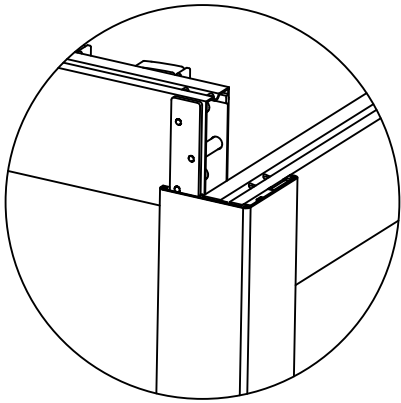
7



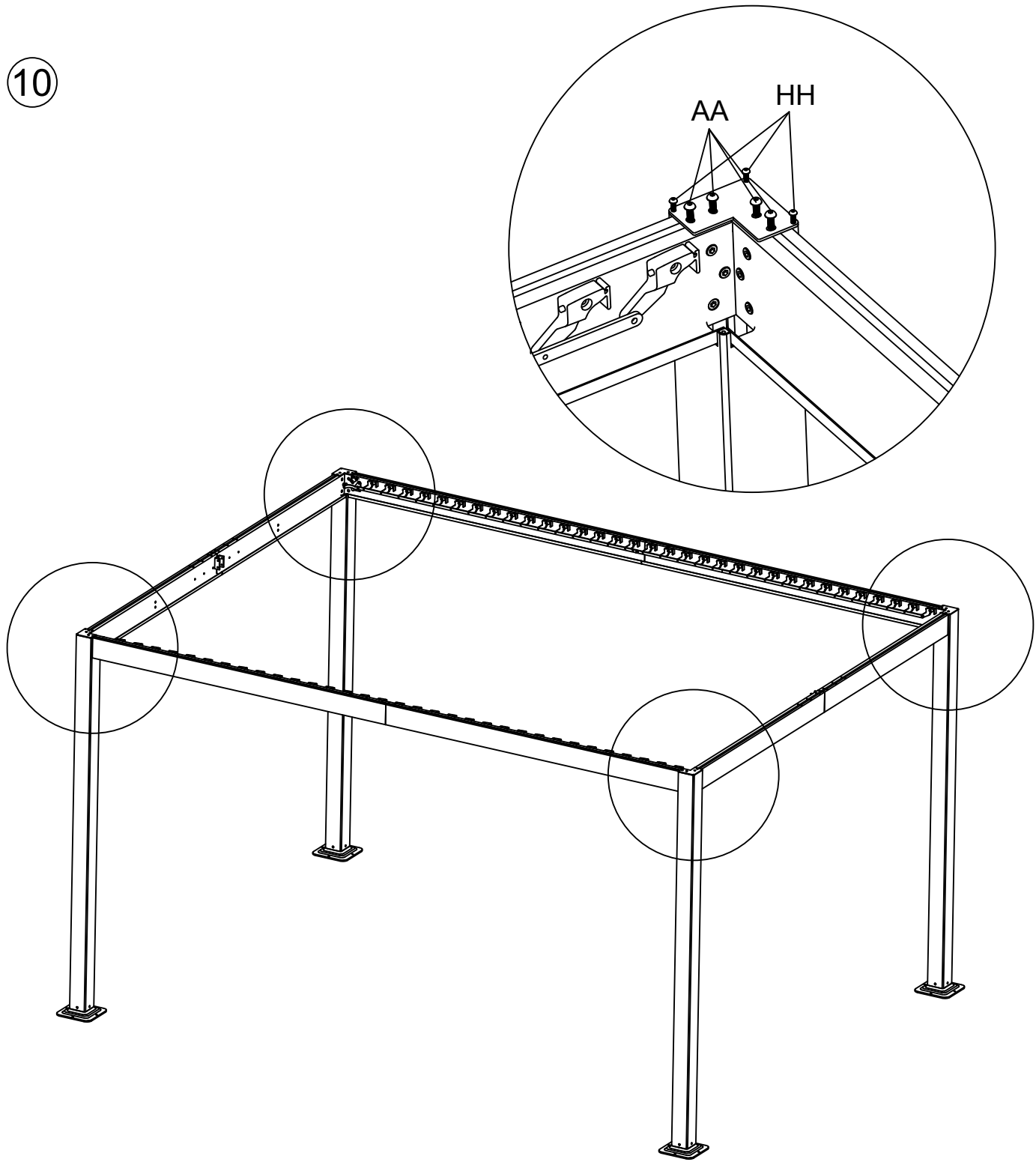
8

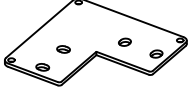




9

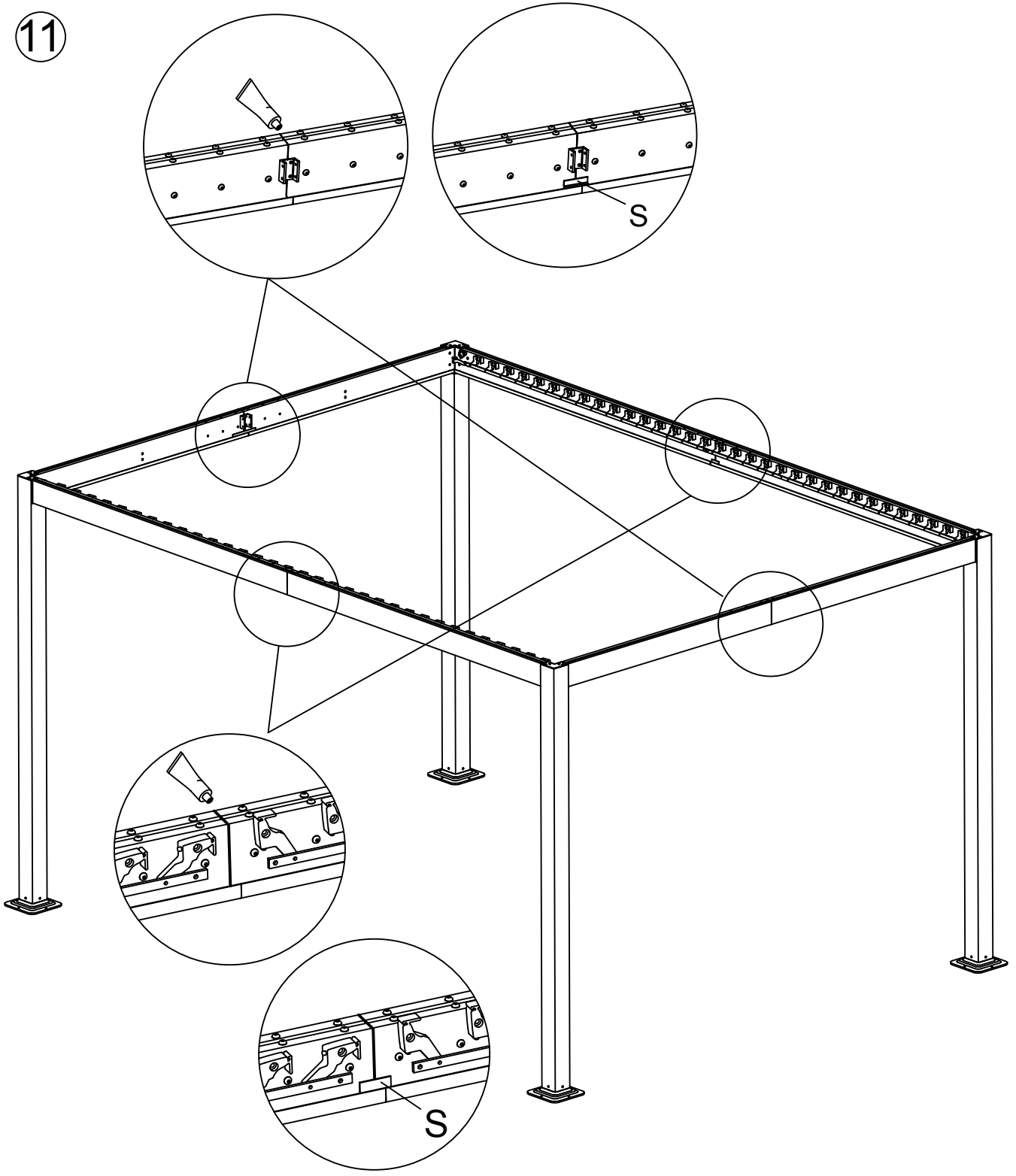




10



K	1		AA	16	 M6*18
HH	12	 M5*15			

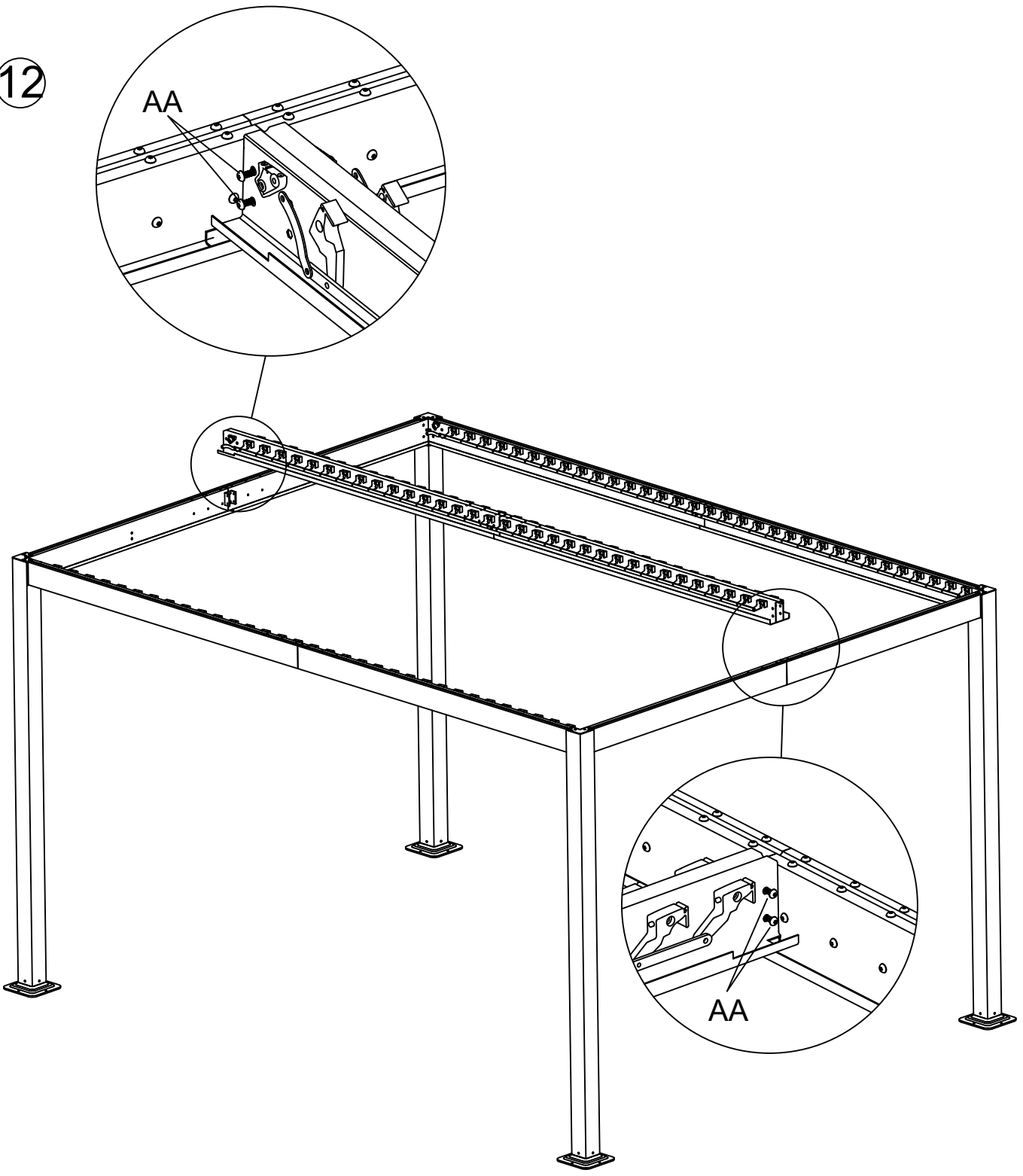
11

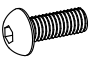


S	4		X	1	
---	---	---	---	---	---

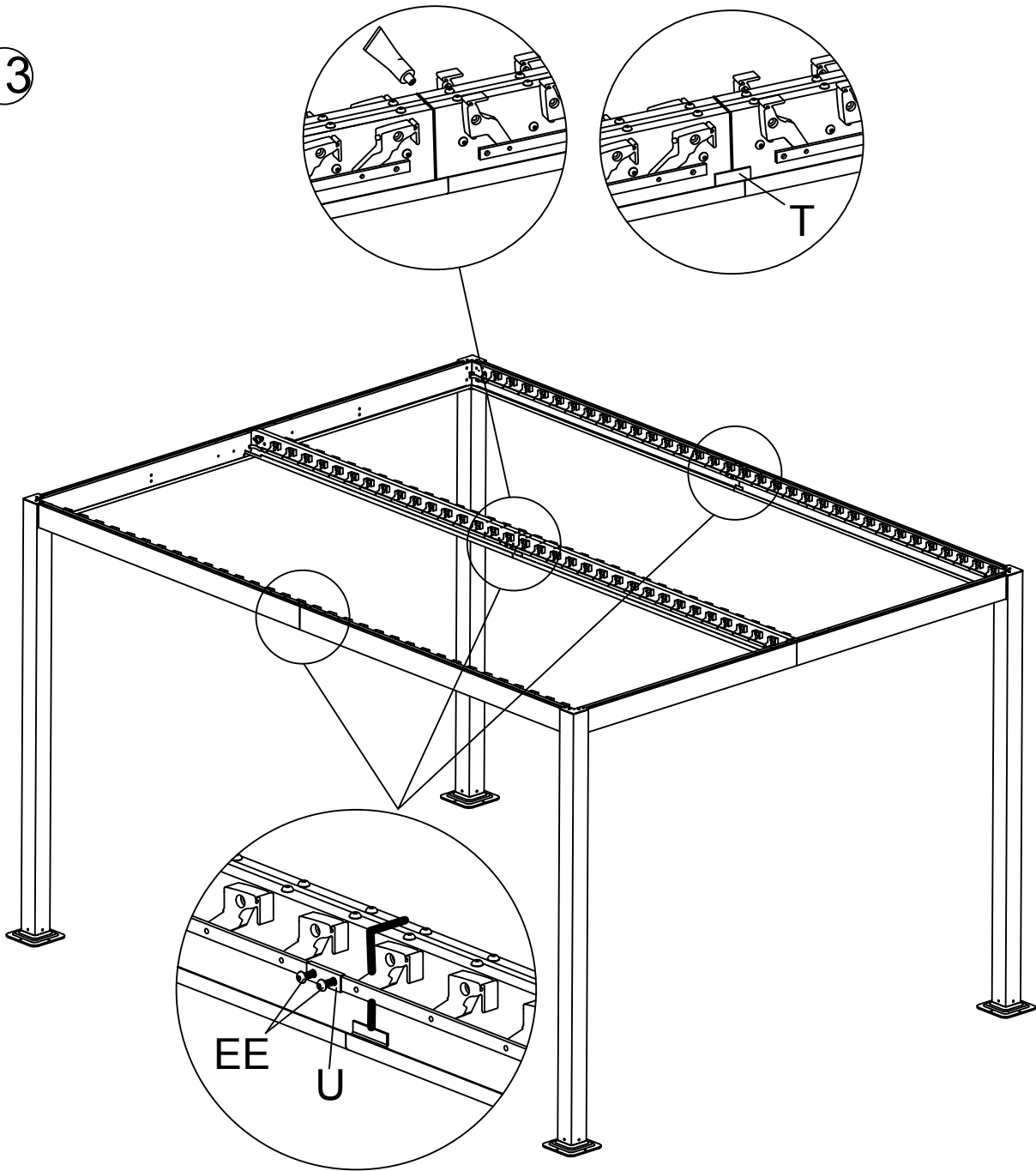


12



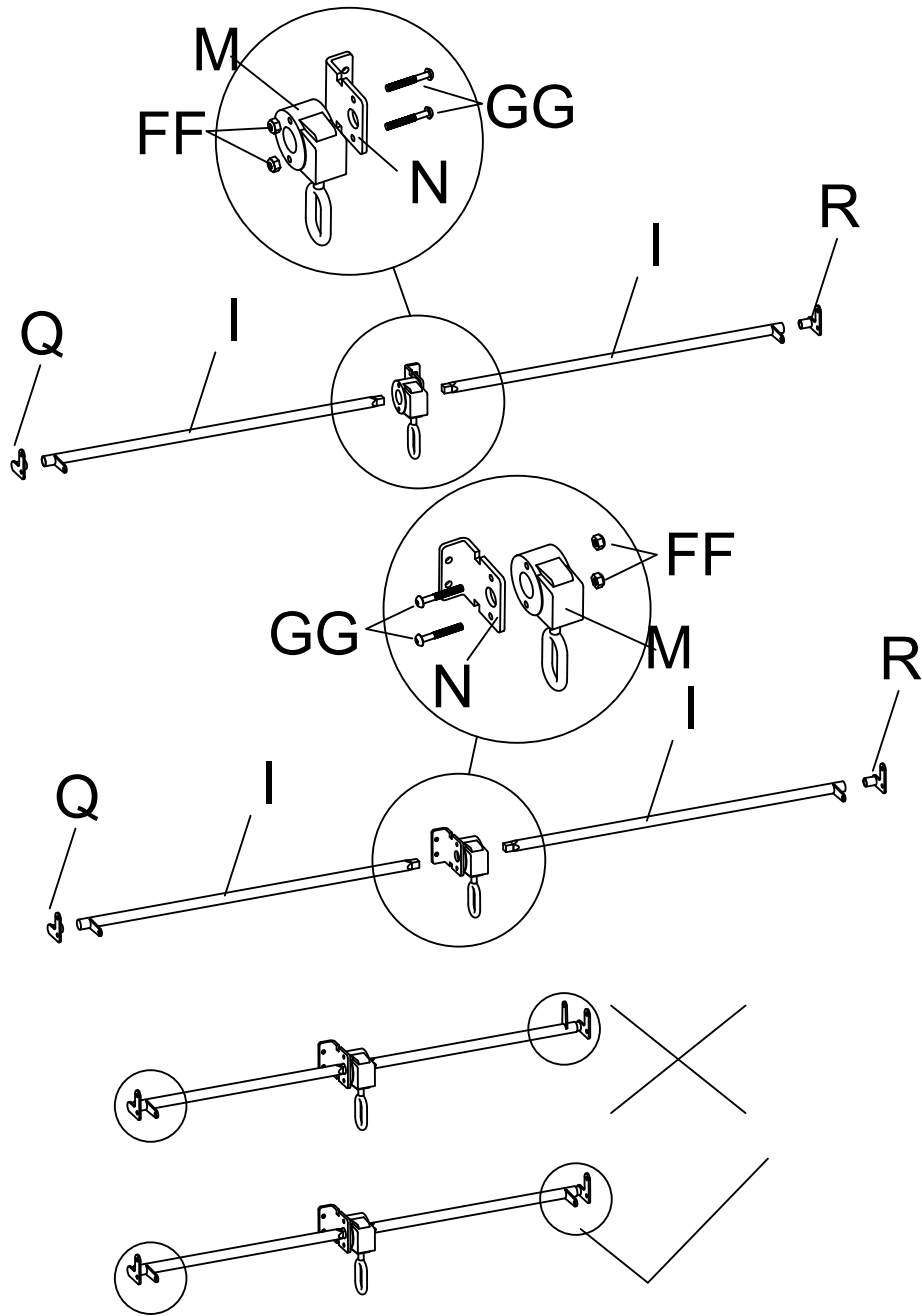
AA	8	 M6*18
----	---	---

13



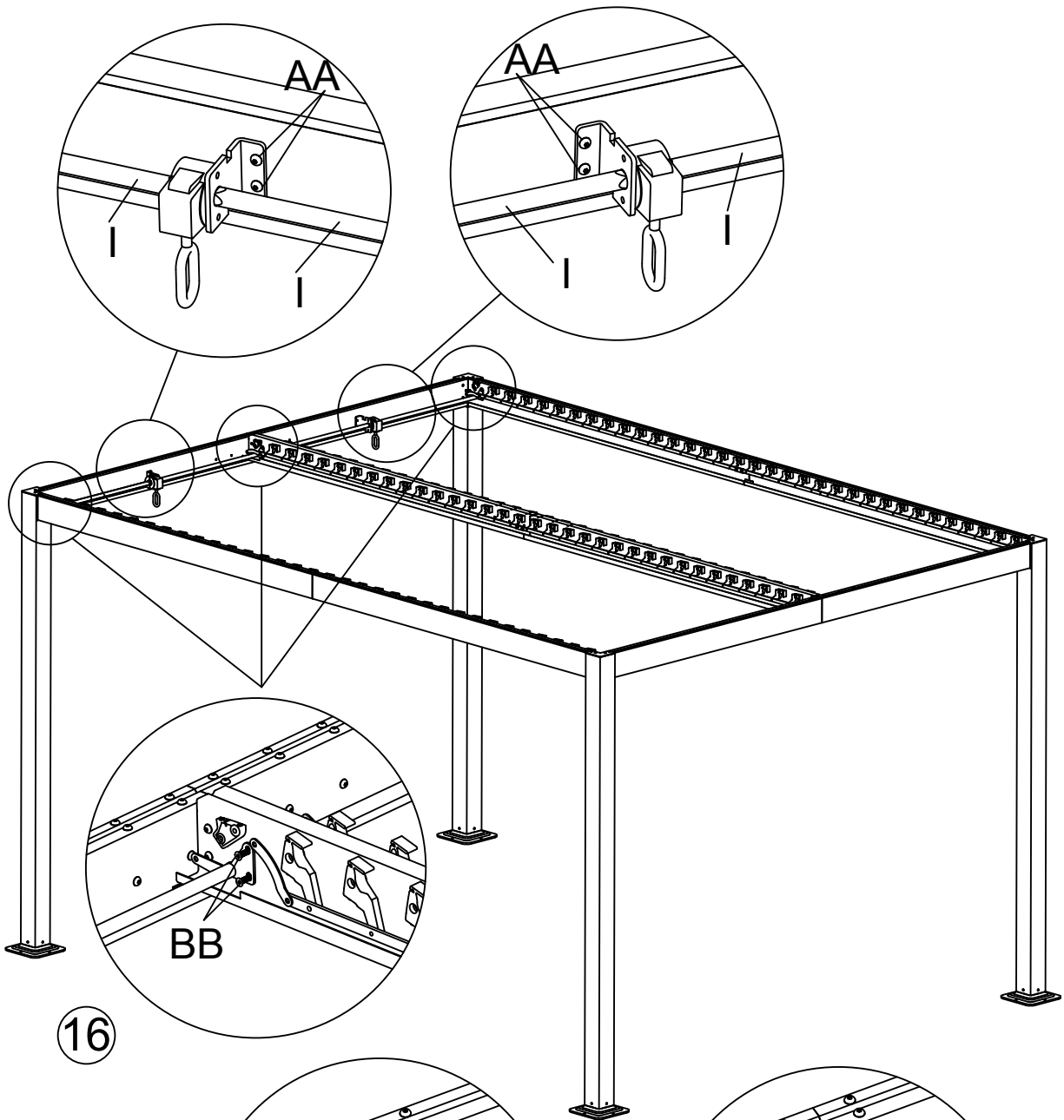
T	2		EE	8		M6*10
U	4					

14

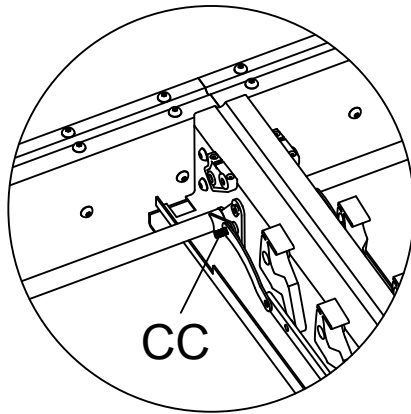


I	4		M	2	
Q	2		N	2	
R	2		GG	4	M6*40
FF	4	M6			

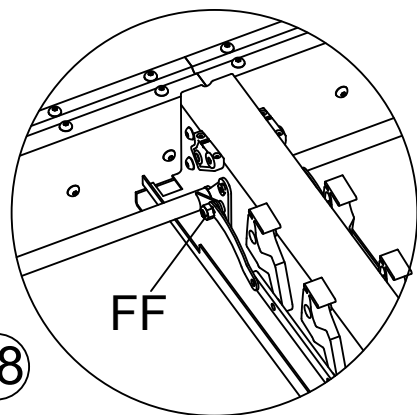
15




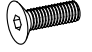
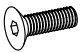

16



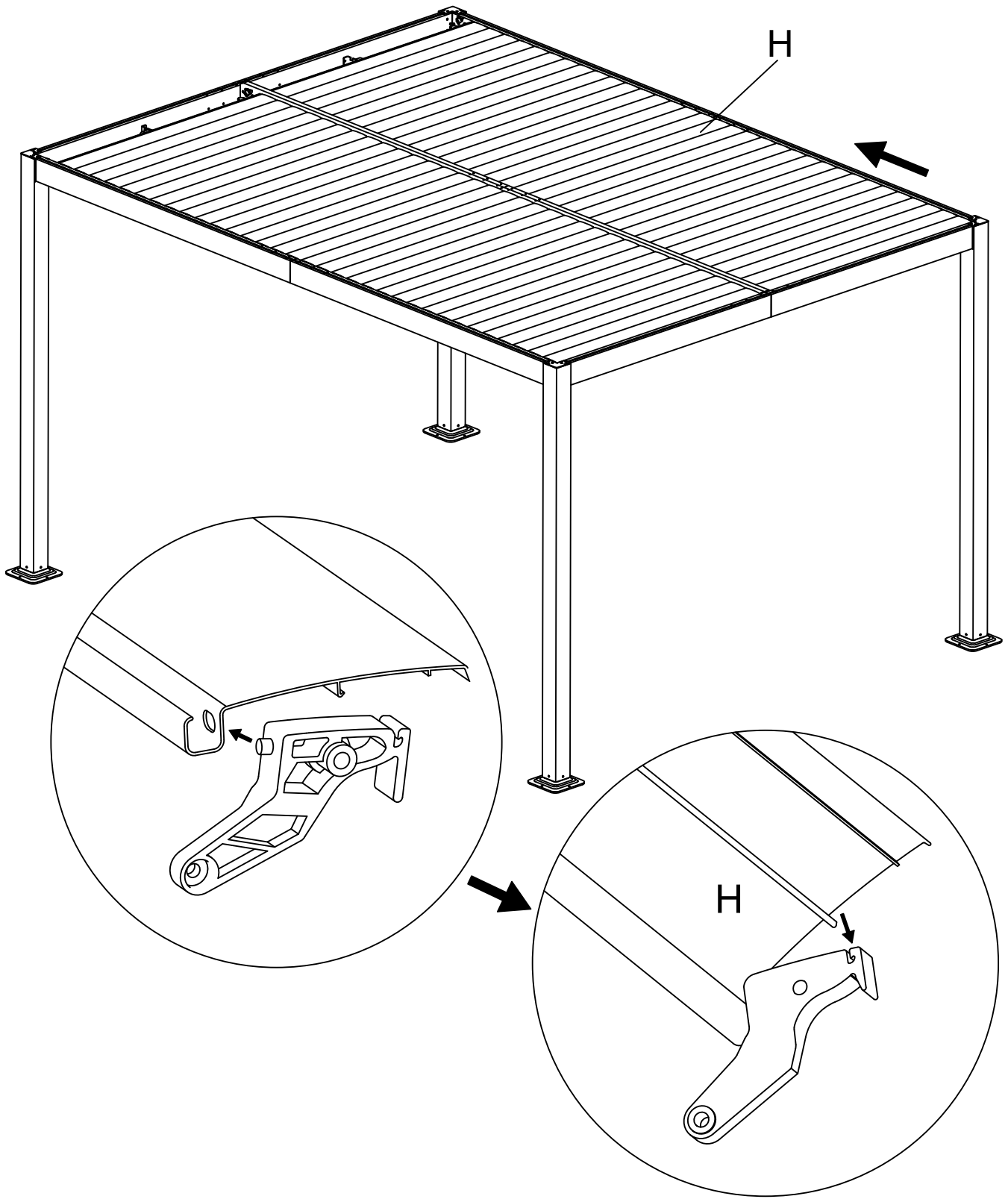
17




18

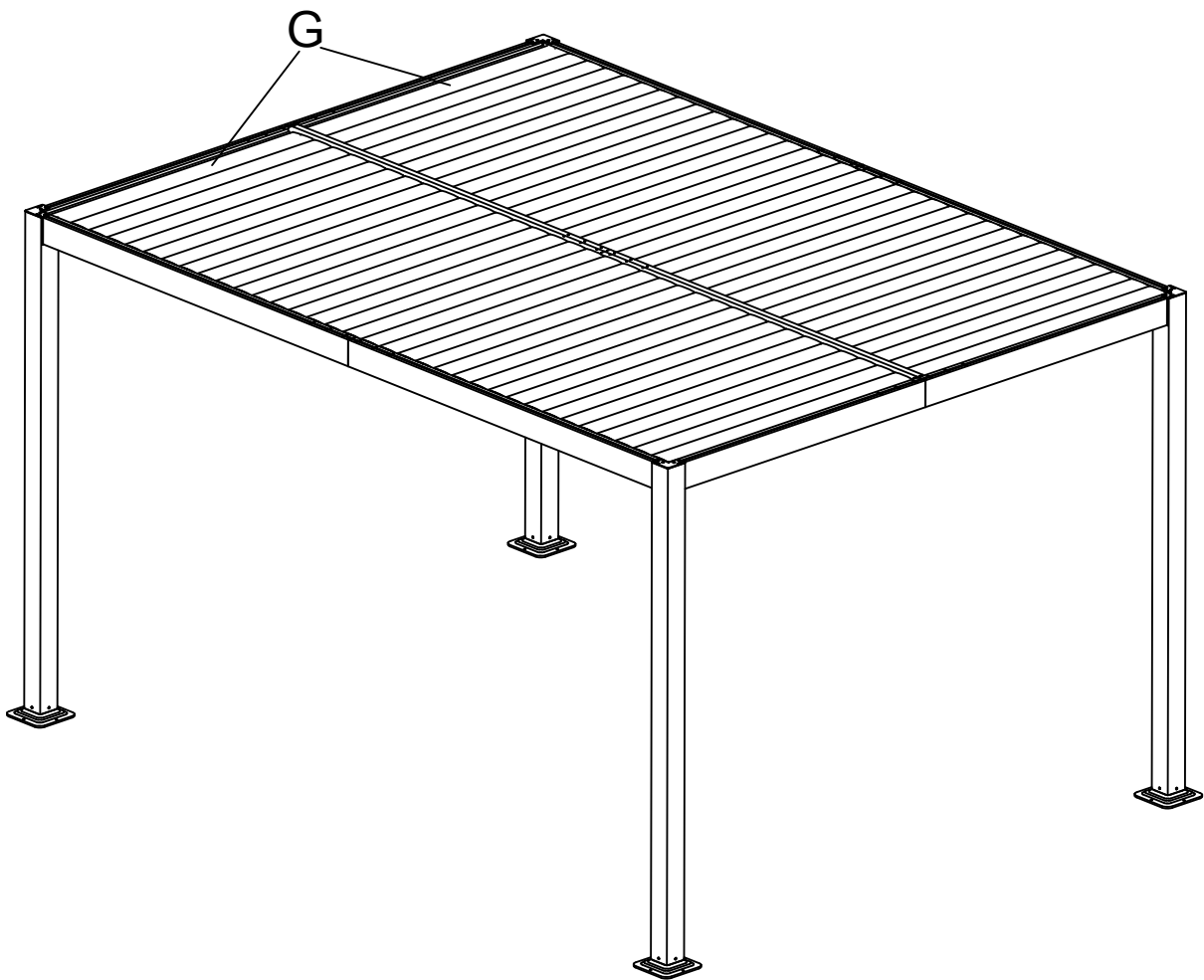
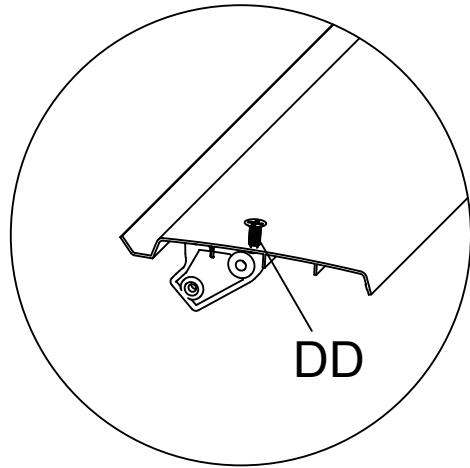
AA	4	 M6*18	BB	8	 M6*15
CC	4	 M6*13	FF	4	 M6


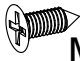
19



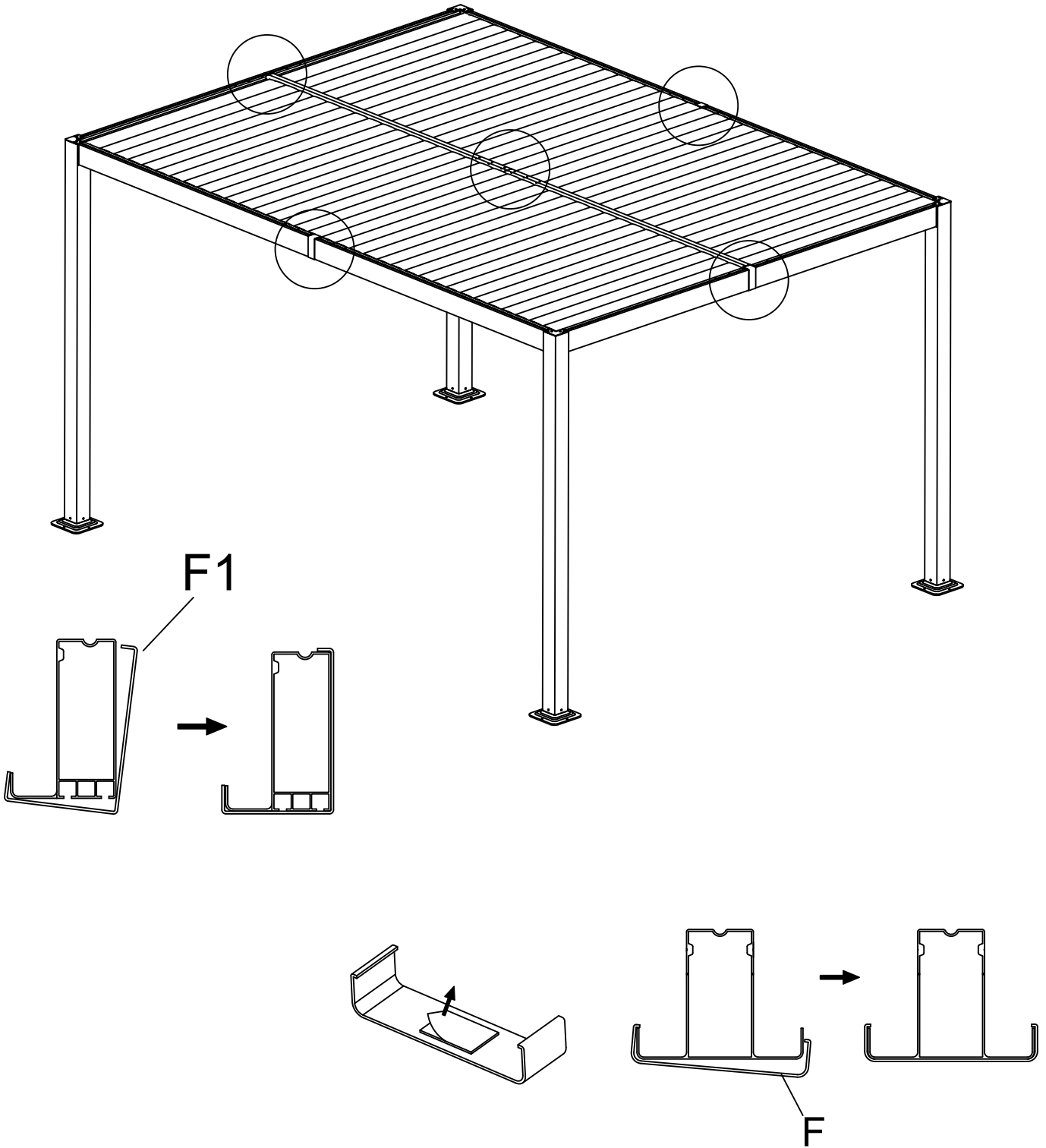
H	66	
---	----	---

20



G	2		DD	4	 M4*12
---	---	---	----	---	---

21



F	1		F1	4	
---	---	--	----	---	--