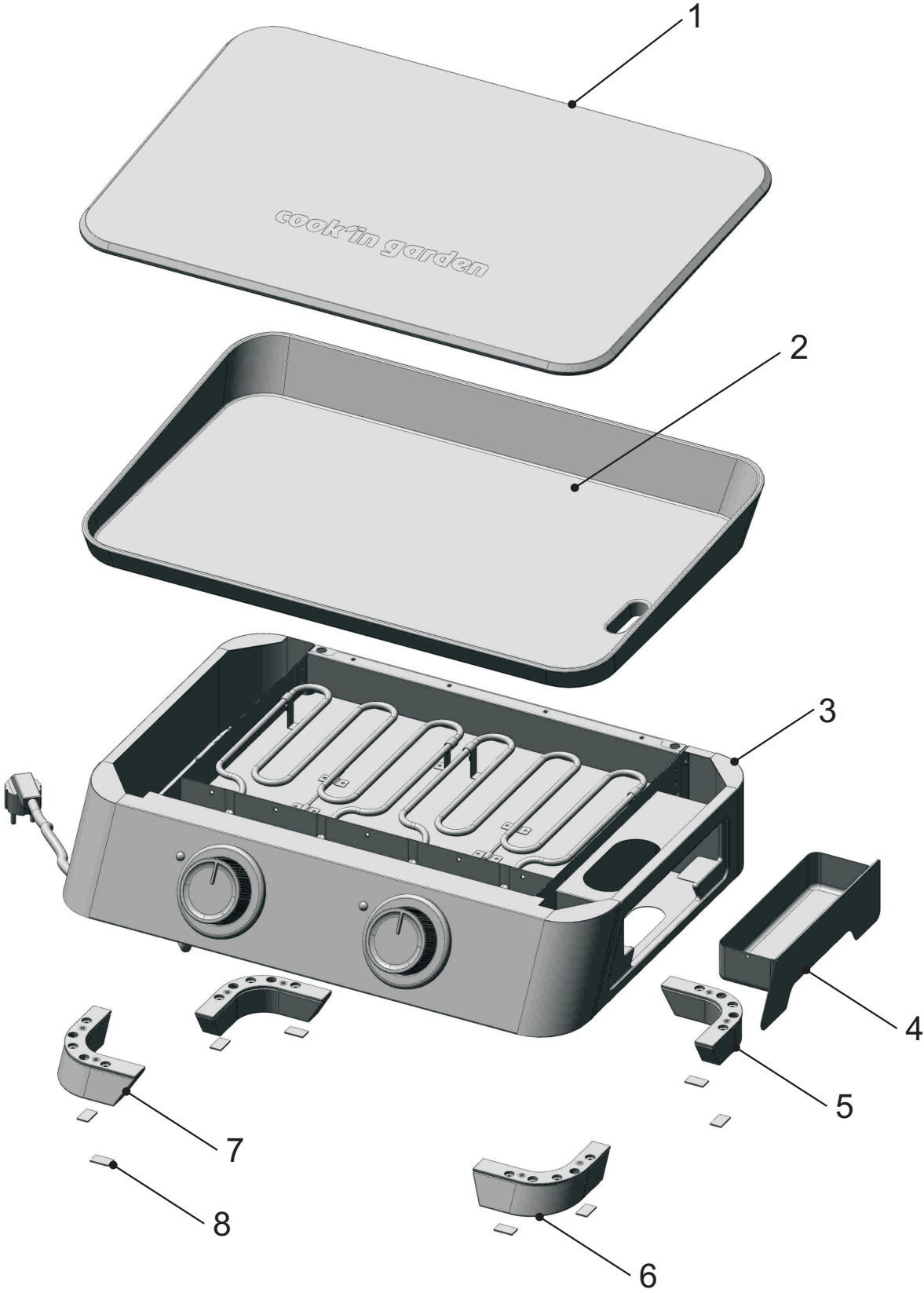





PH2

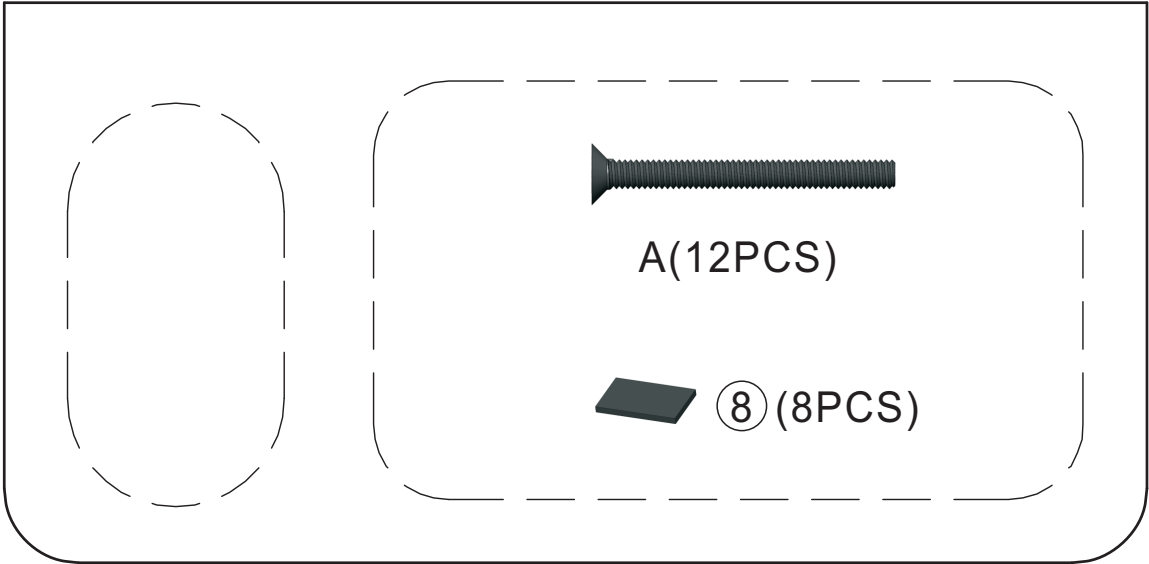




NO.	DESCRIPTION	QTY	NO.	DESCRIPTION	QTY
1		1	5		2
2		1	6		1
3		1	7		1
4		1	8		8

NO.	DESCRIPTION	SPEC	QTY
A		M4x40	12

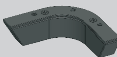
View of blister pack



1



x1



x2



x1

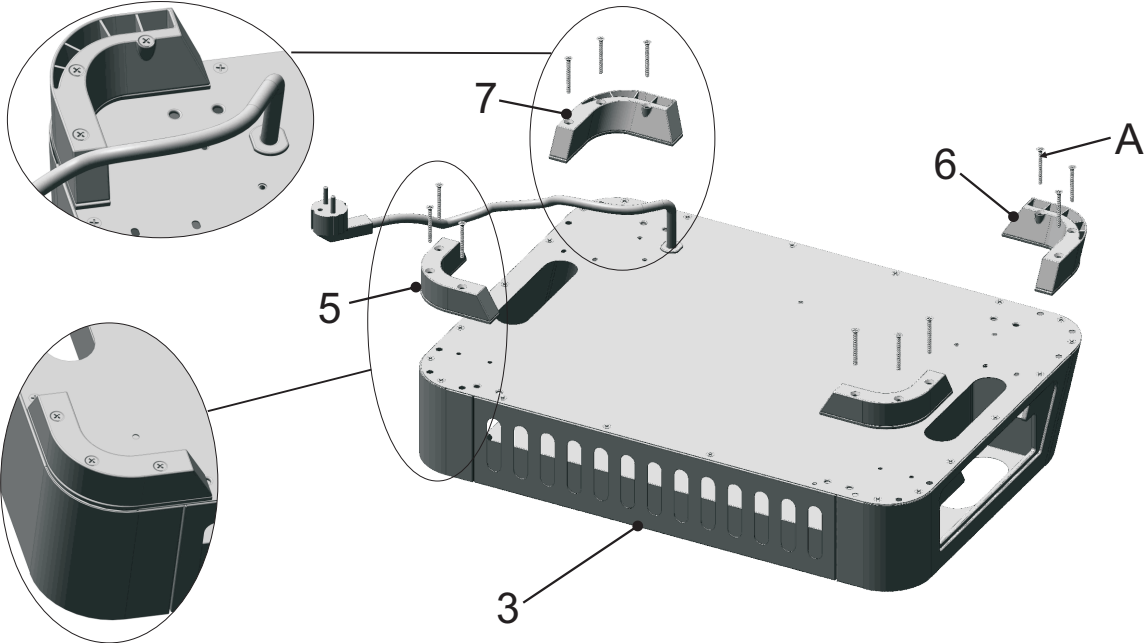


x1



x12

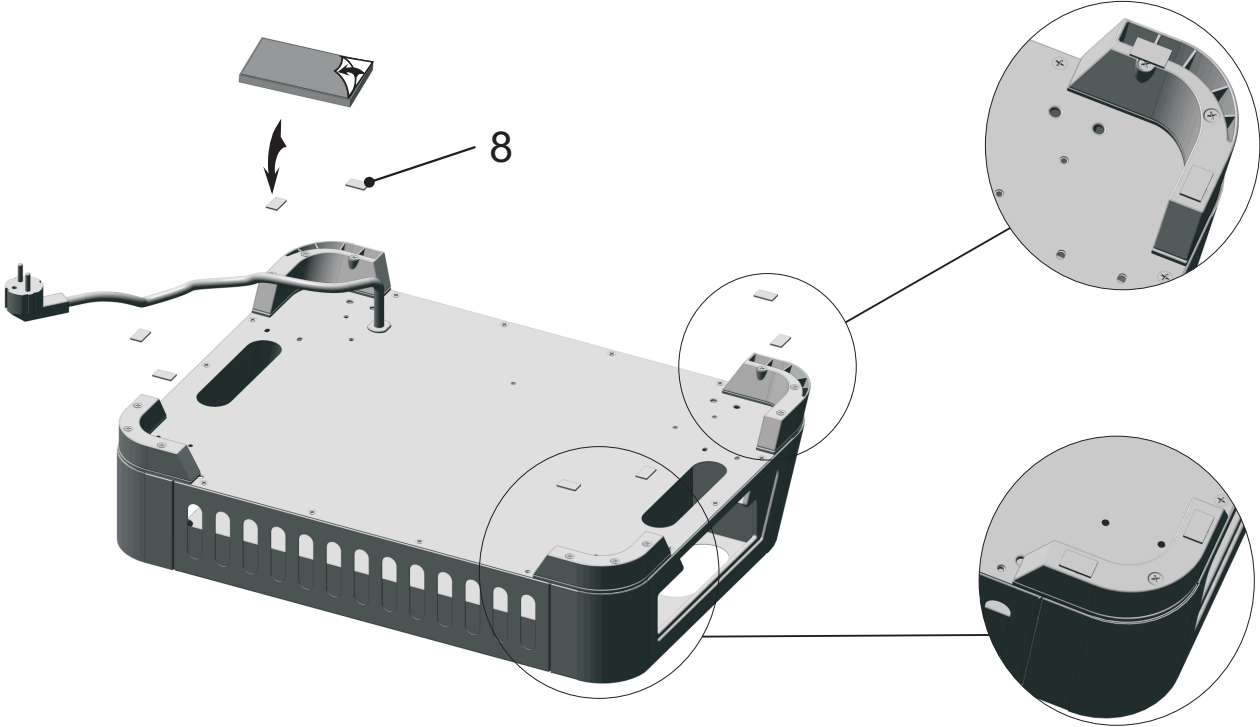
M4x40



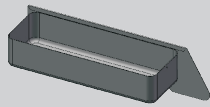
2



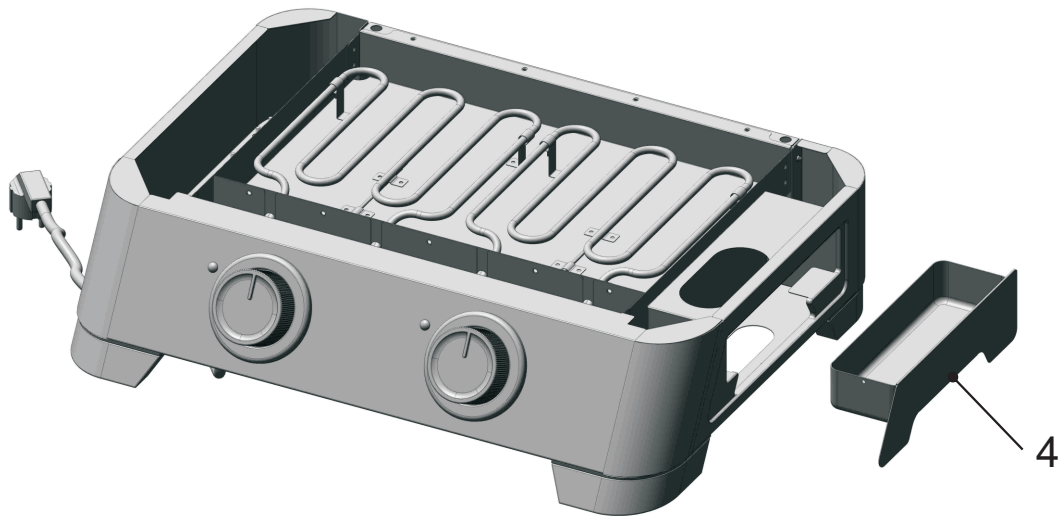
x8



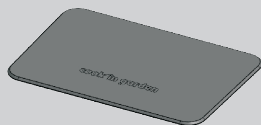
3



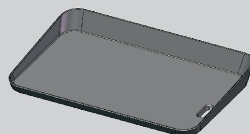
x1



4



x1



x1

