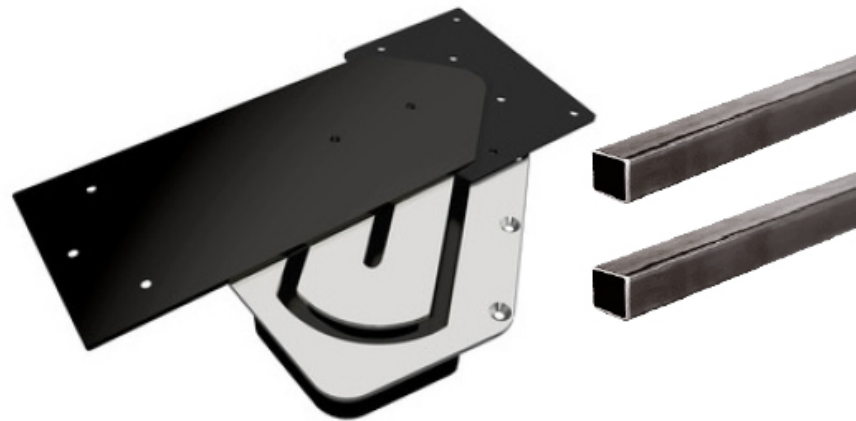




Float & Swivel

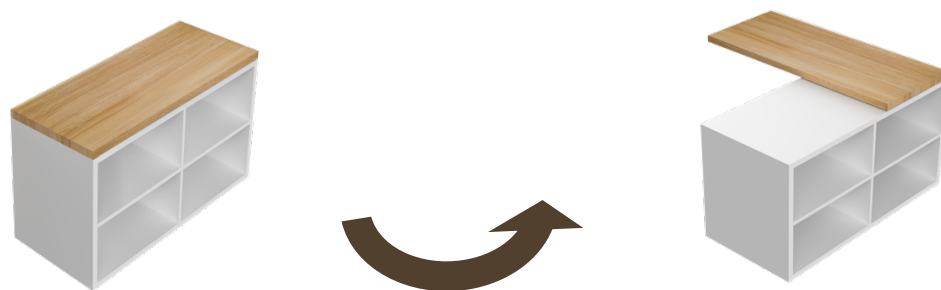
Installation instruction for *left opening*

Article FS6070



Float & Swivel can be installed in two ways, left or right opening: your desk either opens to the left or right. Please choose your preferred installation option for left or right accordingly before continuing.

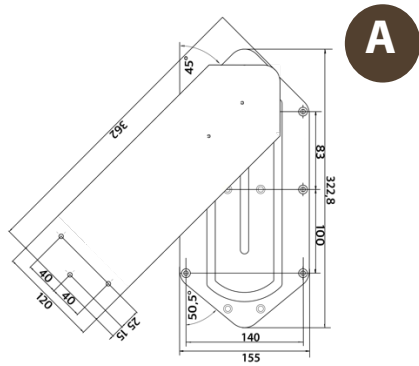
This manual **covers installation for left opening** only.



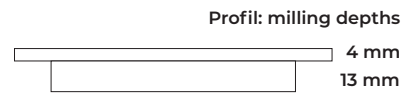
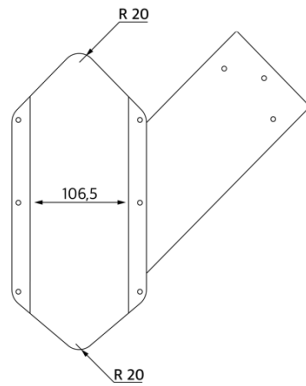
For the application right opening please use the adequate installation manual for left opening.

A) Included Parts and Technical Details

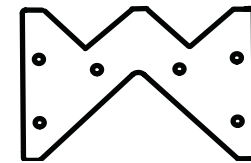
1x ST4070 rotation mechanism



A

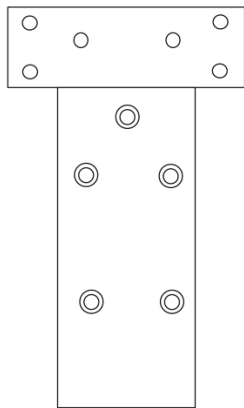


1x locking plate



B

1x wood piece



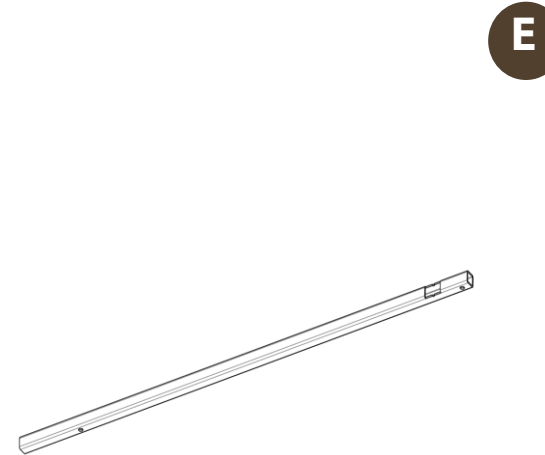
C

1x Metal bar 950 mm



D

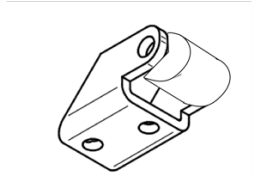
1x metal bar 1150mm



E

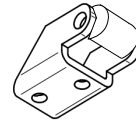
1x metal bracket with large roll (white)

F



1x metal bracket with thin roll (black)

G



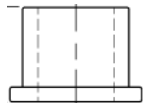
2x threaded felt glider with screw nut

H



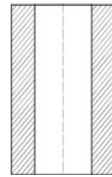
2x plastic sleeve

I



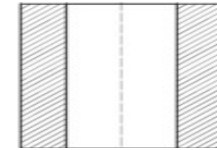
2x plastic spacer D12x 20

J



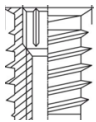
1x plastic spacer D16x 9

K



3x threaded insert M6x 12

L



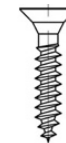
7x wood screws 5x 30 mm

M



15x wood screws 5x 20 mm

N

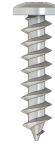


1x threaded shoulder bolt screw



O

6x wood screws 5 x 20



P

Technical Details

Applicable desk of desk or furniture (d):

600, 650 and 700 mm

Length of upper board (l):

1500 – 1600 mm

Minimum board thickness:

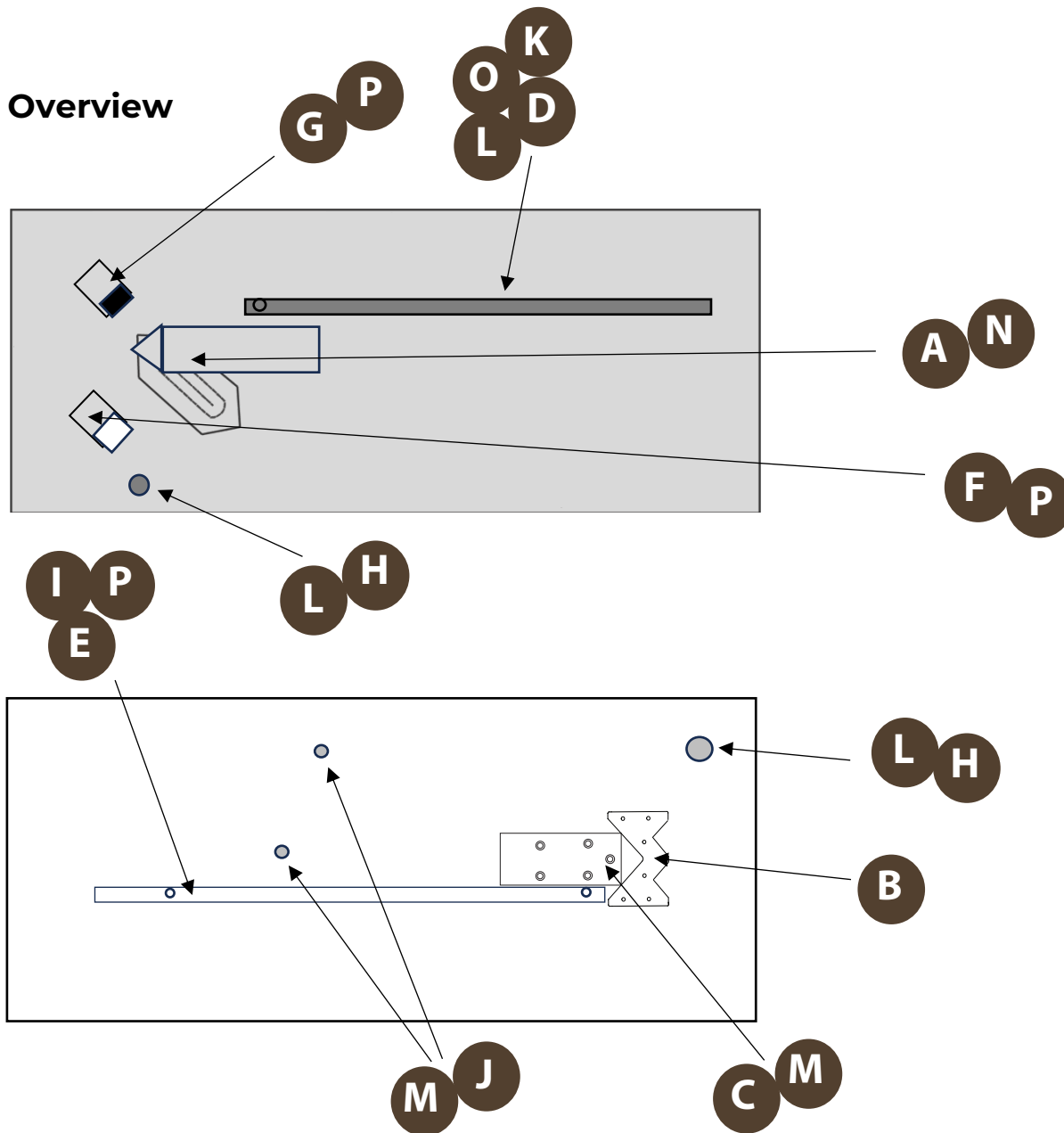
25 mm

Loading weight (open):

maximum 40 kg – do not exceed

Gap between upper board and furniture top surface: 25 mm (can be covered by a cover strip or similar of 5 mm thickness)

Overview

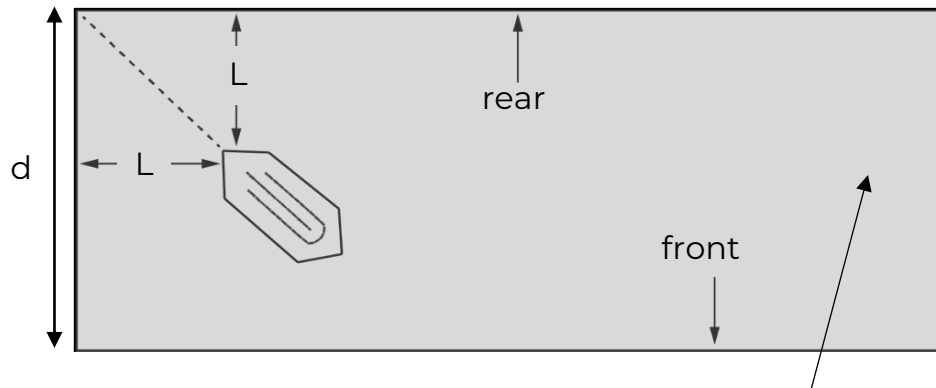


**Top of furniture base
Steps 1 - 5**

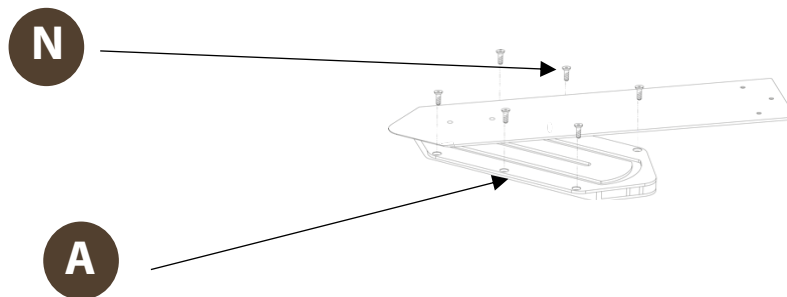
**Lower surface of
upper rotation board
Steps 6 - 10**

B) Installation Steps (*Right Installation*)

Step 1



Top of furniture base



All measurements in mm

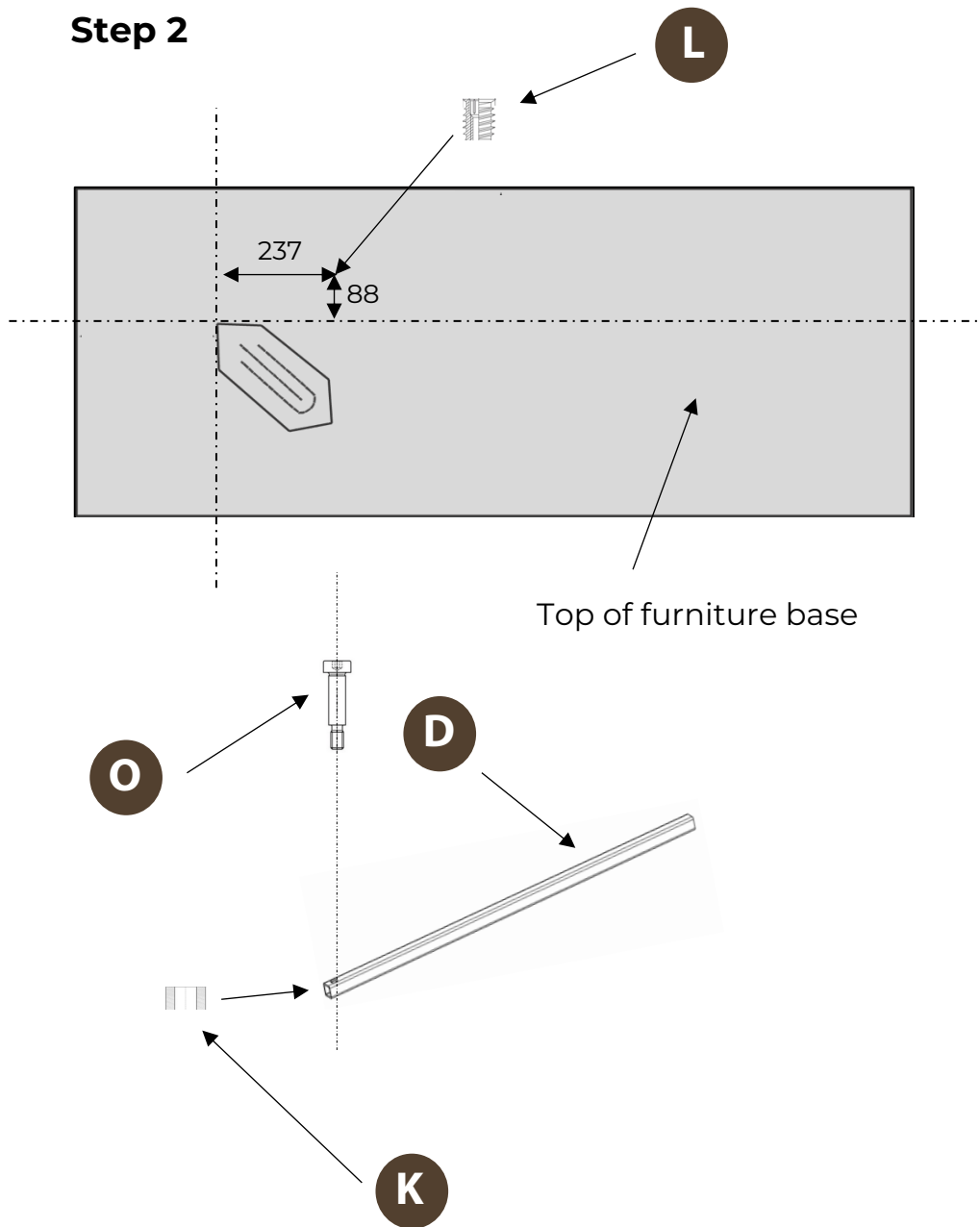
Mill the complete shape for the mechanism into the top board of your furniture base, using the milling depth as given in A) *Parts and Technical Details* or use 2D/3D files available.

| | | | |
|---------------|-------|-----|-----|
| Board depth d | 600 | 650 | 700 |
| L | 283.5 | 309 | 334 |

Insert the mechanism into the milled shape and make sure the metal surface is exactly aligned with your upper furniture surface.

Fix all screws, in order to reach all screw holes, move the upper moving plate of the mechanism back and

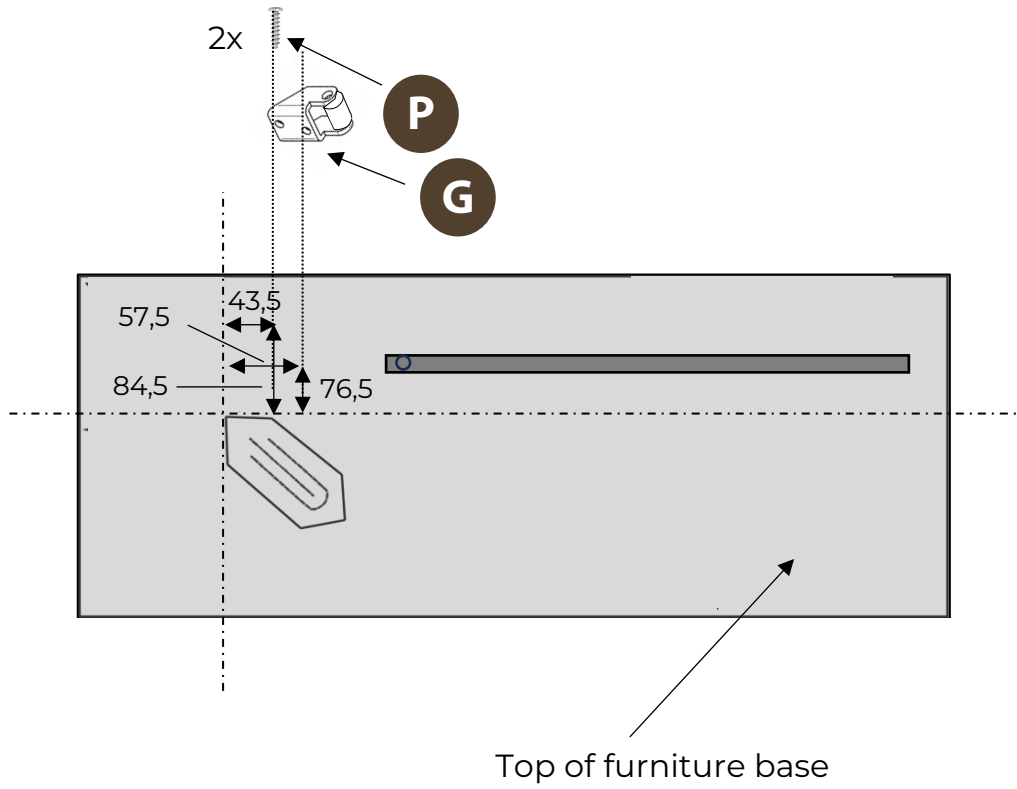
Step 2



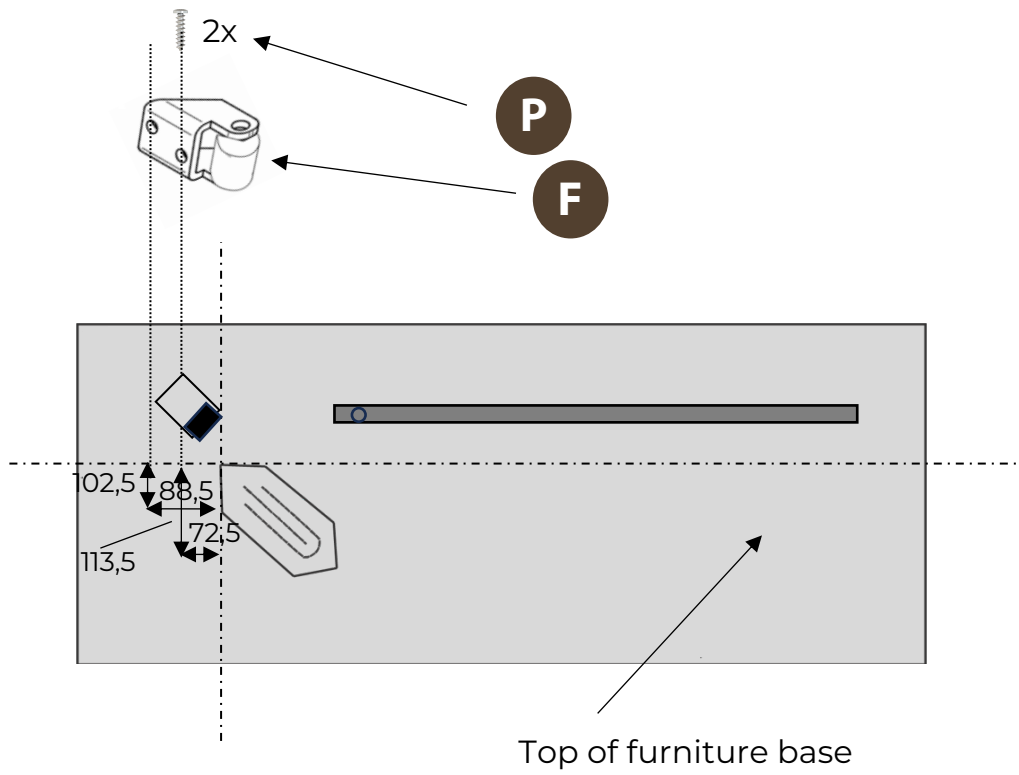
Drill a hole $d=10.5 \times 12$ and insert the threaded wood insert.

Put the metal beam with the larger hole upwards above the the threaded insert and place the plastic spacer inside the beam. Put the threaded shoulder bolt screw from the top through the larger hole of the beam and through the hole of the plastic spacer. Screw tiht into threaded insert with the beam still being rotatable.

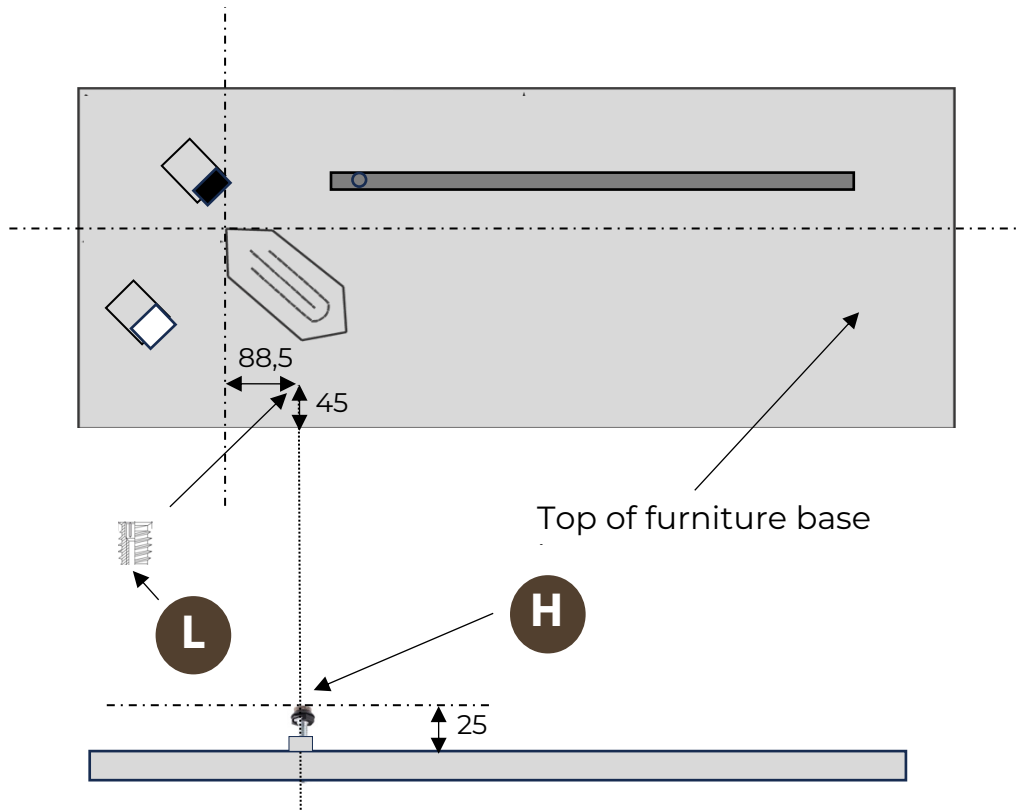
Step 3



Step 4



Step 5



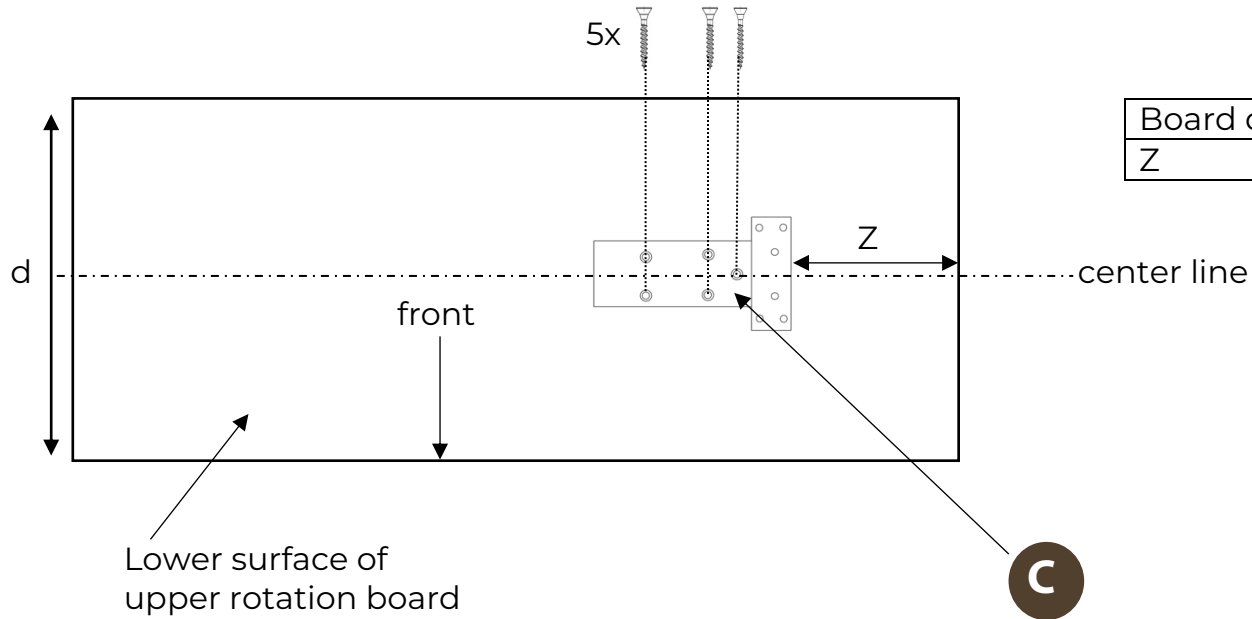
Drill a hole $d= 10.5 \times 12$ and insert the threaded wood insert.

Screw the nut onto the threaded shaft of the felt glider.

Screw the felt glider with nut into the threaded wood insert until the felt glider is 25mm above the surface. Tighten the screw nut to stabilise the felt glider.

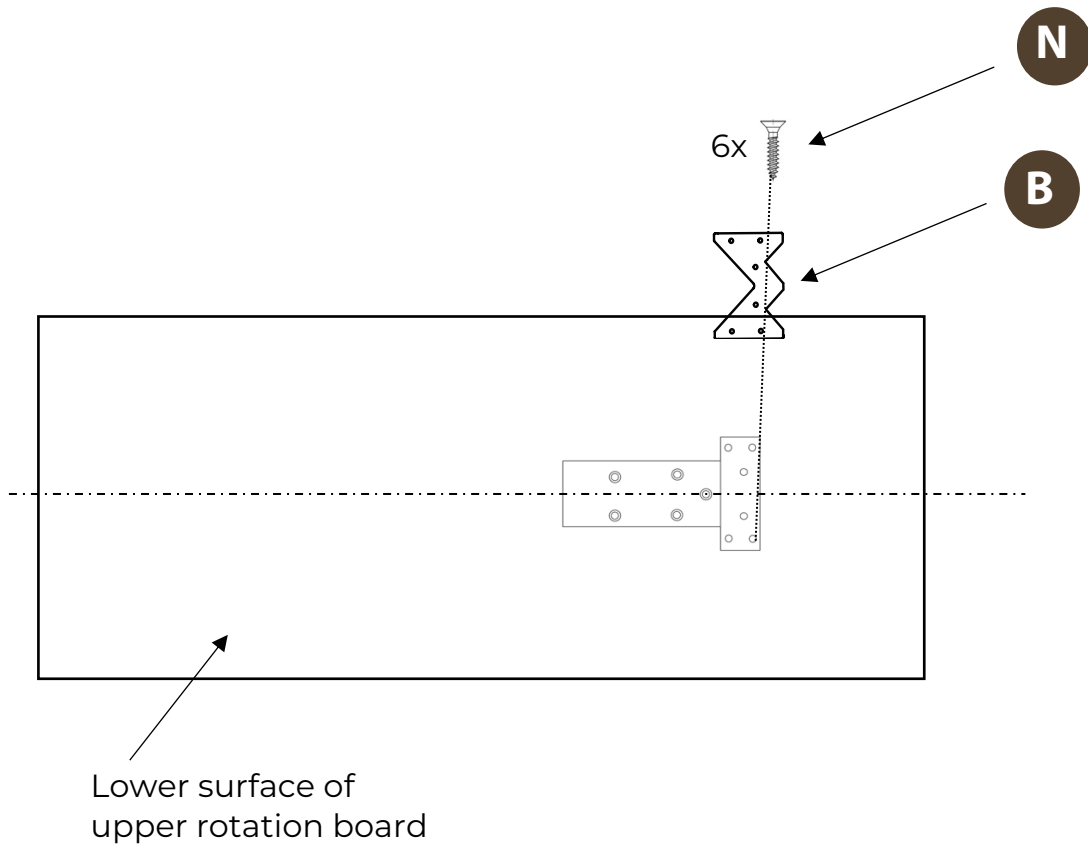
Step 6

M

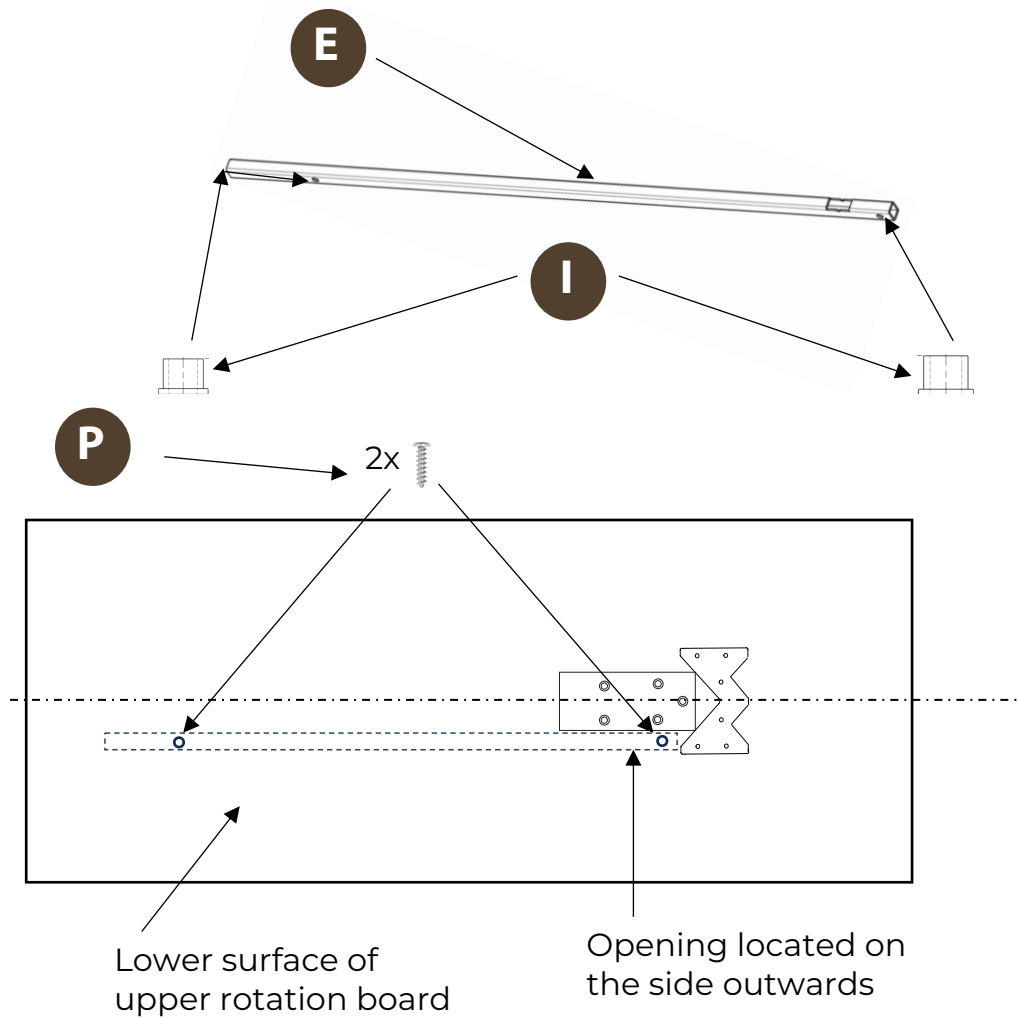


| | | | |
|---------------|-----|-----|-----|
| Board depth d | 600 | 650 | 700 |
| Z | 237 | 262 | 287 |

Step 7

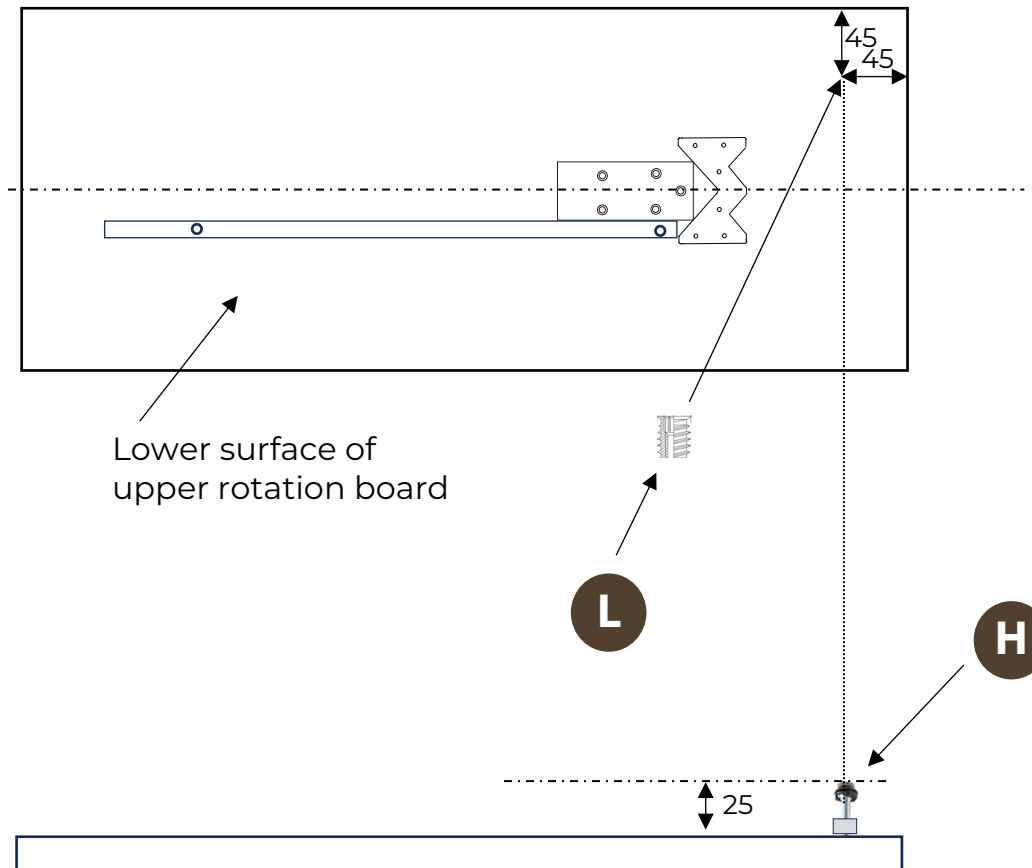


Step 8



Insert the sleeves
from each side and fix
in the hole.

Step 9

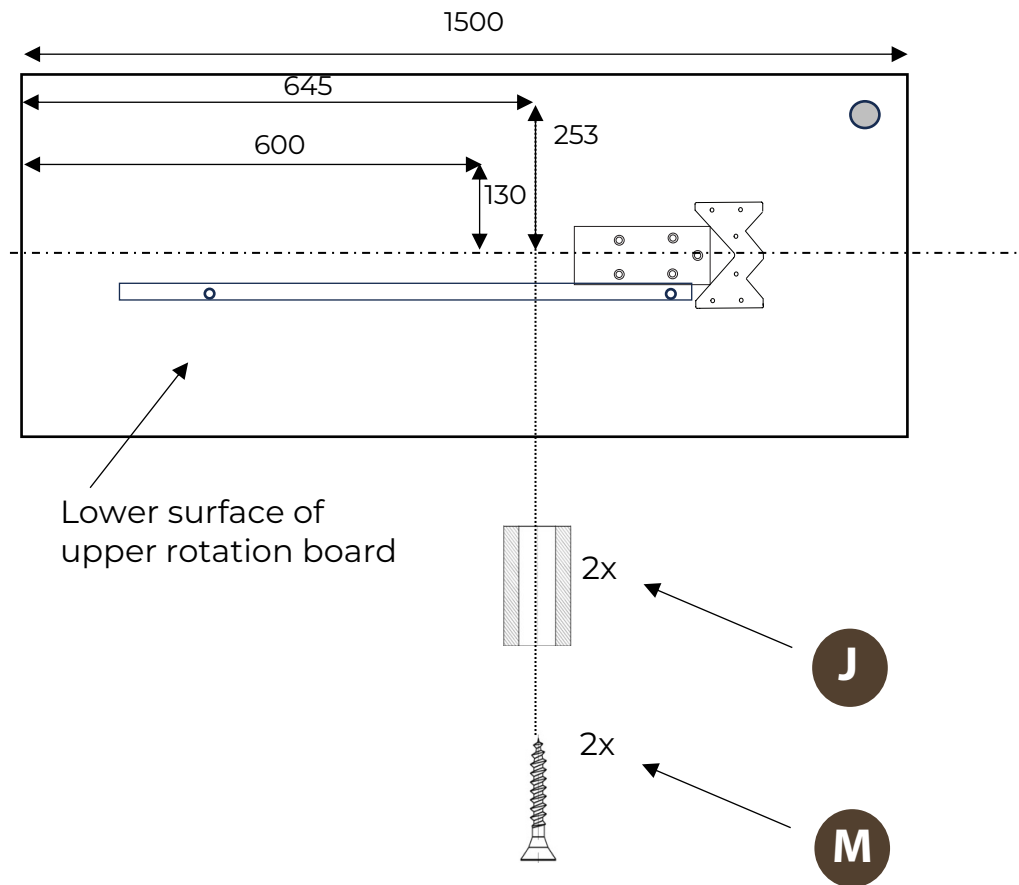


Drill a hole $d=10.5 \times 12$ and insert the threaded wood insert.

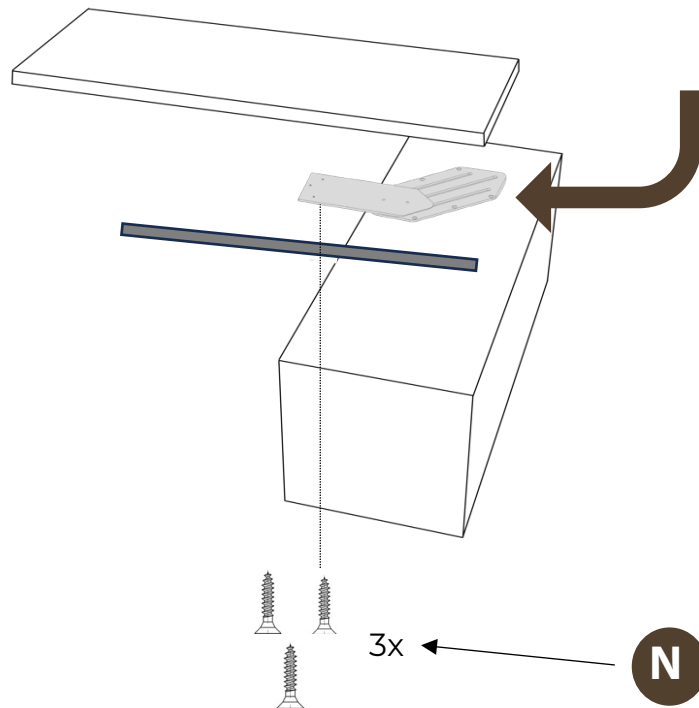
Screw the nut onto the threaded shaft of the felt glide.

Screw the felt glider with nut into the threaded wood insert until the felt glider is 25mm above the surface. Tighten the screw nut to stabilise the felt glider.

Step 10



Step 11



Move the moveable plate of the ST4070 mechanism in orthogonal position as shown and also rotate the metal bar (D) outwards.

Take the upper board and lift it above the furniture base. Make sure the metal bar sits between the two plastic pins.

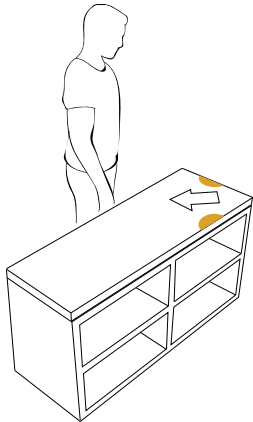
Hook the v-shape of the locking plate (B) into the v-shape of the moveable plate of the mechanism. One aligned fix the three screws.

The desk is now ready for operation.

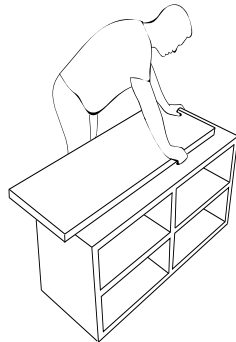
C) Float & Swivel Swivel Operation

Open

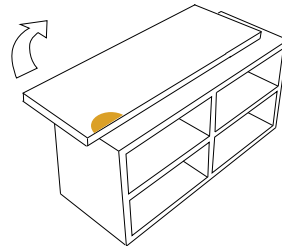
1



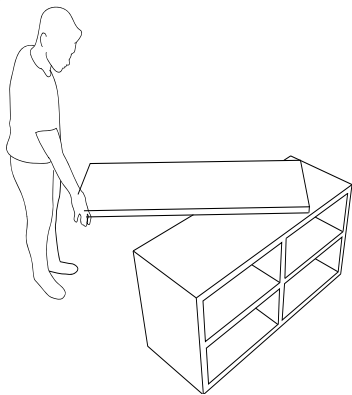
2



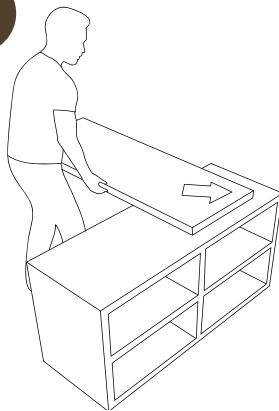
3



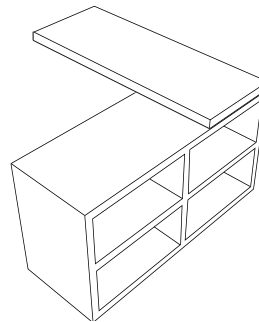
4



5

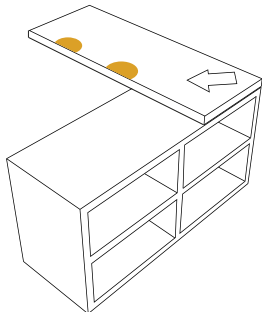


6

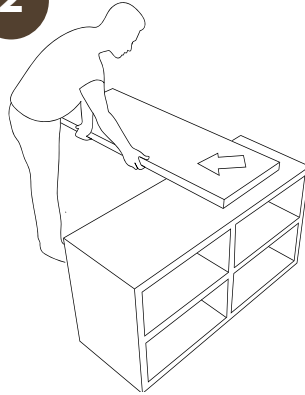


Close

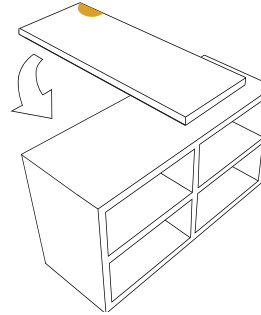
1



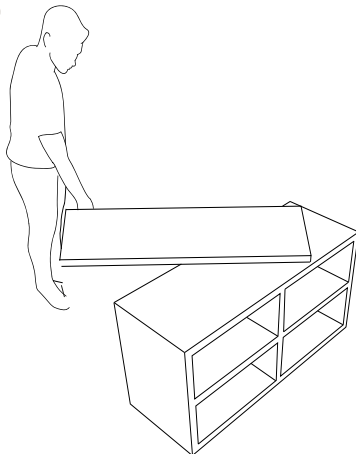
2



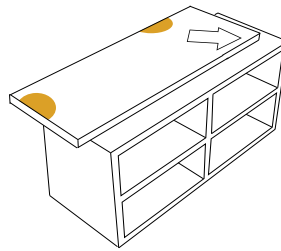
3



4



5



6

