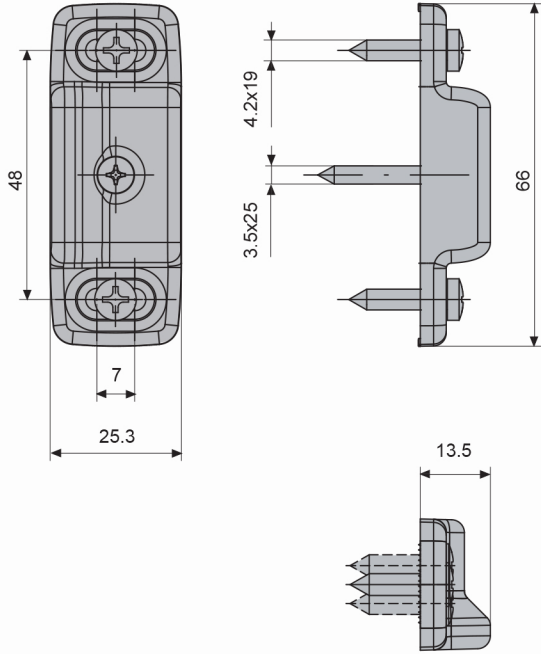


8504FA



8504FA		10

