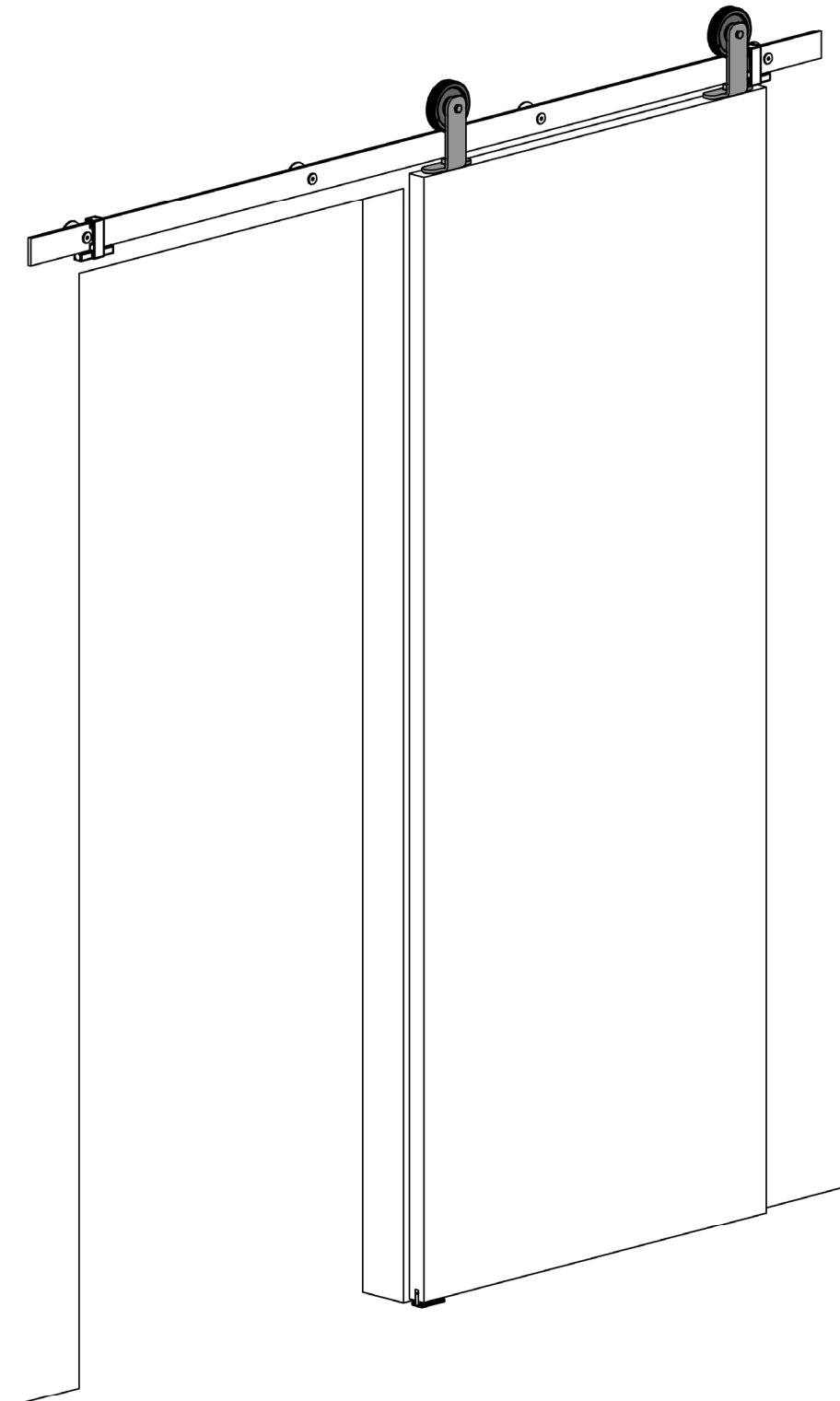
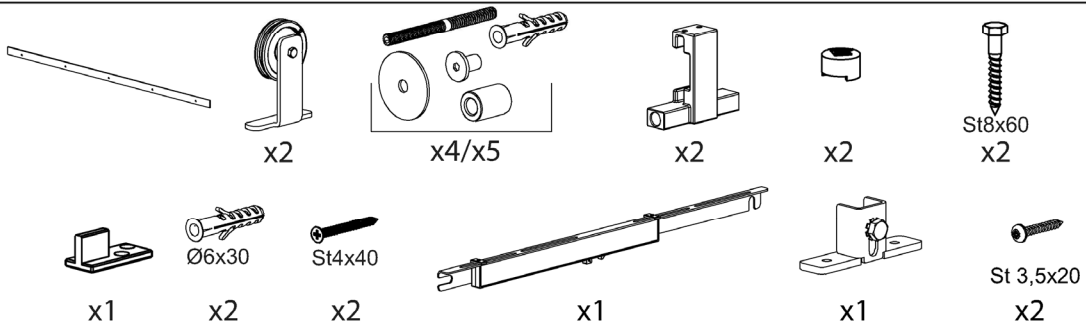




INSTRUCTION DE MONTAGE
MONTAGEANLEITUNG
INSTRUCTIONS FOR ASSEMBLY
INSTRUCCIONES DE MONTAJE

ROC DESIGN RD-E-B / RD-E-C

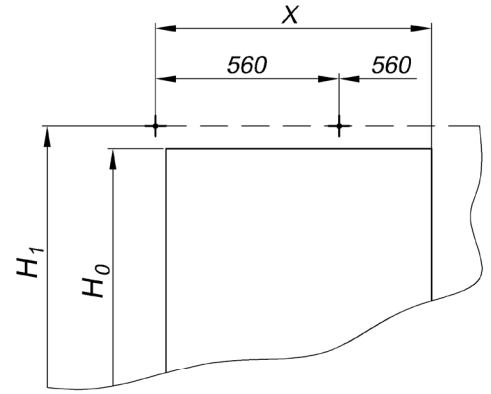
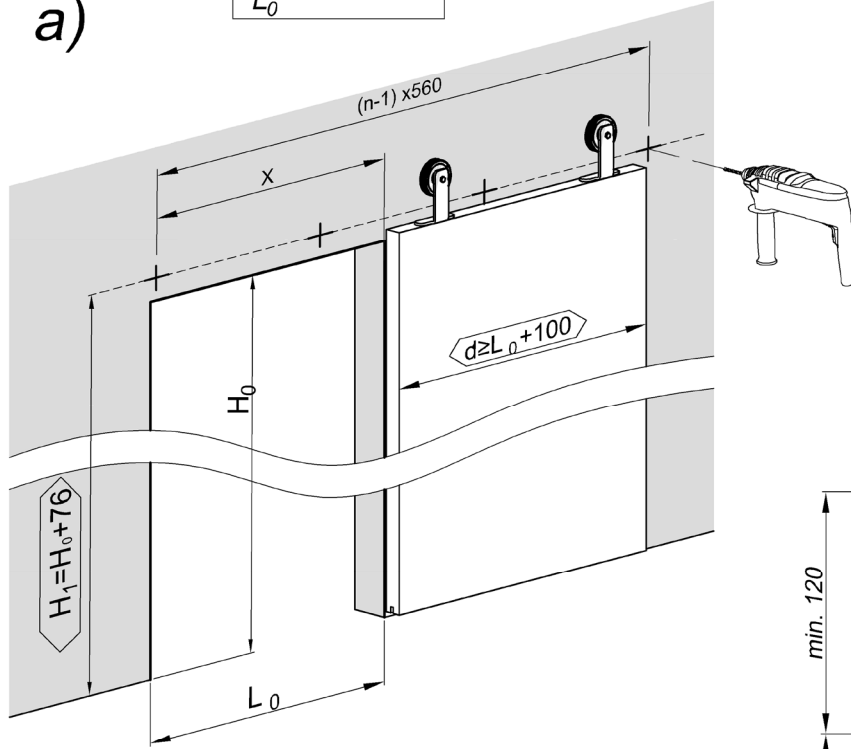




1

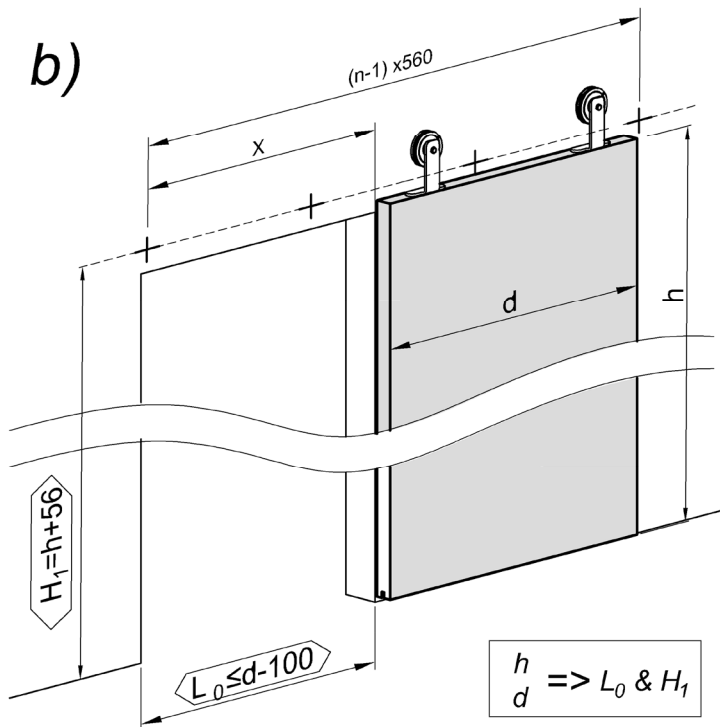
$$\begin{matrix} H_0 \\ L_0 \end{matrix} \Rightarrow d \ \& \ H_1$$

a)

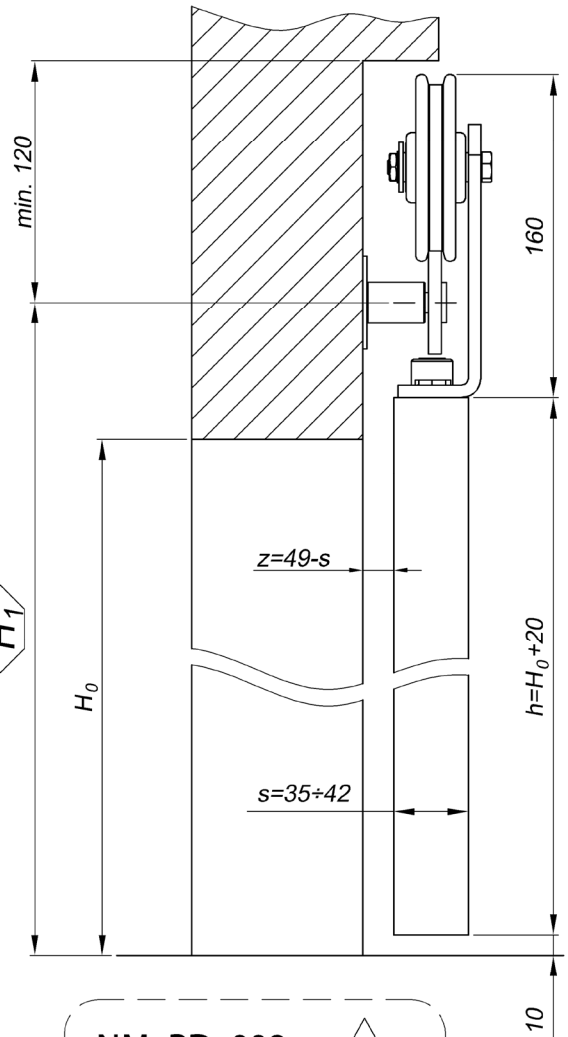


L_{Track} [mm]	1950	2400	3000
X [mm]	840	1120	1400
n [szt]	4	5	6

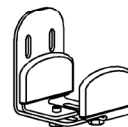
b)



H_1



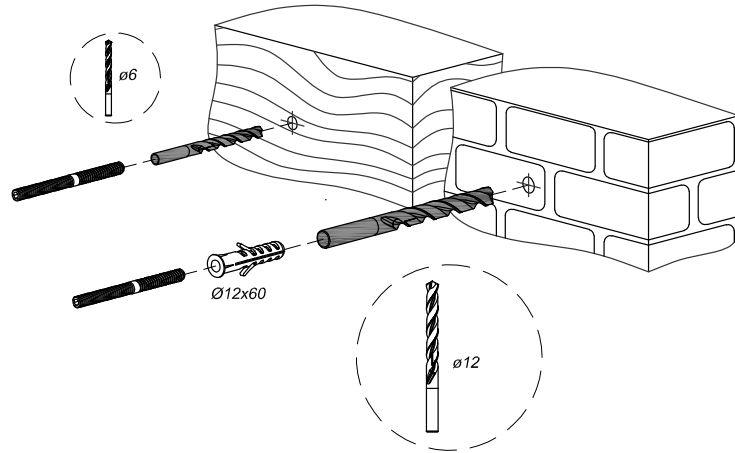
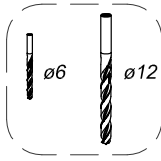
NM_RD_008



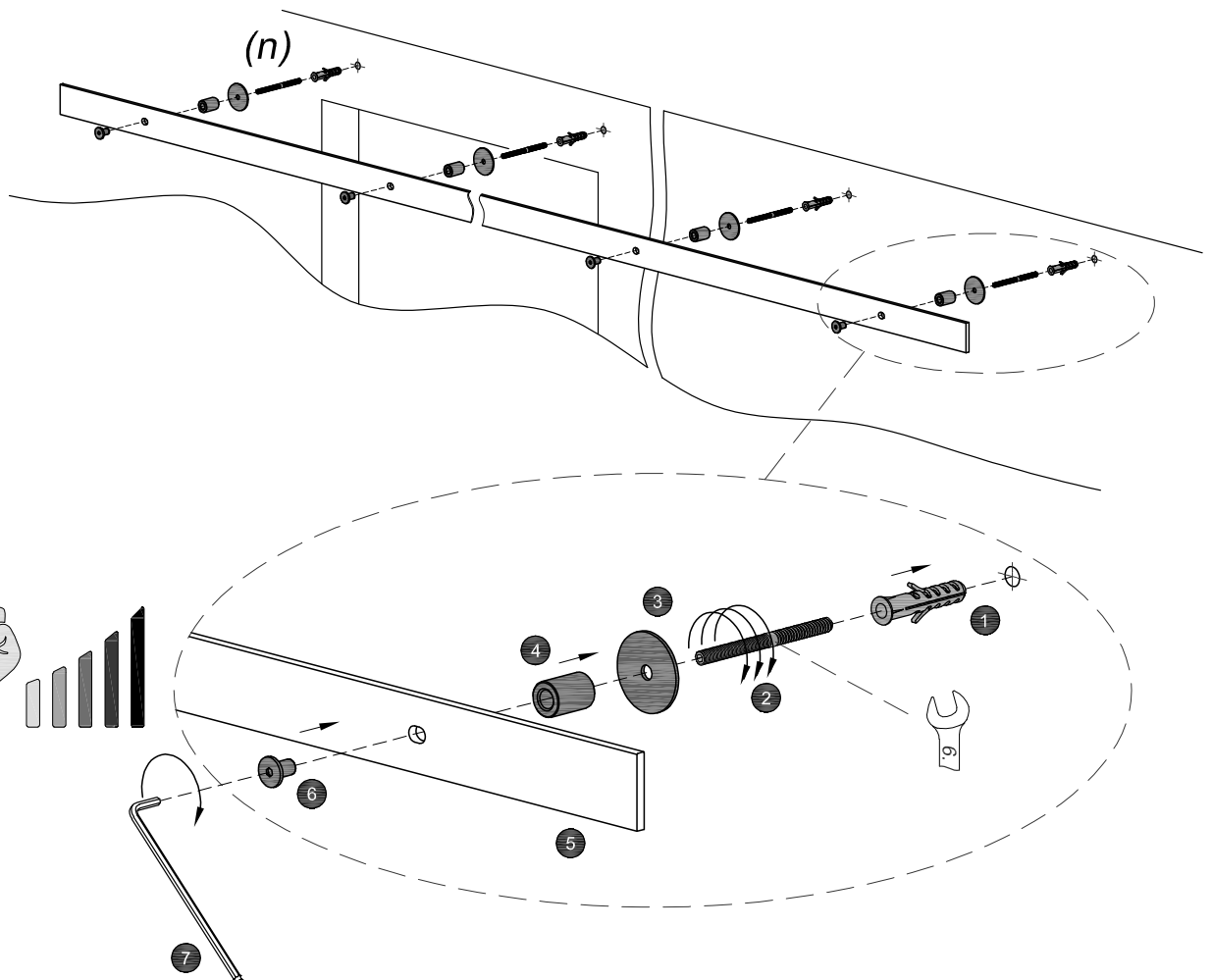
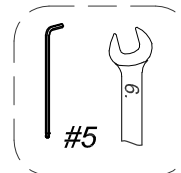
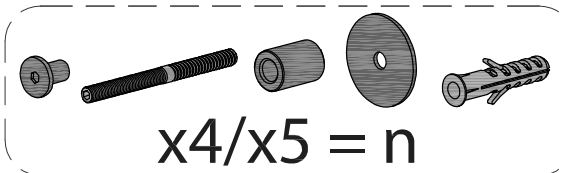
$$\begin{matrix} H_1 = H_0 + 81 \\ H_1 = h + 61 \end{matrix}$$



2

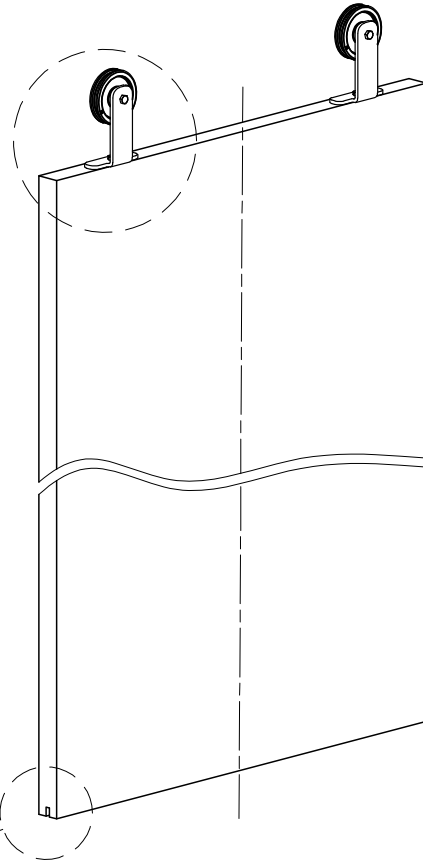
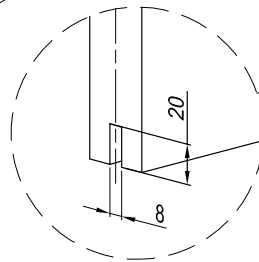
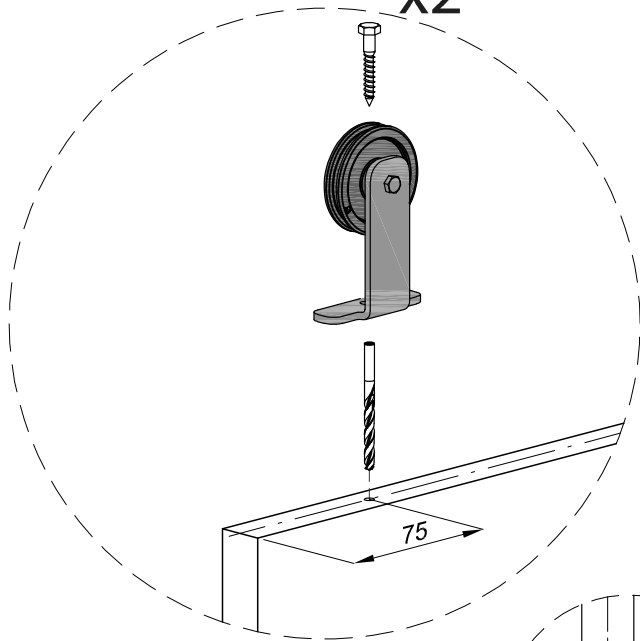
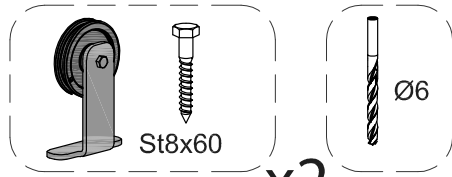


3

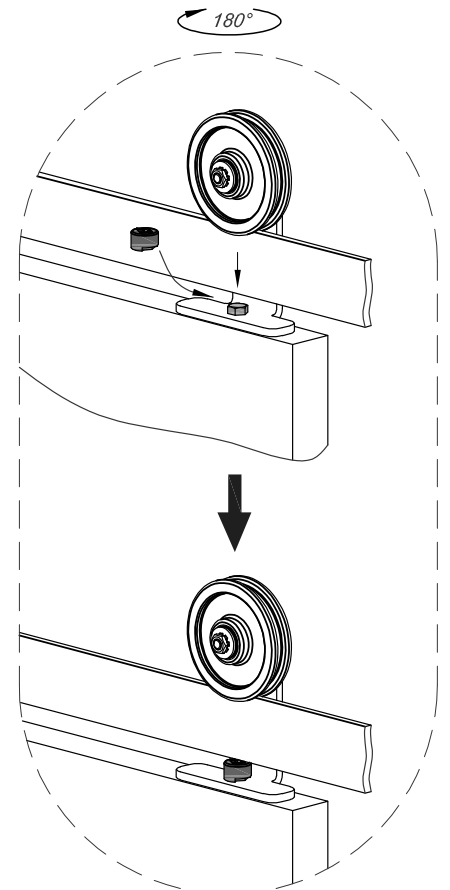
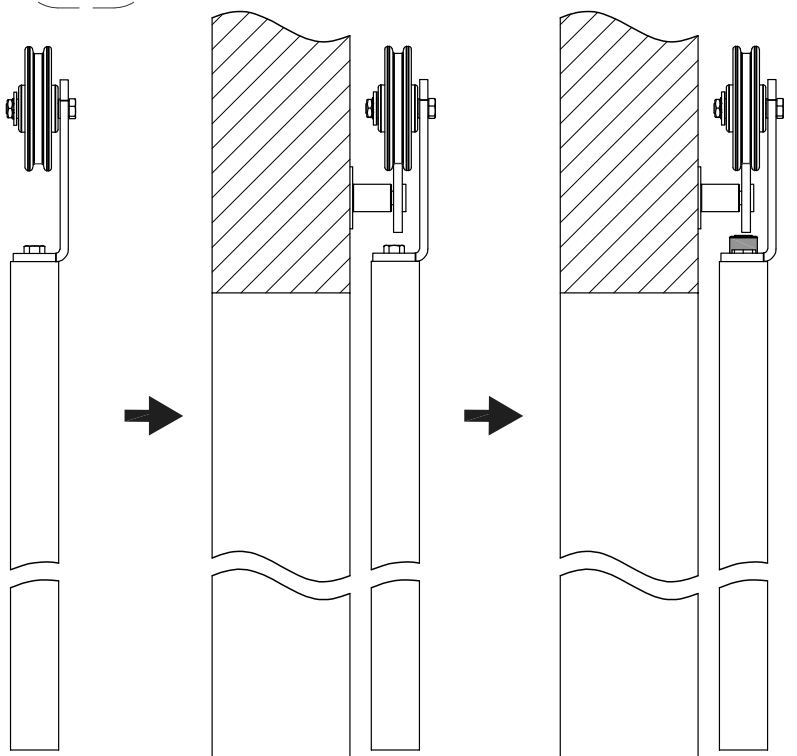




4



5

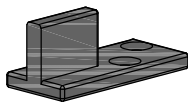




INSTRUCTION DE MONTAGE
MONTAGEANLEITUNG
INSTRUCTIONS FOR ASSEMBLY
INSTRUCCIONES DE MONTAJE

ROC DESIGN RD-E-B / RD-E-C

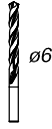
6



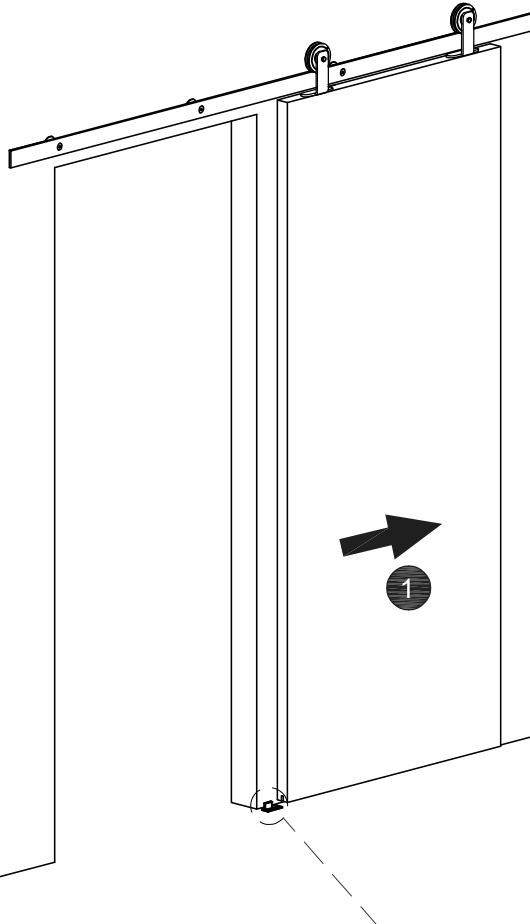
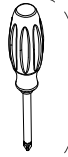
2xSt4x40



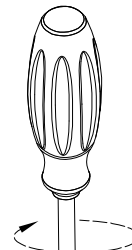
2xØ6x30



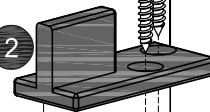
Ø6



1



2

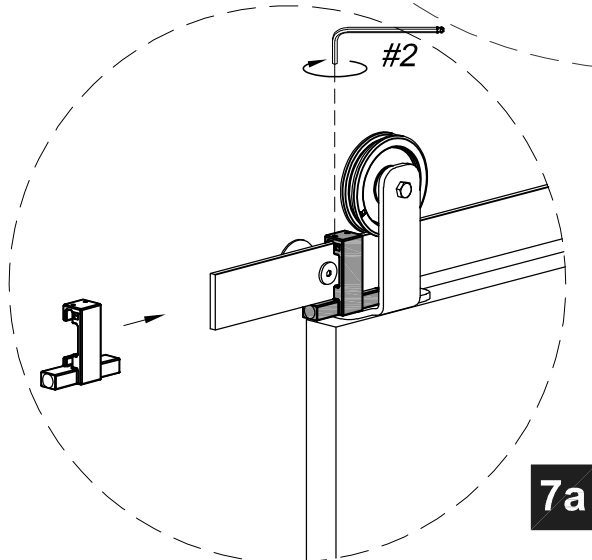
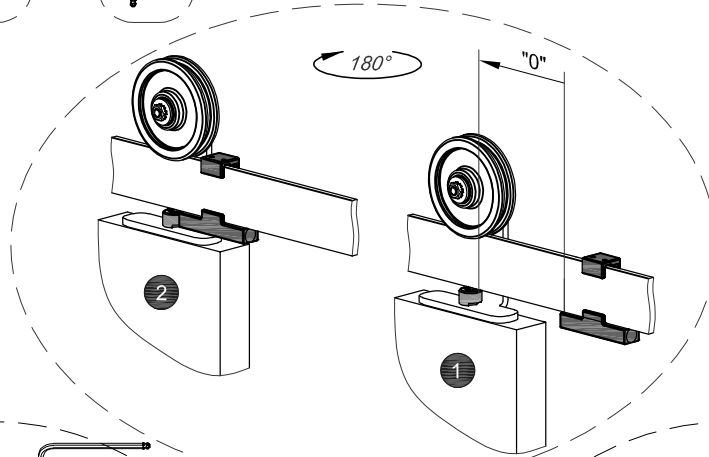
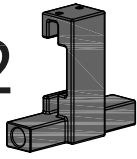


3

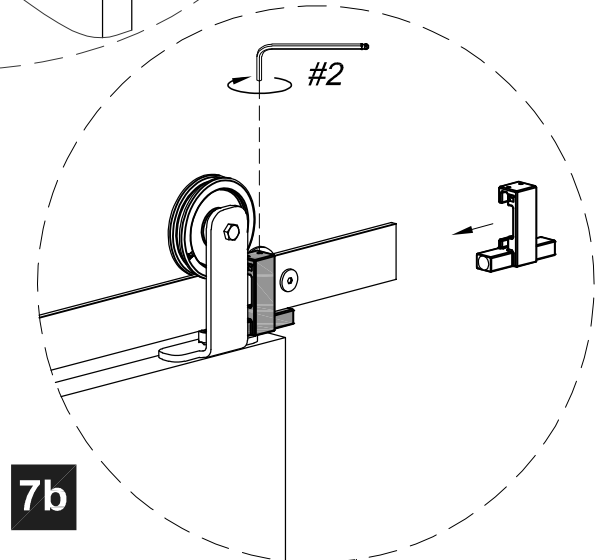


7

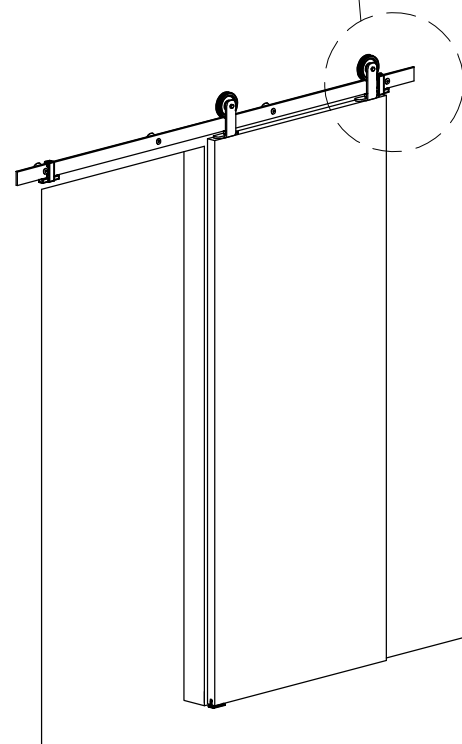
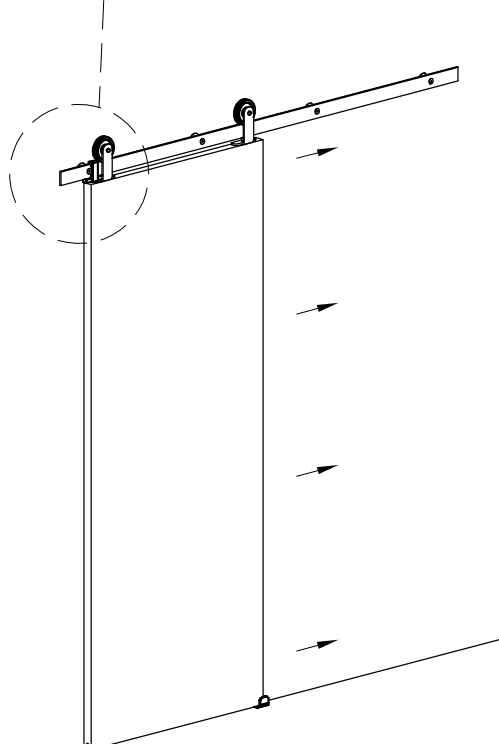
x2

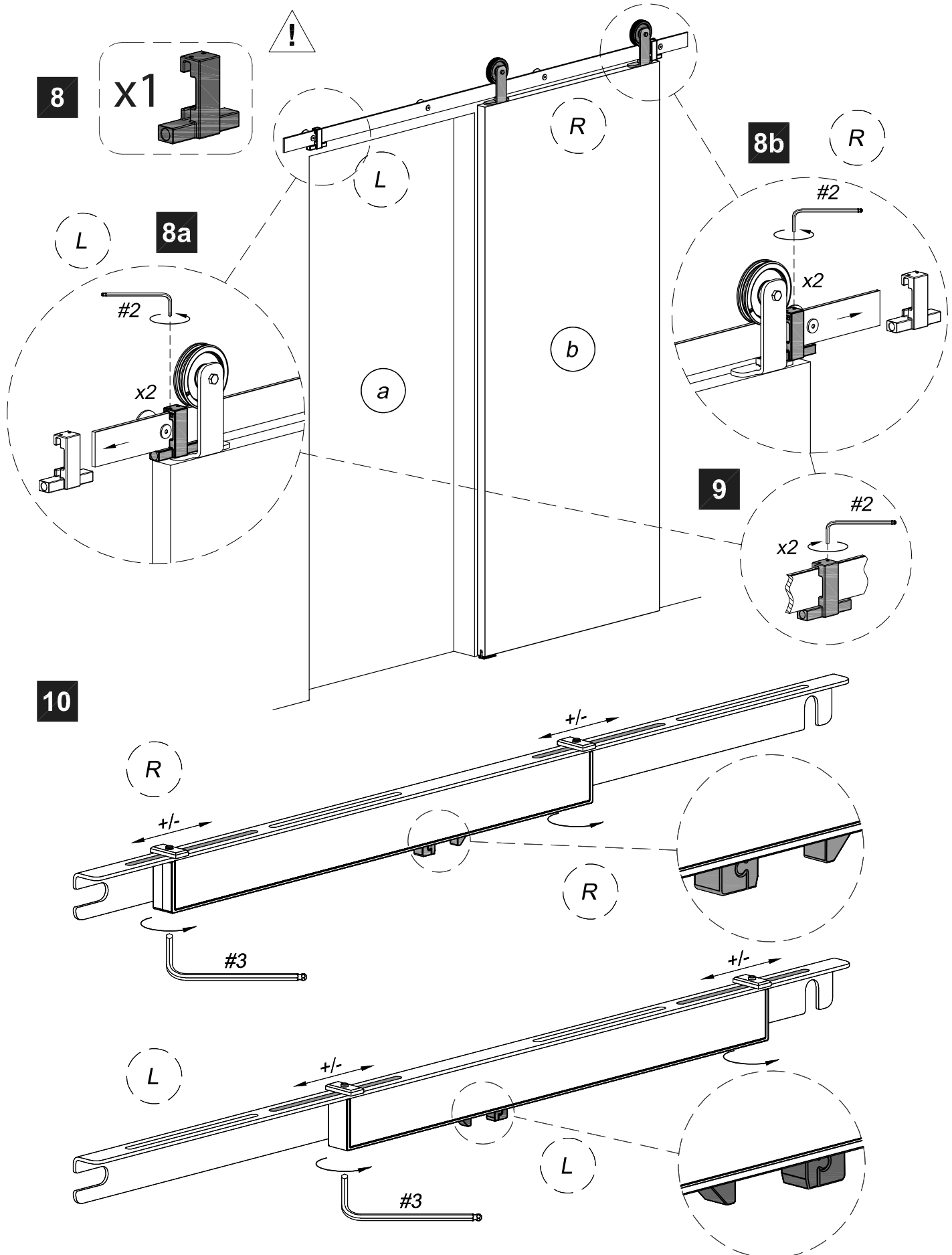


7a



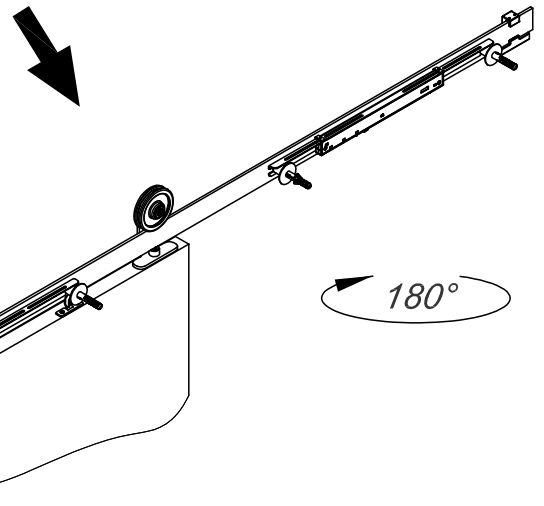
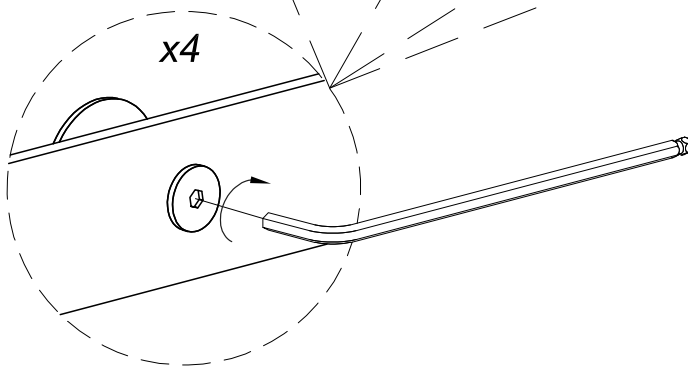
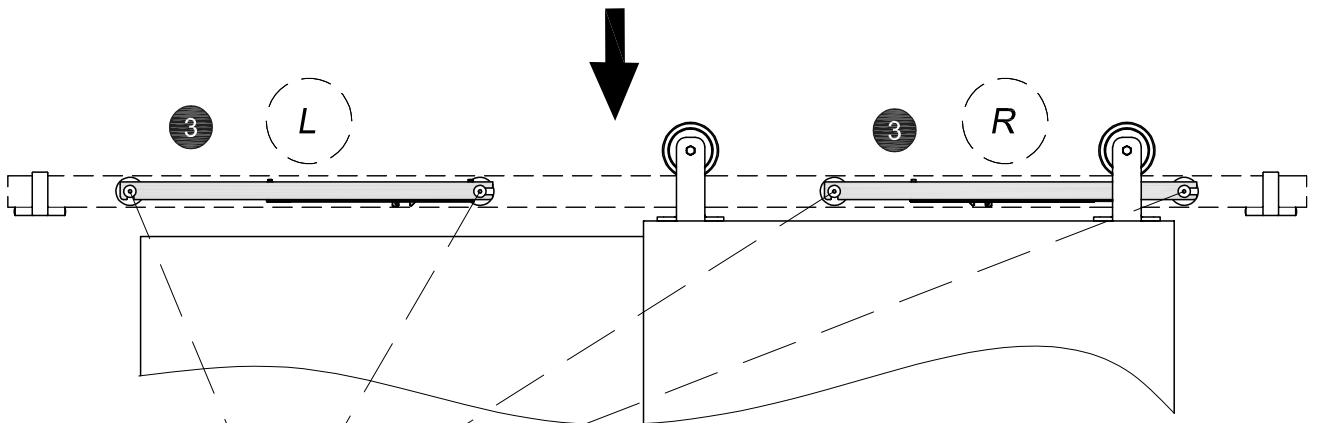
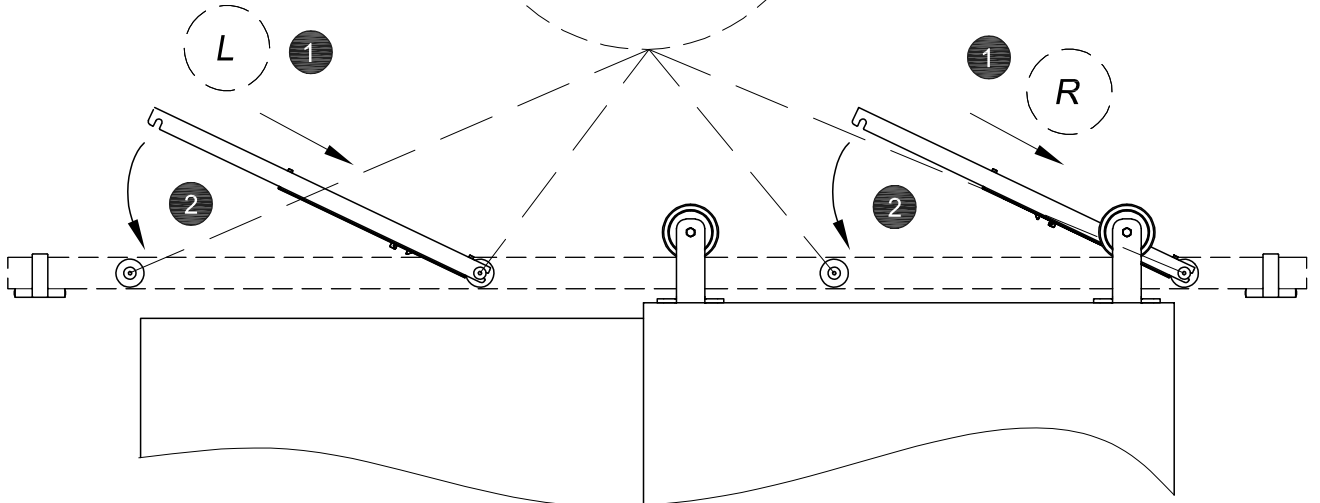
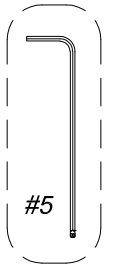
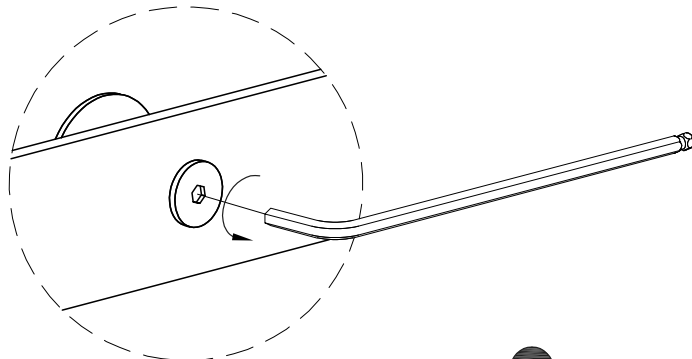
7b





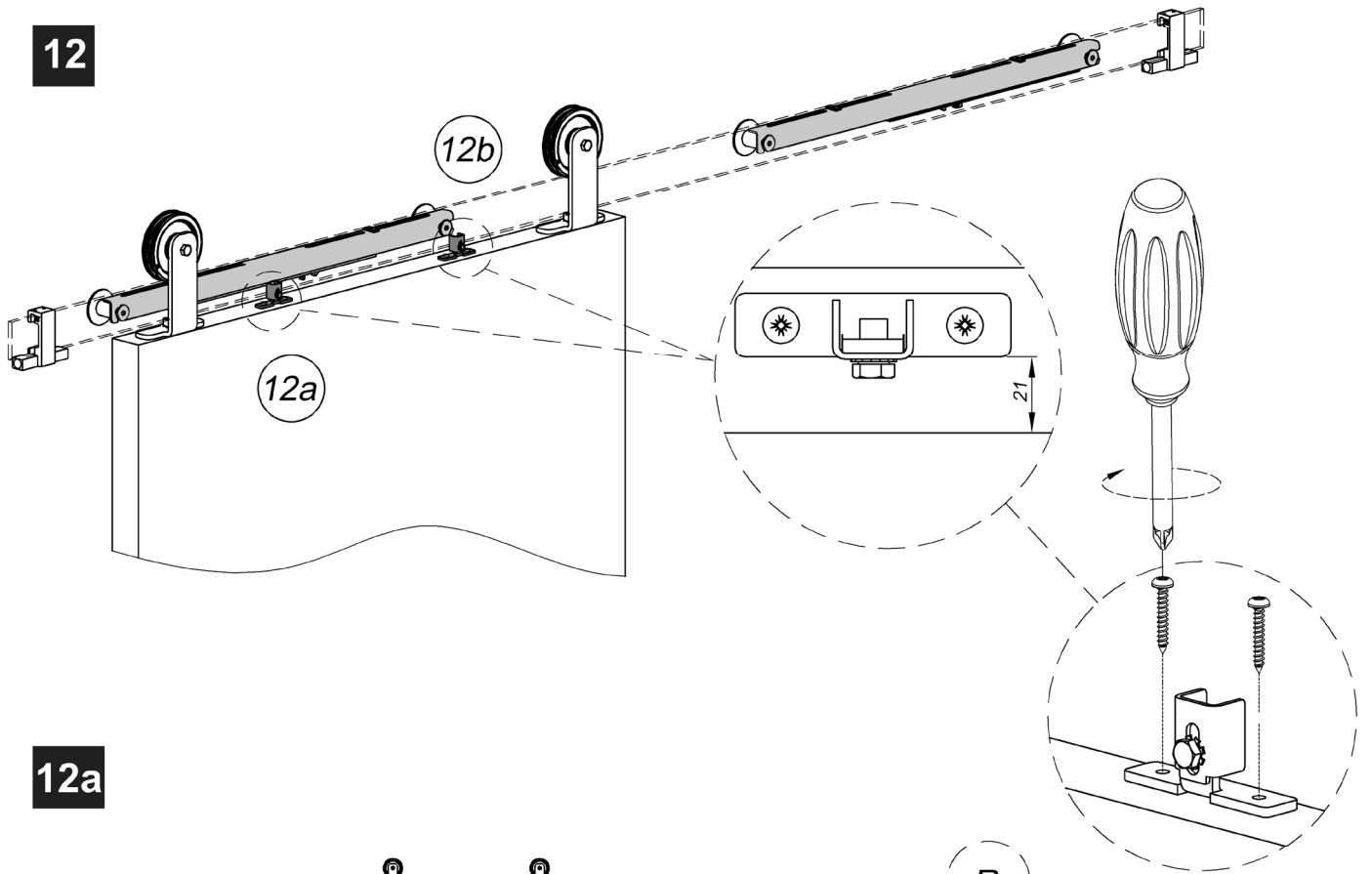


11

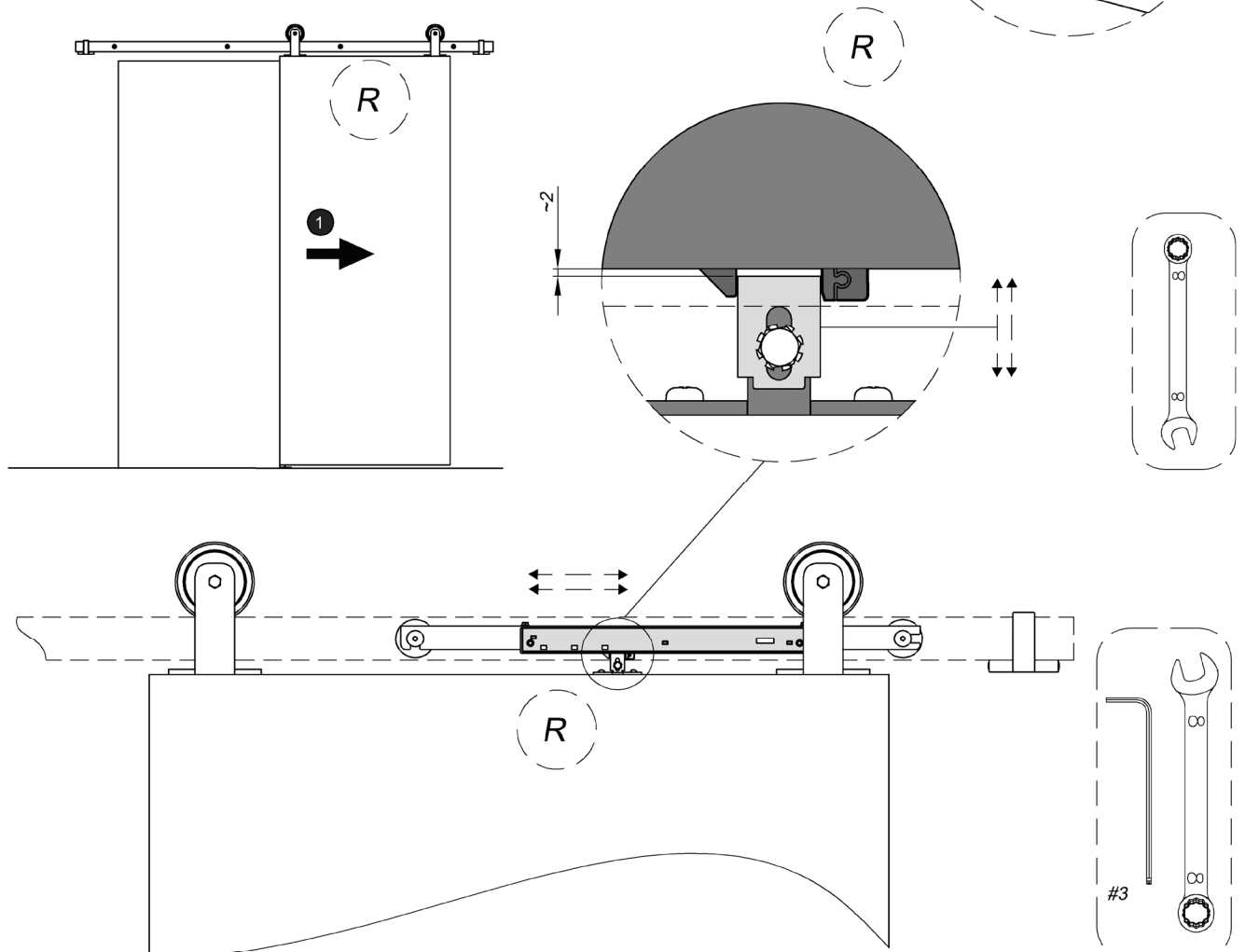




12



12a





12b

