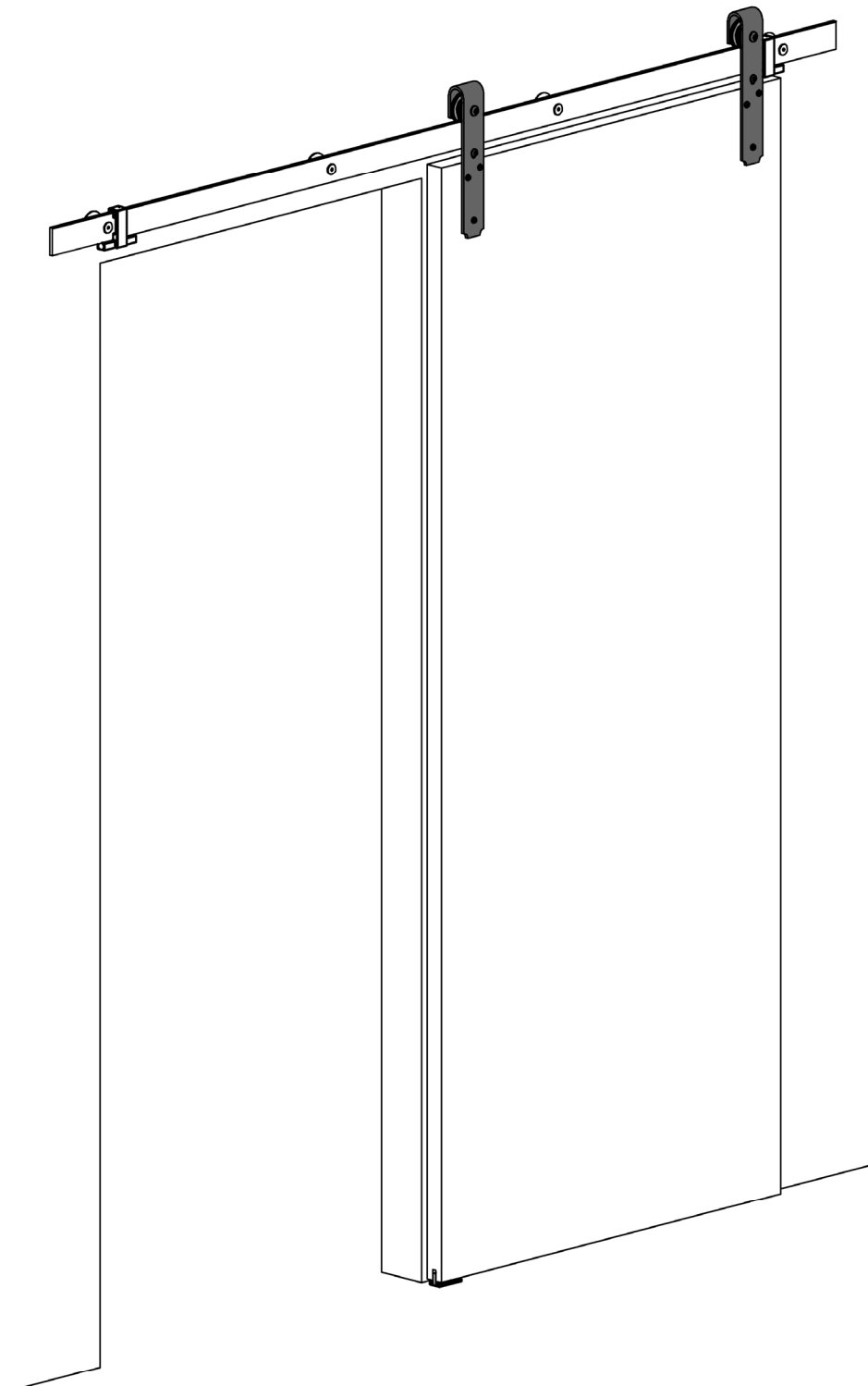
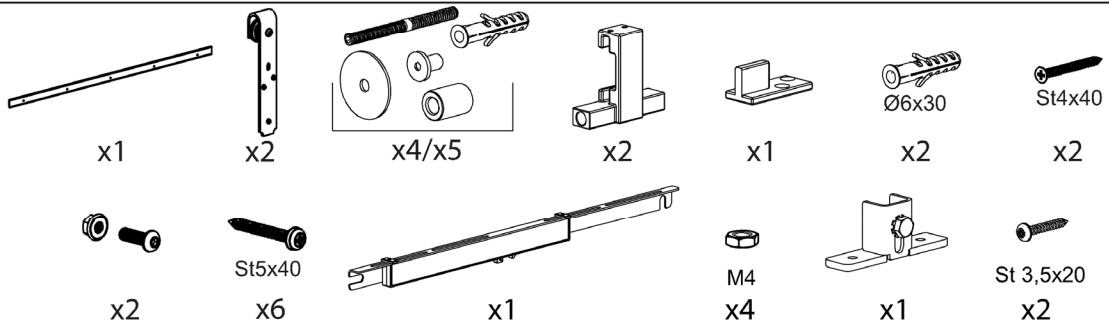




INSTRUCTION DE MONTAGE
MONTAGEANLEITUNG
INSTRUCTIONS FOR ASSEMBLY
INSTRUCCIONES DE MONTAJE

ROC DESIGN RD-C-B / RD-C-C



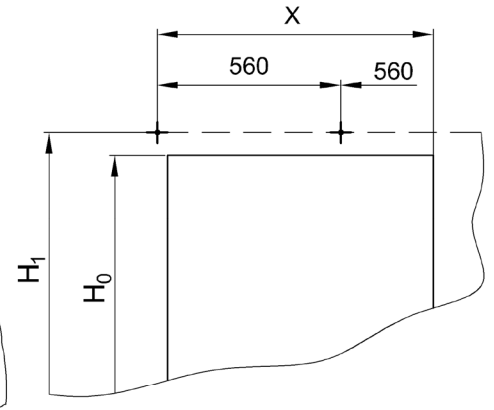
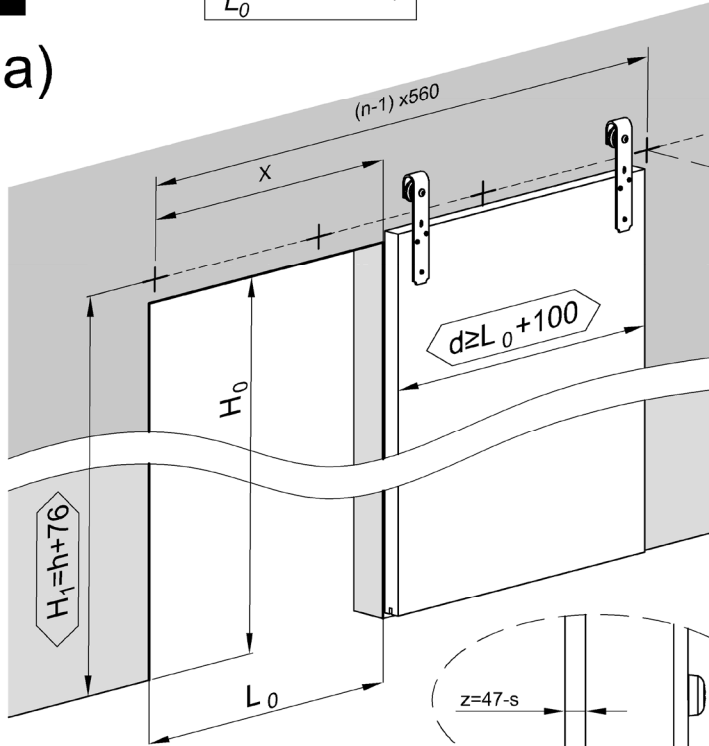


1

$$H_0 \Rightarrow d \text{ \& \& } H_1$$

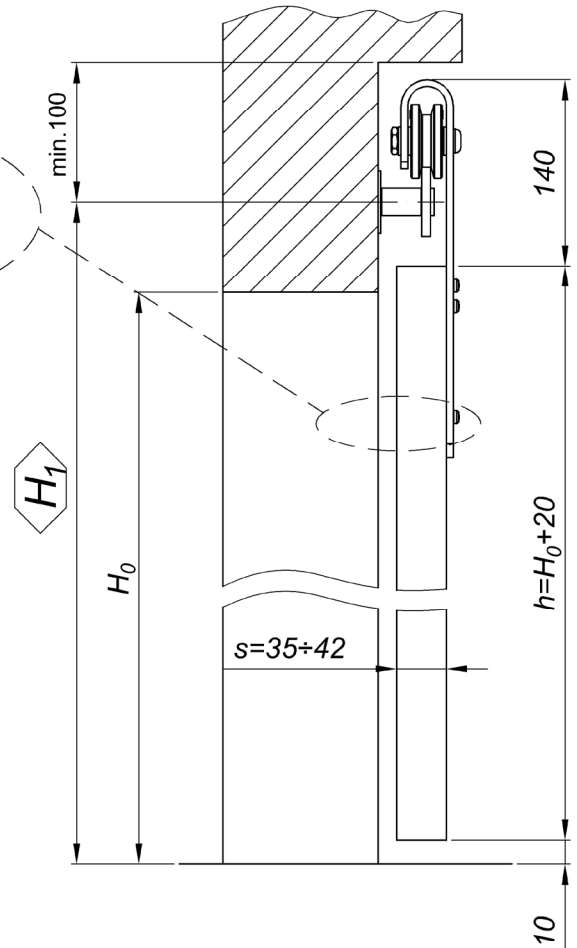
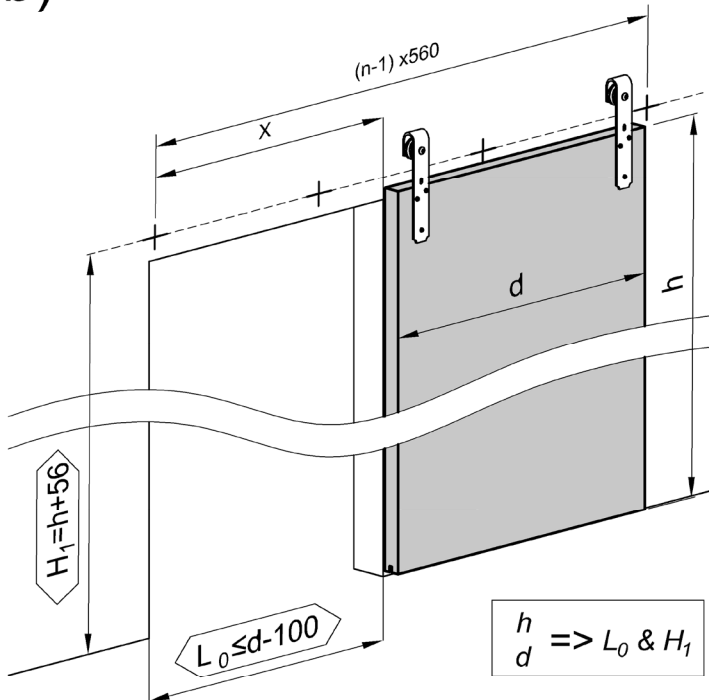
$$L_0$$

a)



L_{Track} [mm]	1950	2400	3000
X [mm]	840	1120	1400
n [szt]	4	5	6

b)

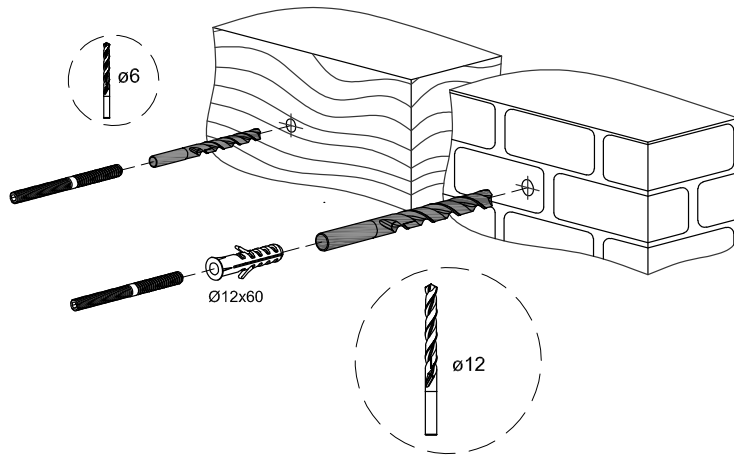
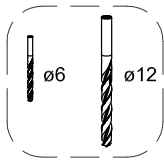


216-110
216-111

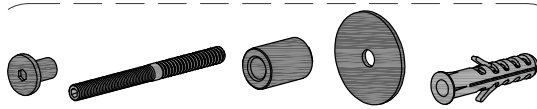
$H_1 = H_0 + 81$
 $H_1 = h + 61$



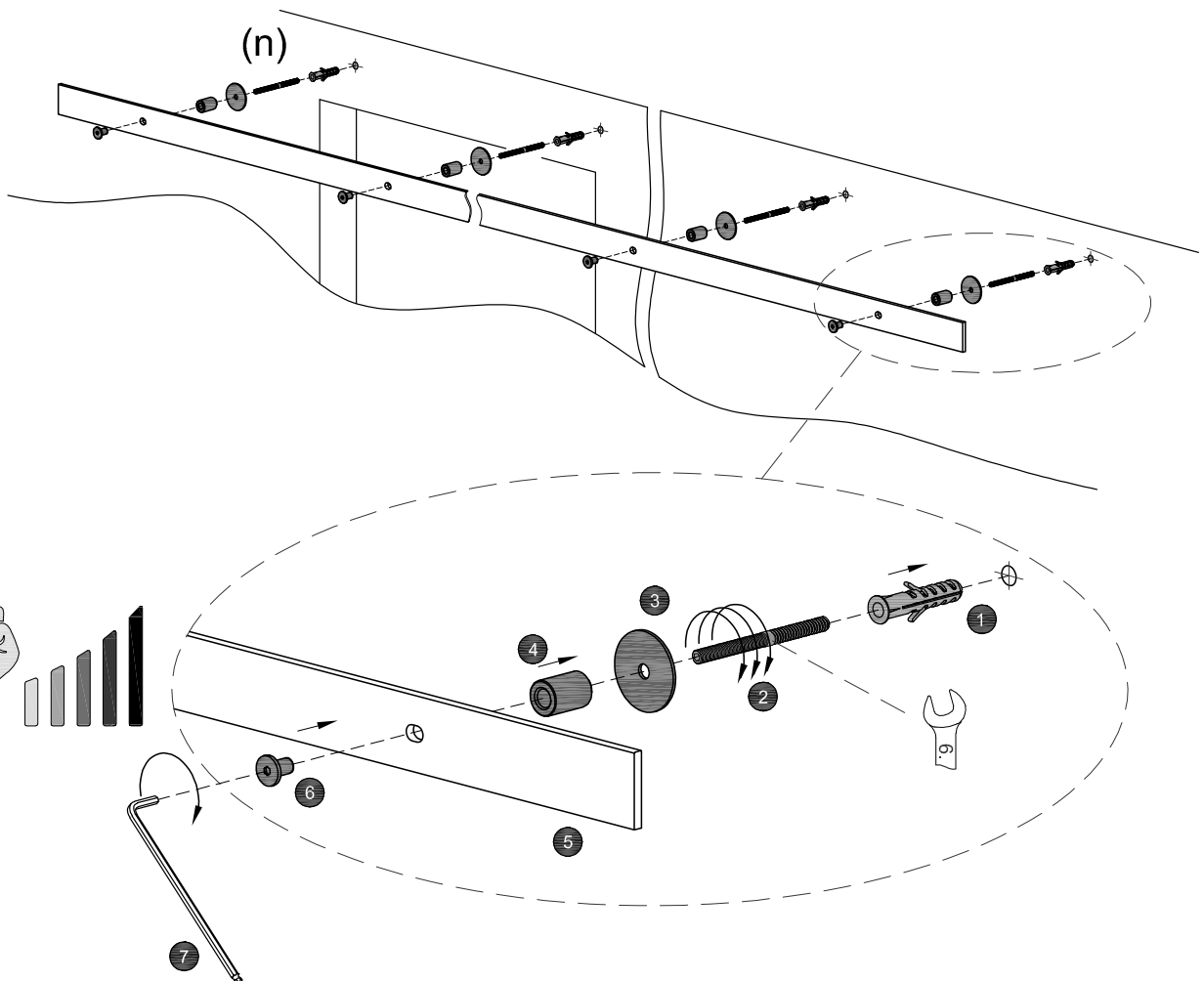
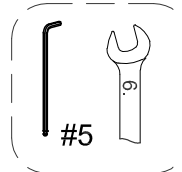
2



3



x4/x5 = n





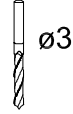
INSTRUCTION DE MONTAGE
MONTAGEANLEITUNG
INSTRUCTIONS FOR ASSEMBLY
INSTRUCCIONES DE MONTAJE

ROC DESIGN RD-C-B / RD-C-C

4



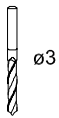
x6



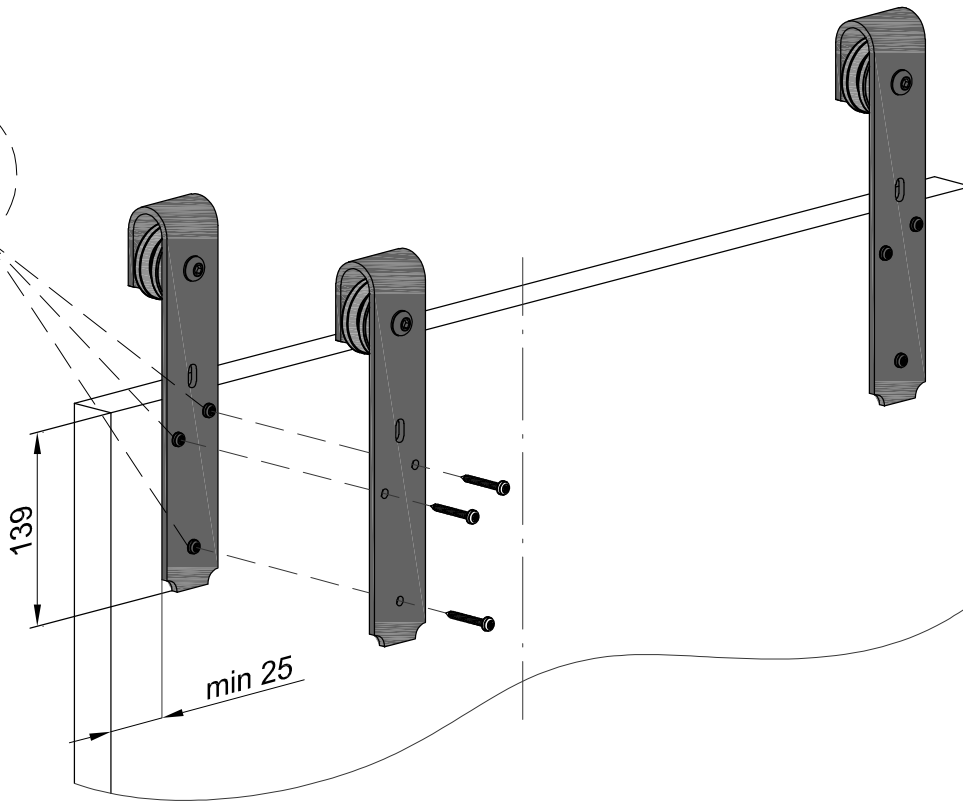
ø3



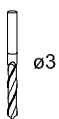
x6



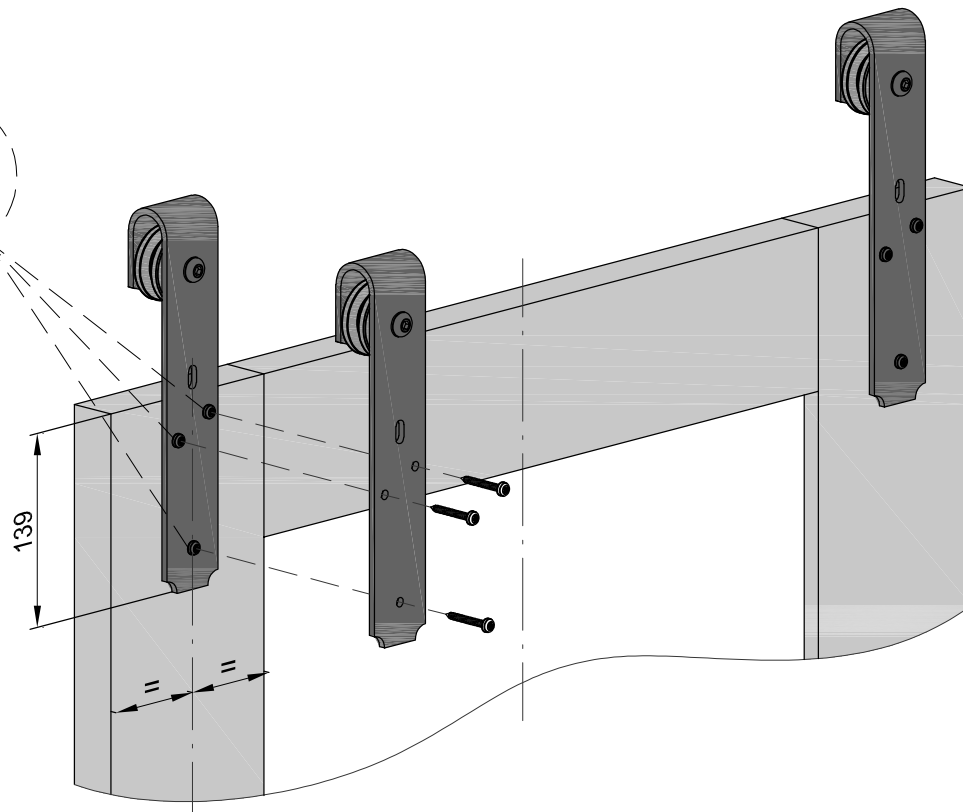
ø3



x6

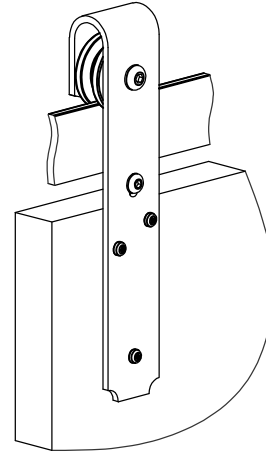
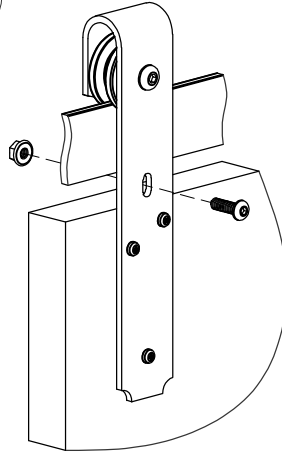
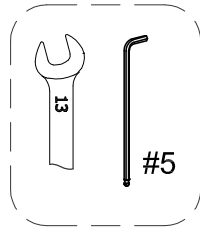
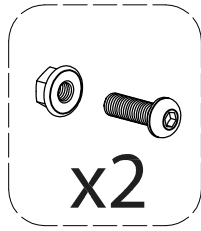


ø3

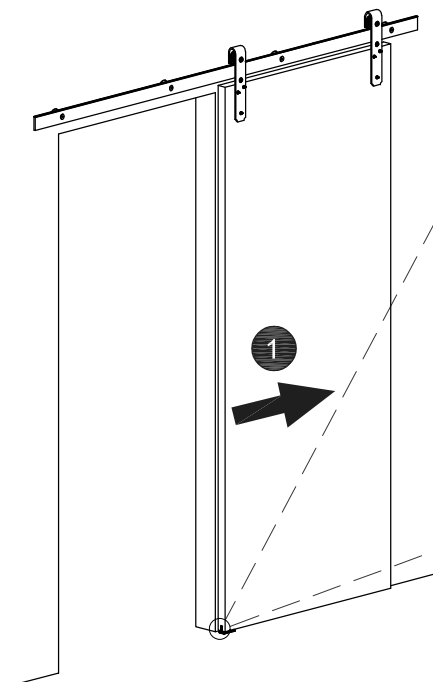
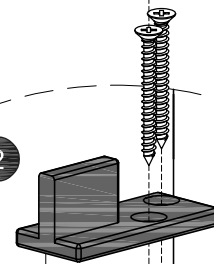
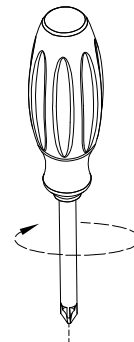
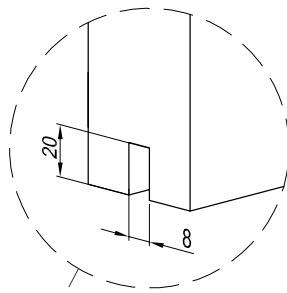
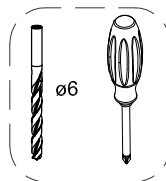
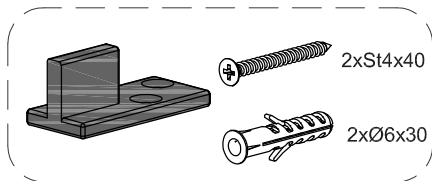




5



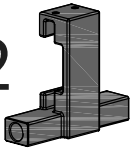
6



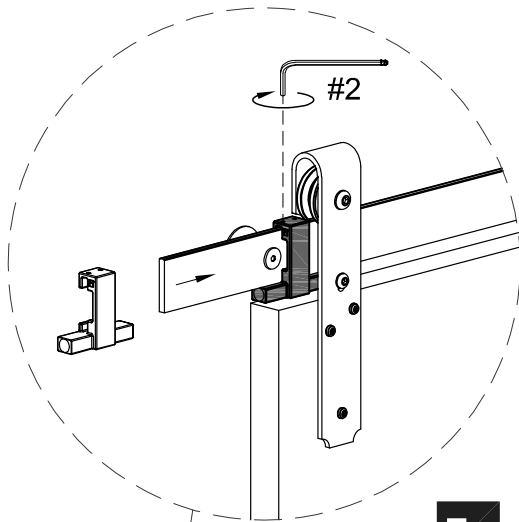
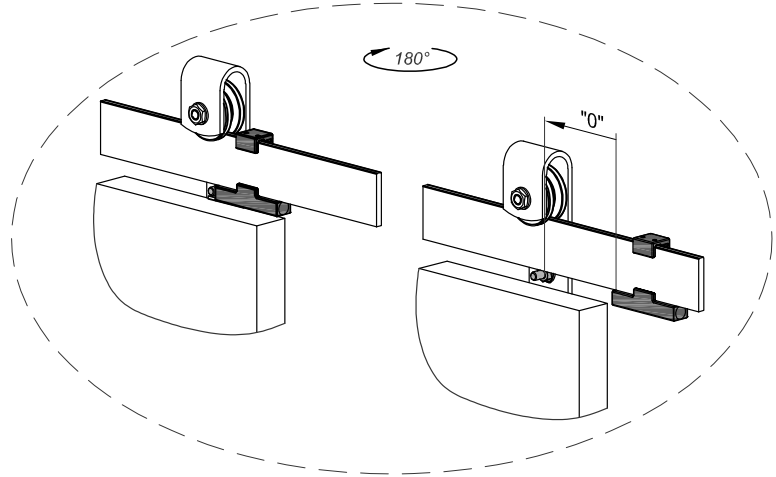
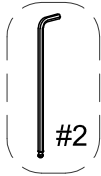


7

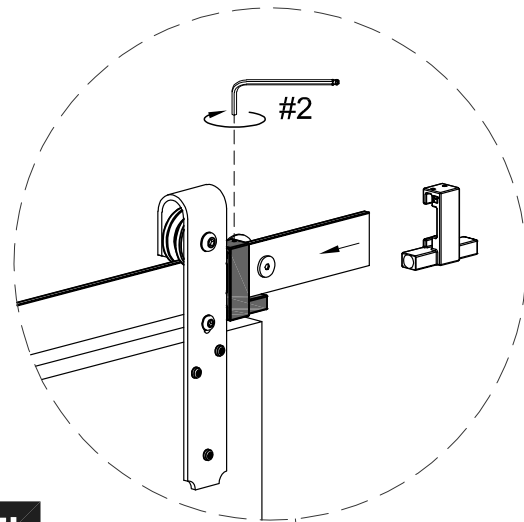
x2



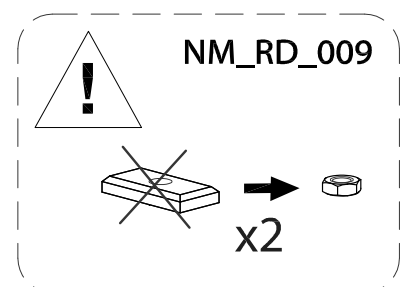
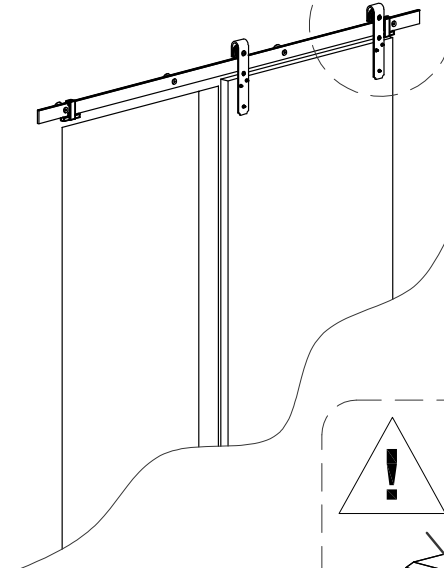
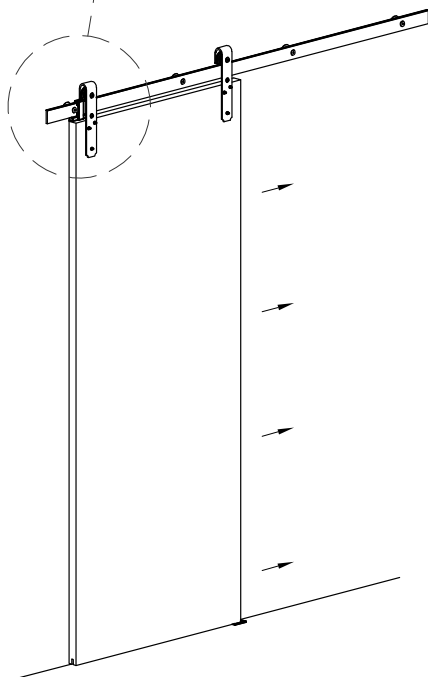
#2

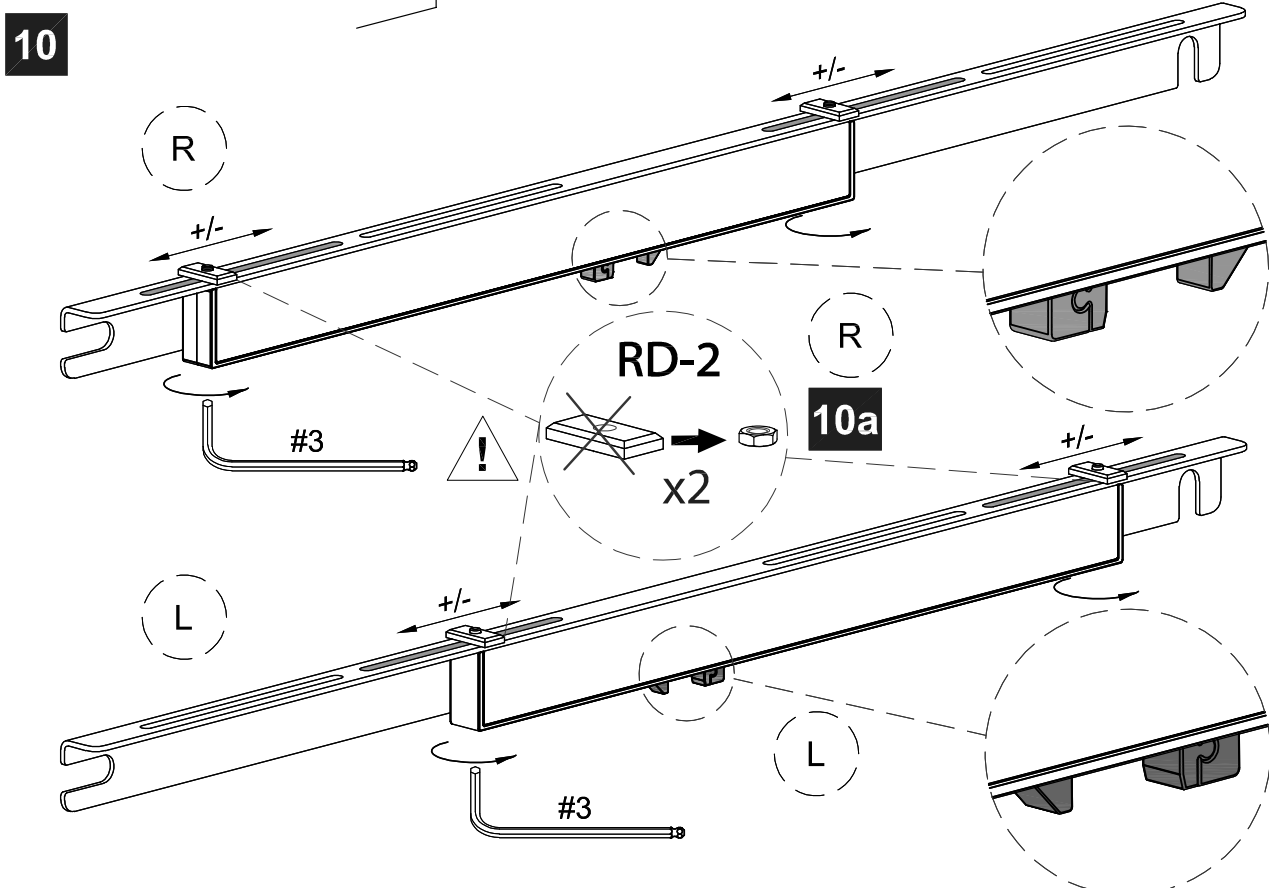
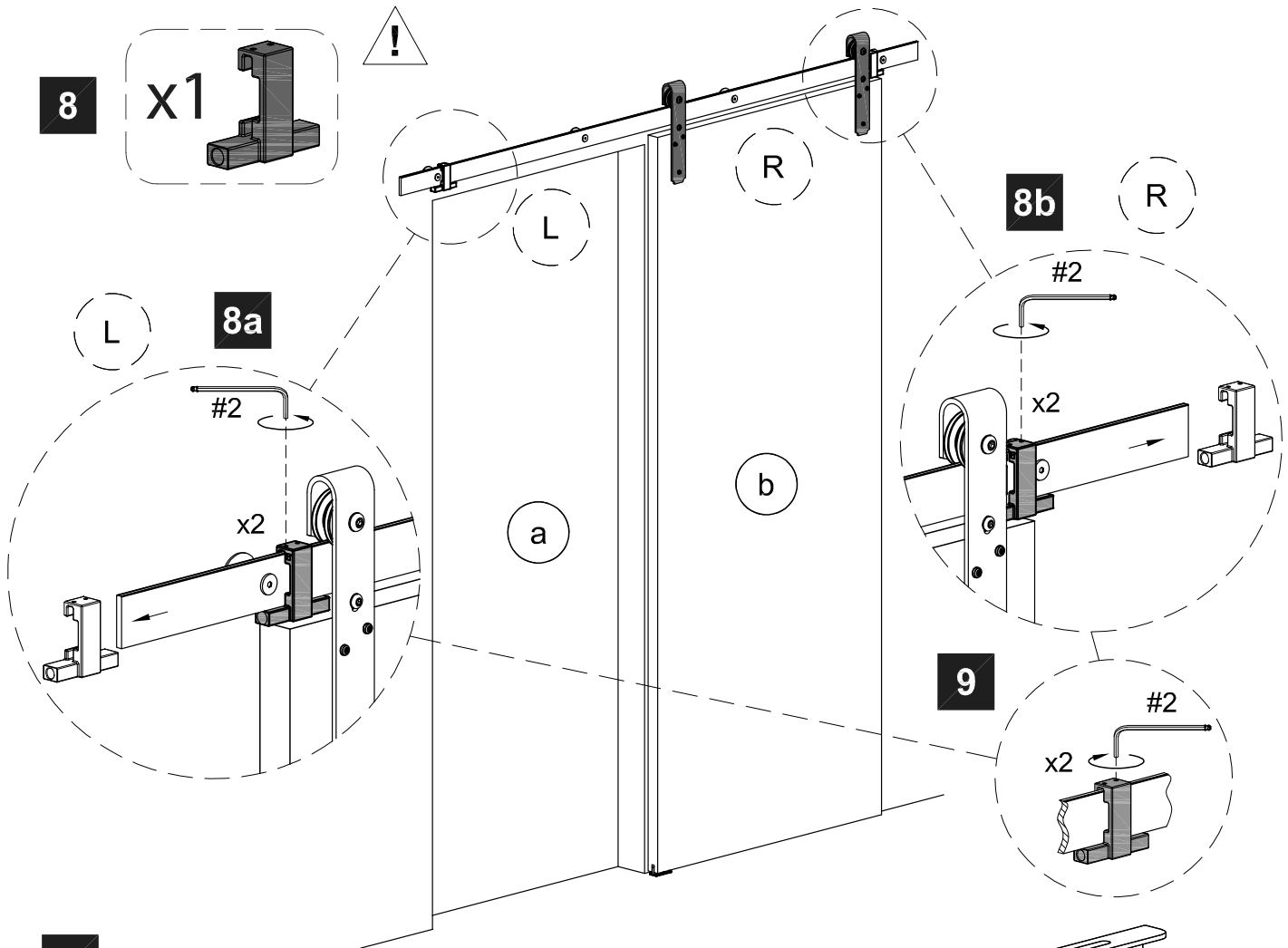


7a



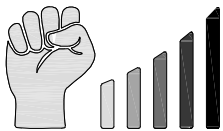
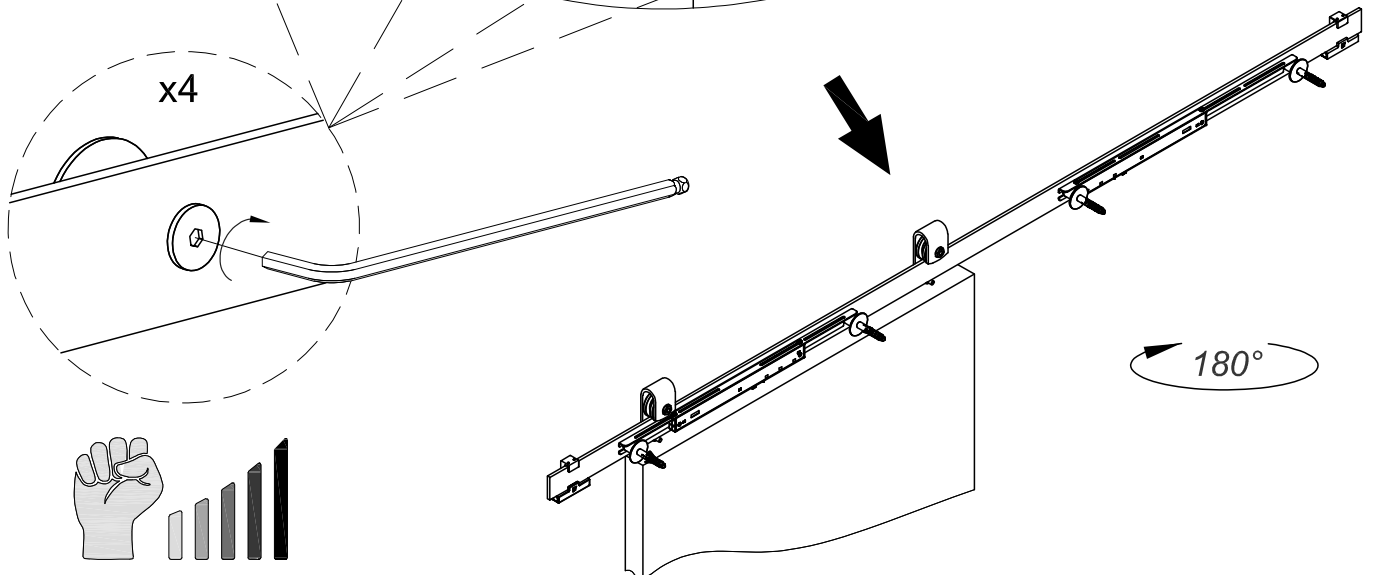
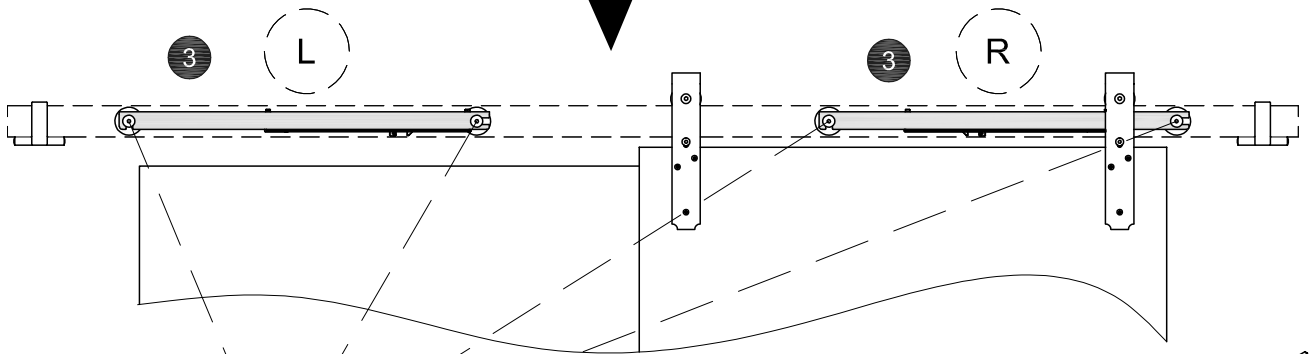
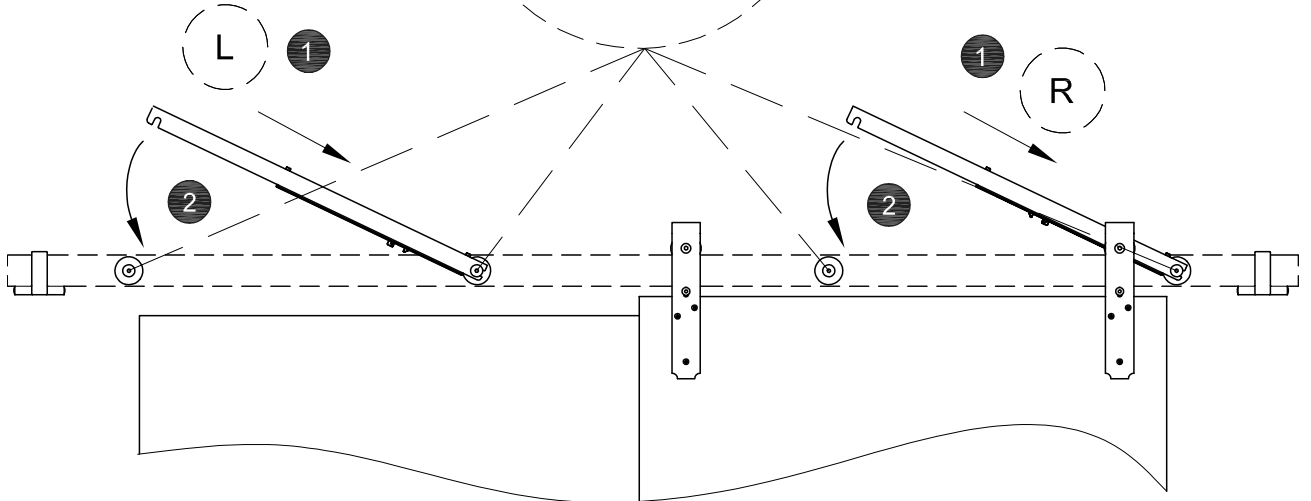
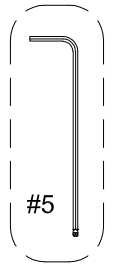
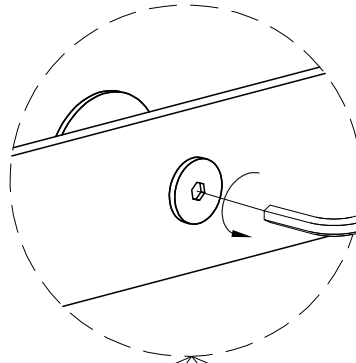
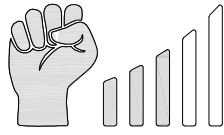
7b





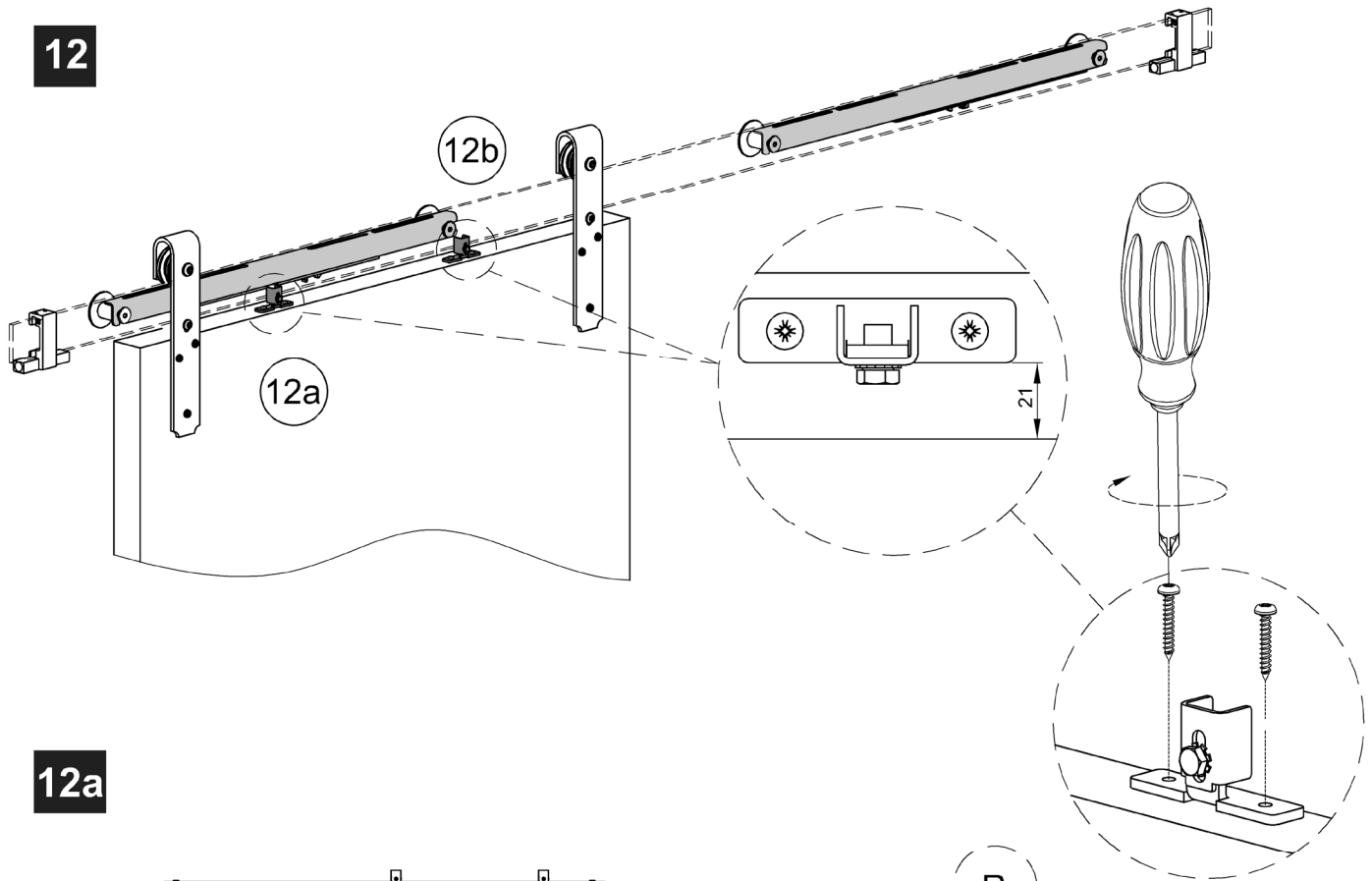


11

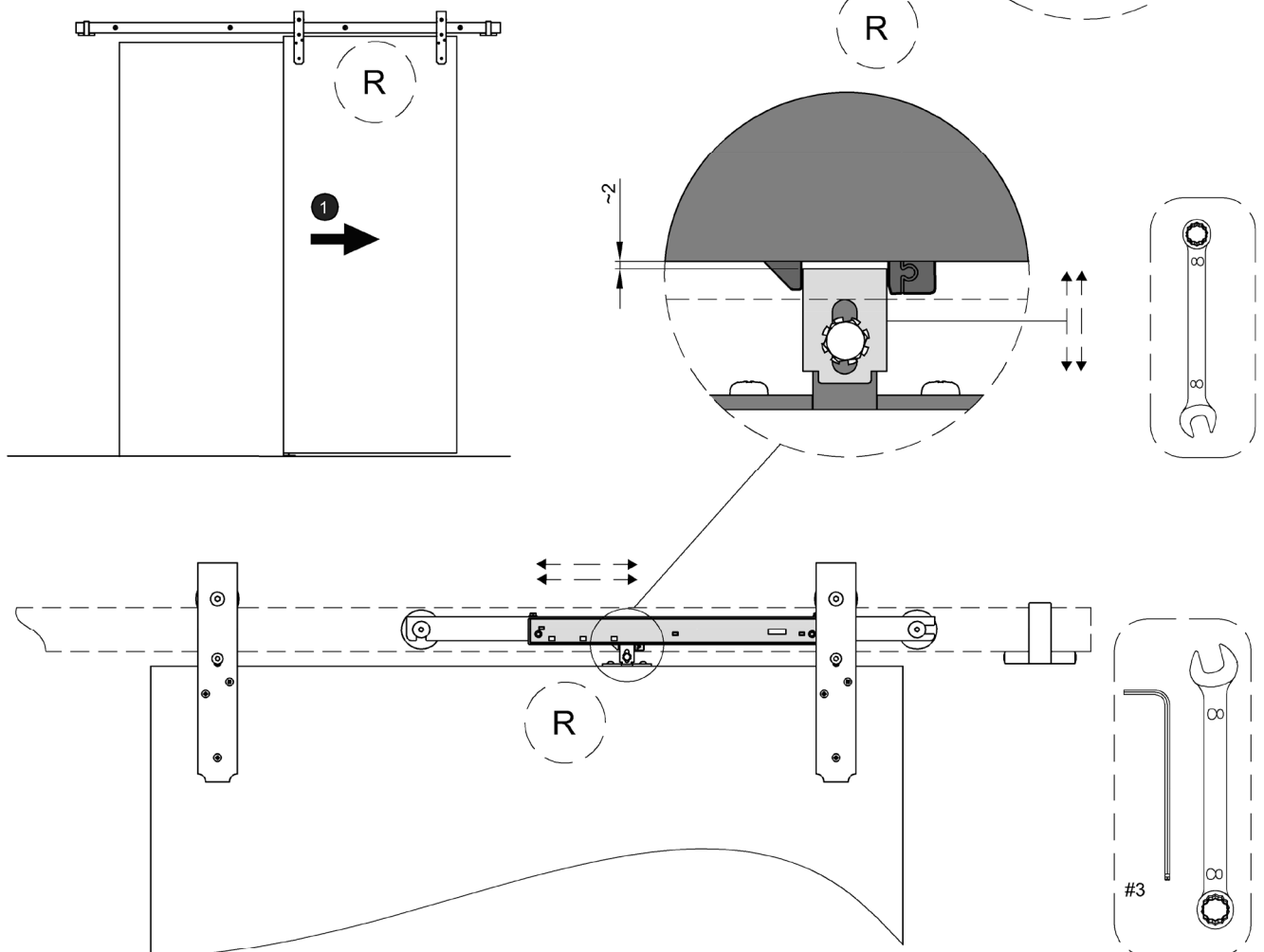




12



12a





12b

